

6 5 4 3 2 1

E E

D D

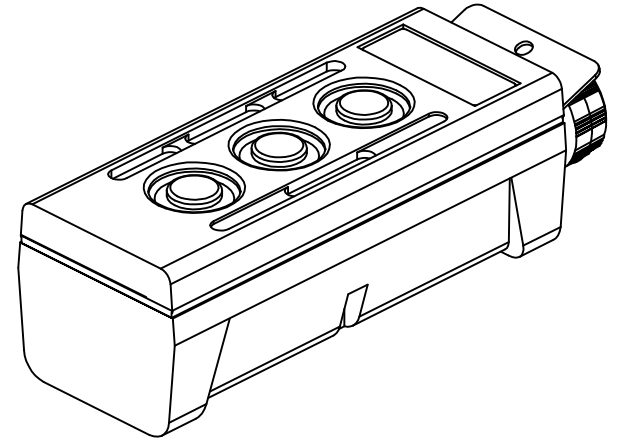
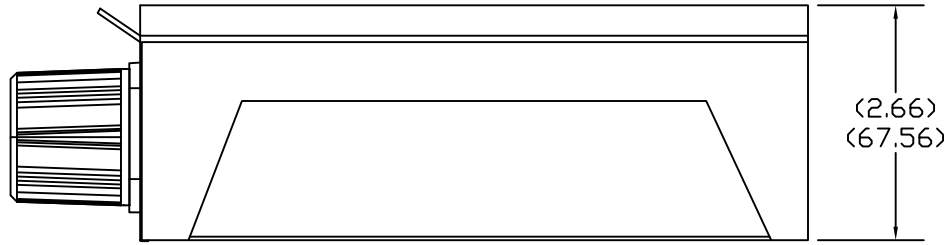
C C

B B

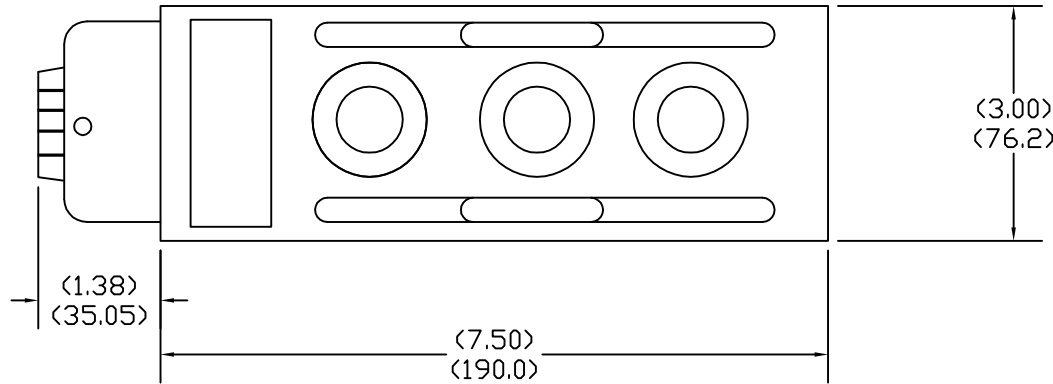
A A

6 5 4 3 2 1

SIDE VIEW



TOP VIEW



ENGINEERING NO. 4023	MATERIAL NO. SD-130126-011
-------------------------	-------------------------------

CUSTOMER DRAWING EC NO: WNA2008-0181 DRWN: TVICKERS 2008/04/03 CHKD: HK 2008/03/04 APPR: SZAFAR 2008/04/15	QUALITY SYMBOLS	GENERAL TOLERANCES (UNLESS SPECIFIED)	DIMENSION STYLE IN/MM	SCALE NTS	DESIGN UNITS INCH	THIRD ANGLE PROJECTION
	▽=0	4 PLACES ±----	mm INCH	DRAWN BY TV DATE 2008/03/04	INCH	MOLEX INCORPORATED
	∇=0	3 PLACES ±---- ±.005	mm INCH	CHECKED BY HK DATE 2008/03/04		
		2 PLACES ±---- ±.010	mm INCH	APPROVED BY SZ DATE 2008/03/04		
		1 PLACE ±---- ±.020	mm INCH	MATERIAL NO. 1301260207	DOCUMENT NO. SD-130126-011	SHEET NO. 1 OF 1
A	DESCRIPTION	ANGULAR ±.5°	SIZE A	THIS DRAWING CONTAINS INFORMATION THAT IS PROPRIETARY TO MOLEX INCORPORATED AND SHOULD NOT BE USED WITHOUT WRITTEN PERMISSION		

TITLE  
3-BUTTON STATION  
4023