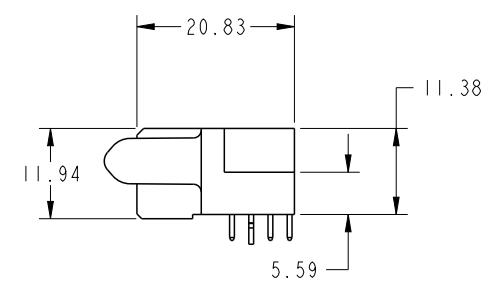
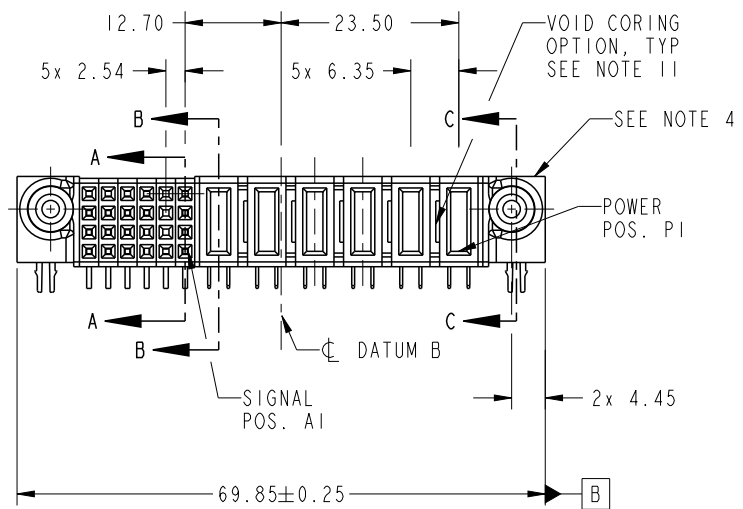


PRODUCT NO. 51772-033-- NOTE 3	ROWS D C B A	SIGNAL					POWER							
		E2	6	5	4	3	2	1	P6	P5	P4	P3	P2	P1
		H	H	H	H	X	H	PA	PA	PA	PA	PA	PA	
		G	G	G	G	X	G							
		F	F	F	X	X	F							
		E	E	E	X	E	E							



CODE	DIM "M" MATING LENGTH	CONTACT TYPE
PA	[1.07]	POWER
H	[N/A]	SIGNAL
G	[N/A]	SIGNAL
F	[N/A]	SIGNAL
E	[N/A]	SIGNAL
HA	[N/A]	HOLD-DOWN
X	OMITTED	



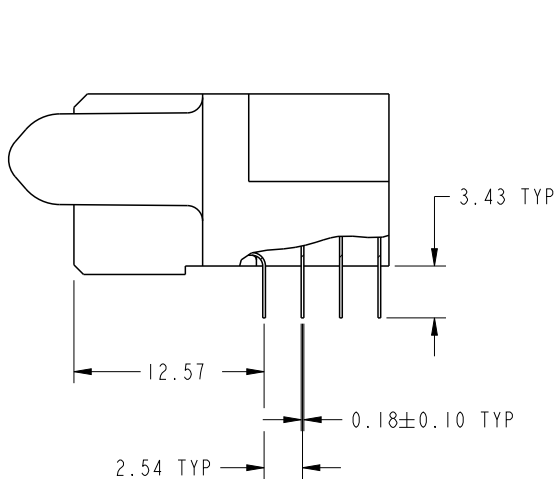
Copyright FCI.

spec ref		SEE NOTES		dr	De-Ming Lu	2014/04/29	projection 	MM ←→	size	A4	scale	1:1			
tolerance std		TOLERANCES UNLESS OTHERWISE SPECIFIED		eng	De-Ming Lu	2014/05/06			ecn no	-					
SEE NOTES				chr	-	-									
surface		linear	0.X ±0.50	appr	Pei-Ming Zheng	2014/05/06	product family		PwrBlade	rel level	Released				
			0.XX ±0.25	www.fci.com		title		6P + 24S		dwg no		51772-033		rev	
			0.XXX ±0.10												
		angular	0° ±2°												

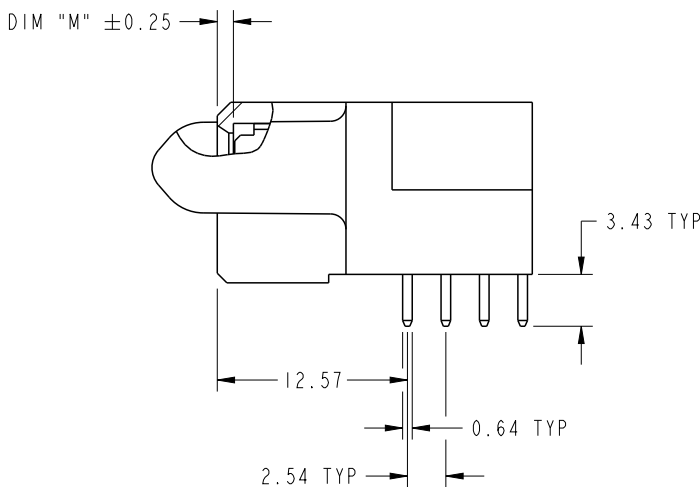
Prod File - REV C - 2009-06-09

PRODUCT NUMBER

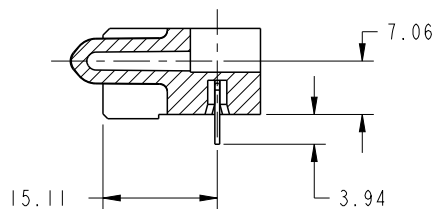
51772-033\_  
NOTE 3



BROKEN-OUT SECTION A-A  
SCALE 2:1



BROKEN-OUT SECTION B-B  
SCALE 2:1

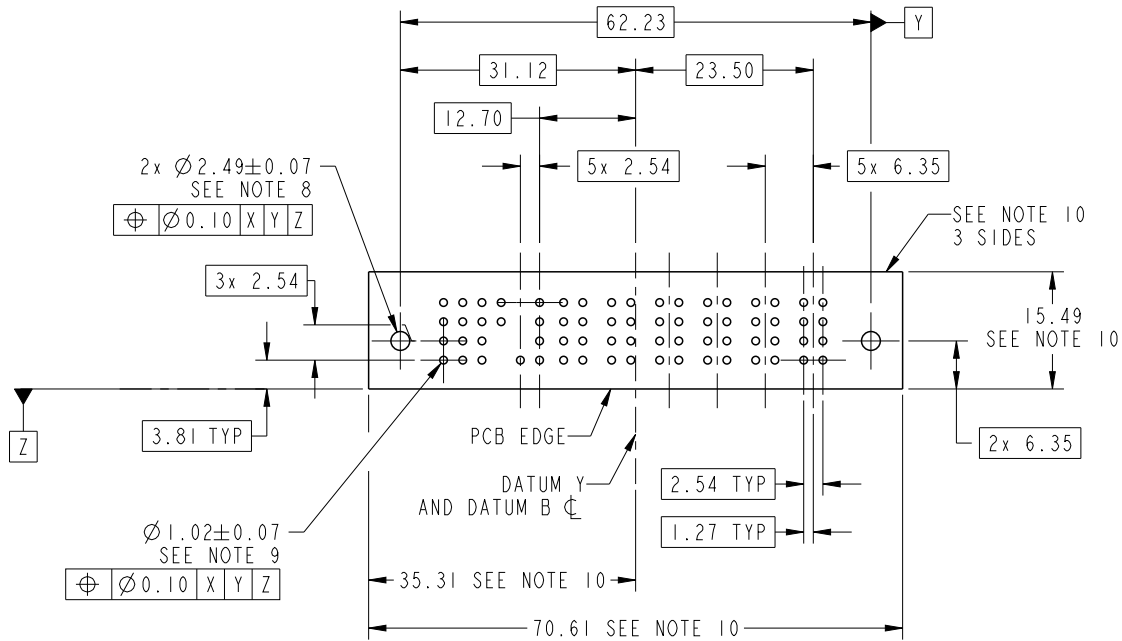


SECTION C-C

dr	De-Ming Lu	2014/04/29	projection 	MM ←————→	size	A4	scale	1:1
eng	De-Ming Lu	2014/05/06			ecn no	-		
chr	-	-			rel level	Released		
appr	Pei-Ming Zheng	2014/05/06	product family	PwrBlade	rev	A		
	title	6P + 24S R/A SOLDER RECEPTACLE		dwg no	51772-033			
www.fci.com	cat. no.	Product - Customer Drw			sheet 2 of 4			

PRODUCT NUMBER

51772-033\_  
NOTE 3



RECOMMENDED PCB LAYOUT

dr	De-Ming Lu	2014/04/29	projection 	MM 	size	A4	scale	1:1
eng	De-Ming Lu	2014/05/06			ecn no	-		
chr	-	-			rel level	Released		
appr	Pei-Ming Zheng	2014/05/06	product family	PwrBlade	rel level	Released		
	title	6P + 24S R/A SOLDER RECEPTACLE		dwg no	51772-033		rev	A
www.fci.com	cat. no.	Product - Customer Drw			sheet 3 of 4			

PRODUCT NUMBER

51772-033--  
NOTE 3

NOTES:

1. DIMENSIONS AND TOLERANCES ARE IN ACCORDANCE WITH ASME Y14.5M, 1994 UNLESS OTHERWISE SPECIFIED.

CONNECTOR NOTES:

- 2. HOUSING MATERIAL: UL 94 V-0 GLASS FILLED HIGH-TEMP THERMOPLASTIC  
POWER CONTACT MATERIAL: COPPER ALLOY  
SIGNAL PIN MATERIAL: COPPER ALLOY
- 3. SEE ITEM 5 & 6 IN PRINT 10064183 FOR PLATING SPEC OF 51772-033 AND 51772-033LF RESPECTIVELY.

4. MANUFACTURER'S NAME, DATE CODE AND OPTIONAL P/N TO APPEAR ON THIS SURFACE. THE MARK CAN BE OMITTED IF THERE IS NOT ENOUGH SPACE ON THIS SURFACE.

5. PRODUCT SPECIFICATION GS-12-149.  
APPLICATION SPECIFICATION BUS-20-067.

6. PACKAGED IN TRAYS.

PCB NOTES:

7. ALL HOLE DIAMETERS ARE FINISHED HOLE SIZE.

8. MOUNTING HOLES, WHERE APPLICABLE, ARE UNPLATED.

9.  $\varnothing 1.151 \pm 0.025$  DRILLED HOLES PLATED WITH  
0.008 MIN SnPb OR Sn OVER 0.03  
TO 0.08 Cu PLATING TO ACHIEVE  
 $\varnothing 1.02 \pm .07$  HOLE.

10. CONNECTOR KEEP-OUT ZONE.

11. THE VOID CORING IN BETWEEN POWER MODULES, SIGNAL MODULES AND END MODULES ARE OPTIONAL AND THE SHAPE MAY BE DIFFERENT FOR OPTIMIZE THE MOLDING PROCESS. THE VOID CORING WILL NOT EFFECT TO PRODUCT FUNCTION.

dr	De-Ming Lu	2014/04/29	projection 	MM 	size	A4	scale	1:1			
eng	De-Ming Lu	2014/05/06			ecn no	-					
chr	-	-			product family	PwrBlade	rel level	Released			
appr	Pei-Ming Zheng	2014/05/06			title	6P + 24S		dwg no	51772-033	rev	A
www.fci.com		cat. no.	Product - Customer Drw			sheet 4 of 4					



Copyright FCI.