

Product Specification

OC-3 LR-2/STM L-1.2 RoHS Compliant Pluggable SFP Transceiver

FTLF1523P1xTL

PRODUCT FEATURES

- 155 Mb/s bi-directional data links
- Hot-pluggable SFP footprint
- Built-in digital diagnostic functions
- Uncooled DFB 1550nm laser transmitter
- Duplex LC connector
- Very low jitter
- Metal enclosure, for lower EMI
- Single 3.3V power supply
- Low power dissipation <700mW typical
- Industrial operating temperature range: -40°C to 85°C



APPLICATIONS

- SONET OC-3 LR-2 / SDH STM L-1.2

Finisar's FTLF1523P1xTL Small Form Factor Pluggable (SFP) transceivers are compatible with the Small Form Factor Pluggable Multi-Sourcing Agreement (MSA)¹. They comply with SONET and SDH standards² at OC-3 LR-2/STM L-1.2. Digital diagnostics functions are available via the 2-wire serial bus specified in the SFP MSA. The optical transceiver is compliant per the RoHS Directive 2011/65/EU³. See Finisar Application Note AN-2038 for more details⁴.

PRODUCT SELECTION

FTLF1523P1xTL

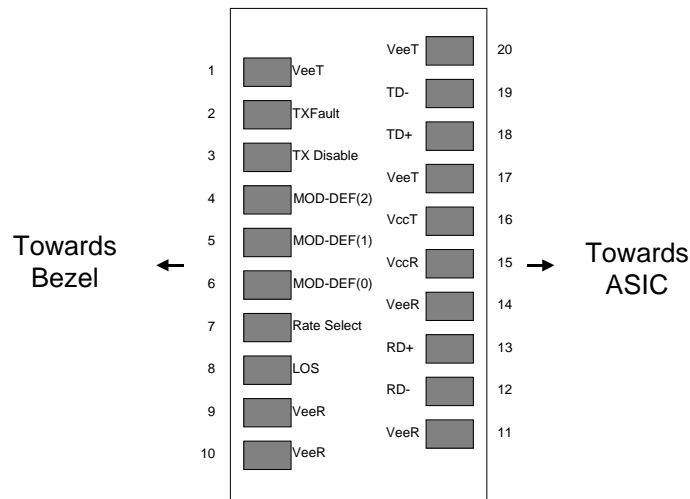
| | | |
|---|---|------------------------|
| x | W | Wide Extraction Bail |
| | B | Narrow Extraction Bail |

I. Pin Descriptions

| Pin | Symbol | Name/Description | Ref. |
|-----|--------------------|--|------|
| 1 | V _{EET} | Transmitter Ground (Common with Receiver Ground) | 1 |
| 2 | T _{FAULT} | Transmitter Fault. Not supported. | |
| 3 | T _{DIS} | Transmitter Disable. Laser output disabled on high or open. | 2 |
| 4 | MOD_DEF(2) | Module Definition 2. Data line for Serial ID. | 3 |
| 5 | MOD_DEF(1) | Module Definition 1. Clock line for Serial ID. | 3 |
| 6 | MOD_DEF(0) | Module Definition 0. Grounded within the module. | 3 |
| 7 | Rate Select | No connection required | 4 |
| 8 | LOS | Loss of Signal indication. Logic 0 indicates normal operation. | 5 |
| 9 | V _{EER} | Receiver Ground (Common with Transmitter Ground) | 1 |
| 10 | V _{EER} | Receiver Ground (Common with Transmitter Ground) | 1 |
| 11 | V _{EER} | Receiver Ground (Common with Transmitter Ground) | 1 |
| 12 | RD- | Receiver Inverted DATA out. AC Coupled. | |
| 13 | RD+ | Receiver Non-inverted DATA out. AC Coupled. | |
| 14 | V _{EER} | Receiver Ground (Common with Transmitter Ground) | 1 |
| 15 | V _{CCR} | Receiver Power Supply | |
| 16 | V _{CCT} | Transmitter Power Supply | |
| 17 | V _{EET} | Transmitter Ground (Common with Receiver Ground) | 1 |
| 18 | TD+ | Transmitter Non-Inverted DATA in. AC Coupled. | |
| 19 | TD- | Transmitter Inverted DATA in. AC Coupled. | |
| 20 | V _{EET} | Transmitter Ground (Common with Receiver Ground) | 1 |

Notes:

1. Circuit ground is internally isolated from chassis ground.
2. Laser output disabled on T_{DIS} >2.0V or open, enabled on T_{DIS} <0.8V.
3. Should be pulled up with 4.7k - 10kohms on host board to a voltage between 2.0V and 3.5V. MOD_DEF(0) pulls line low to indicate module is plugged in.
4. Finisar FTLF1523P1xTL transceivers operate without active control.
5. LOS is open collector output. Should be pulled up with 4.7k - 10kohms on host board to a voltage between 2.0V and 3.5V. Logic 0 indicates normal operation; logic 1 indicates loss of signal.



Pinout of Connector Block on Host Board

II. Absolute Maximum Ratings

| Parameter | Symbol | Min | Typ | Max | Unit | Ref. |
|----------------------------|-----------------|------|-----|-----|------|------|
| Maximum Supply Voltage | V _{CC} | -0.5 | | 4.5 | V | |
| Storage Temperature | T _S | -40 | | 100 | °C | |
| Case Operating Temperature | T _{OP} | -40 | | 85 | °C | |
| Relative Humidity | RH | 0 | | 85 | % | 1 |

III. Electrical Characteristics (T_{OP} = -40 to 85 °C, V_{CC} = 3.10 to 3.50 Volts)

| Parameter | Symbol | Min | Typ | Max | Unit | Ref. |
|--------------------------------|------------------------|-----------------------|-----|-----------------------|------|------|
| Supply Voltage | V _{CC} | 3.10 | | 3.50 | V | |
| Supply Current | I _{CC} | | | 300 | mA | |
| Transmitter | | | | | | |
| Input differential impedance | R _{in} | | 100 | | Ω | 2 |
| Single ended data input swing | V _{in,pp} | 250 | | 1200 | mV | |
| Transmit Disable Voltage | V _D | V _{CC} - 1.3 | | V _{CC} | V | |
| Transmit Enable Voltage | V _{EN} | V _{EE} | | V _{EE} + 0.8 | V | 3 |
| Transmit Disable Assert Time | | | | 10 | μs | |
| Receiver | | | | | | |
| Single ended data output swing | V _{out,pp} | 300 | 400 | 800 | mV | 4 |
| Data rise/fall time | t _r | | 400 | 1300 | ps | 5 |
| LOS Fault | V _{LOS fault} | V _{CC} - 0.5 | | V _{CC,HOST} | V | 6 |
| LOS Normal | V _{LOS norm} | V _{EE} | | V _{EE} +0.5 | V | 6 |
| Power Supply Rejection | PSR | 100 | | | mVpp | 7 |

Notes:

1. Non condensing.
2. AC coupled.
3. Or open circuit.
4. Into 100 ohm differential termination.
5. 20 – 80 %
6. Loss Of Signal is LVTTTL. Logic 0 indicates normal operation; logic 1 indicates no signal detected.
7. All transceiver specifications are compliant with a power supply sinusoidal modulation of 20 Hz to 1.5 MHz up to specified value applied through the power supply filtering network shown on page 23 of the Small Form-factor Pluggable (SFP) Transceiver MultiSource Agreement (MSA), September 14, 2000. Valid on receive side for input powers within receive sensitivity.

IV. Optical Characteristics (T_{OP} = -40 to 85 °C, V_{CC} = 3.10 to 3.50 Volts)

| Parameter | Symbol | Min | Typ | Max | Unit | Ref. |
|---------------------------------|---------------------------------|------|-----|-------|-------|------|
| Transmitter | | | | | | |
| Output Opt. Pwr: 9/125 SMF | P _{OUT} | -5 | | 0 | dBm | 1 |
| Optical Wavelength | λ | 1480 | | 1580 | nm | |
| Spectral Width (-20 dB) | σ | | | 1 | nm | |
| Optical Extinction Ratio | ER | 10 | | | dB | |
| Optical Rise/Fall Time | t _r / t _f | | | 1300 | ps | 2 |
| Relative Intensity Noise | RIN | | | -120 | dB/Hz | |
| Generated Jitter (peak to peak) | J _{TXP-P} | | | 0.07 | UI | 3 |
| Generated Jitter (rms) | J _{TXrms} | | | 0.007 | UI | 3 |
| Mask Margin | | | 20% | | | |
| Receiver | | | | | | |
| Average Rx Sensitivity | R _{SENS1} | -34 | | -10 | dBm | 4 |
| Maximum Input Power | P _{MAX} | -10 | | | dBm | |
| Optical Center Wavelength | λ _C | 1260 | | 1600 | nm | |
| LOS De-Assert | LOS _D | | | -34 | dBm | |
| LOS Assert | LOS _A | -48 | | | dBm | |
| LOS Hysteresis | | 0.5 | | | dB | |
| Max Receiver Reflectance | R _{X_R} | | | -25 | dB | |

Notes:

1. Class 1 Laser Safety per FDA/CDRH and EN (IEC) 60825 regulations.
2. Unfiltered, 20-80%
3. Jitter measurements taken using Agilent OMNIBERT 718 in accordance with GR-253.
4. With worst-case extinction ratio. Measured with a PRBS 2²³-1 test pattern.

V. General Specifications

| Parameter | Symbol | Min | Typ | Max | Units | Ref. |
|---|------------|-----|-----|------------|--------|------|
| Data Rate | BR | 155 | | 155 | Mb/sec | 1 |
| Bit Error Rate | BER | | | 10^{-12} | | 2 |
| Max. Supported Link Length on 9/125 μ m SMF @ OC-12 | L_{MAX4} | | 80 | | km | 3 |

Notes:

1. Compliant with SONET and SDH at the OC-12 LR-2/STM L-4.2.
2. Tested with a PRBS $2^{23}-1$ test pattern.
3. Attenuation of 0.275 dB/km is used for the link length calculations (per GR-253 CORE). Distances are indicative only. Please refer to the Optical Specifications in Table IV to calculate a more accurate link budget based on specific conditions in your application.

VI. Environmental Specifications

Finisar 1550nm SFP transceivers have an industrial operating temperature range from -40°C to $+85^{\circ}\text{C}$ case temperature.

| Parameter | Symbol | Min | Typ | Max | Units | Ref. |
|----------------------------|-----------|-----|-----|-----|--------------------|------|
| Case Operating Temperature | T_{op} | -40 | | 85 | $^{\circ}\text{C}$ | |
| Storage Temperature | T_{sto} | -40 | | 100 | $^{\circ}\text{C}$ | |

VII. Regulatory Compliance

Finisar transceivers are Class 1 Laser Products and comply with US FDA regulations. These products are certified by TÜV and CSA to meet the Class 1 eye safety requirements of EN (IEC) 60825 and the electrical safety requirements of EN (IEC) 60950. Copies of certificates are available at Finisar Corporation upon request.

VIII. Digital Diagnostic Functions

Finisar FTLF1522P1xTL SFP transceivers support the 2-wire serial communication protocol as defined in the SFP MSA¹. It is very closely related to the E²PROM defined in the GBIC standard, with the same electrical specifications.

The standard SFP serial ID provides access to identification information that describes the transceiver's capabilities, standard interfaces, manufacturer, and other information.

Additionally, Finisar SFP transceivers provide a unique enhanced digital diagnostic monitoring interface, which allows real-time access to device operating parameters such as transceiver temperature, laser bias current, transmitted optical power, received optical power and transceiver supply voltage. It also defines a sophisticated system of alarm and warning flags, which alerts end-users when particular operating parameters are outside of a factory-set normal range.

The SFP MSA defines a 256-byte memory map in E²PROM that is accessible over a 2-wire serial interface at the 8 bit address 1010000X (A0h). The digital diagnostic monitoring interface makes use of the 8 bit address 1010001X (A2h), so the originally defined serial ID memory map remains unchanged. The interface is identical to, and is thus fully backward compatible with both the GBIC Specification and the SFP Multi Source Agreement. The complete interface is described in Finisar Application Note AN-2030: "Digital Diagnostics Monitoring Interface for SFP Optical Transceivers".

The operating and diagnostics information is monitored and reported by a Digital Diagnostics Transceiver Controller (DDTC) inside the transceiver, which is accessed through a 2-wire serial interface. When the serial protocol is activated, the serial clock signal (SCL, Mod Def 1) is generated by the host. The positive edge clocks data into the SFP transceiver into those segments of the E²PROM that are not write-protected. The negative edge clocks data from the SFP transceiver. The serial data signal (SDA, Mod Def 2) is bi-directional for serial data transfer. The host uses SDA in conjunction with SCL to mark the start and end of serial protocol activation. The memories are organized as a series of 8-bit data words that can be addressed individually or sequentially.

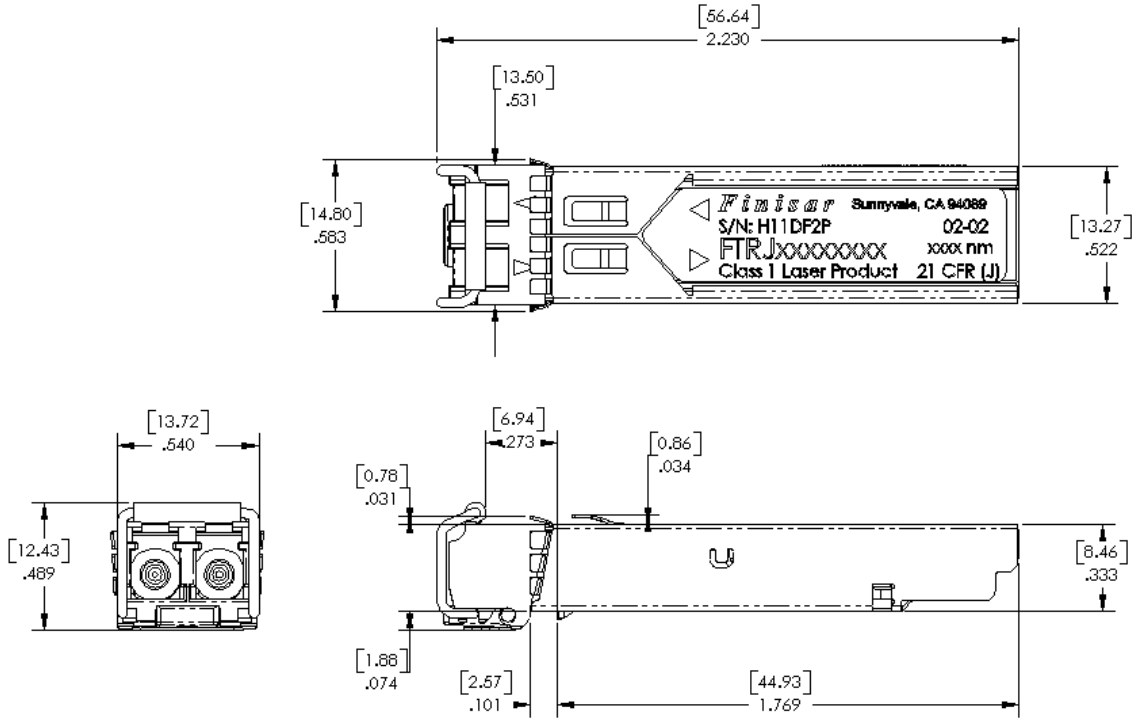
For more information, please see the SFP MSA documentation¹ or Finisar Application Note AN-2030.

Digital diagnostics for the FTLF1523P1xTL are externally calibrated by default.

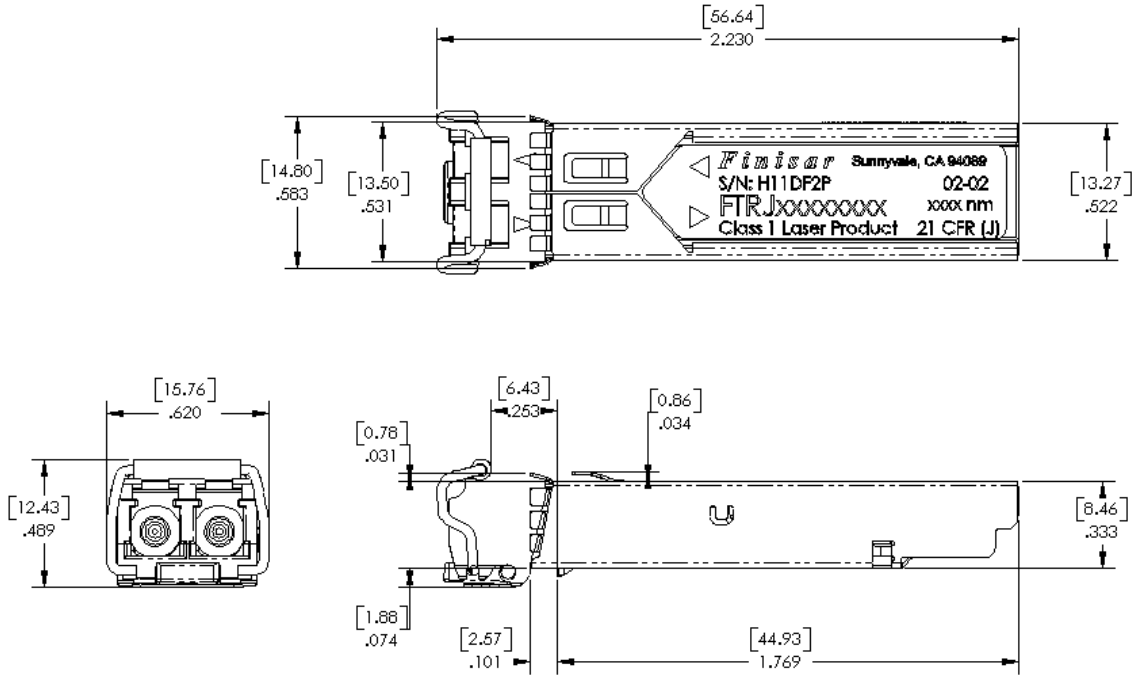
Please note that evaluation board FDB-1018 is available with Finisar ModDEMO software that allows simple to use communication over the 2-wire serial interface.

IX. Mechanical Specifications

Finisar’s Small Form Factor Pluggable (SFP) transceivers are compatible with the dimensions defined by the SFP Multi-Sourcing Agreement (MSA)³.

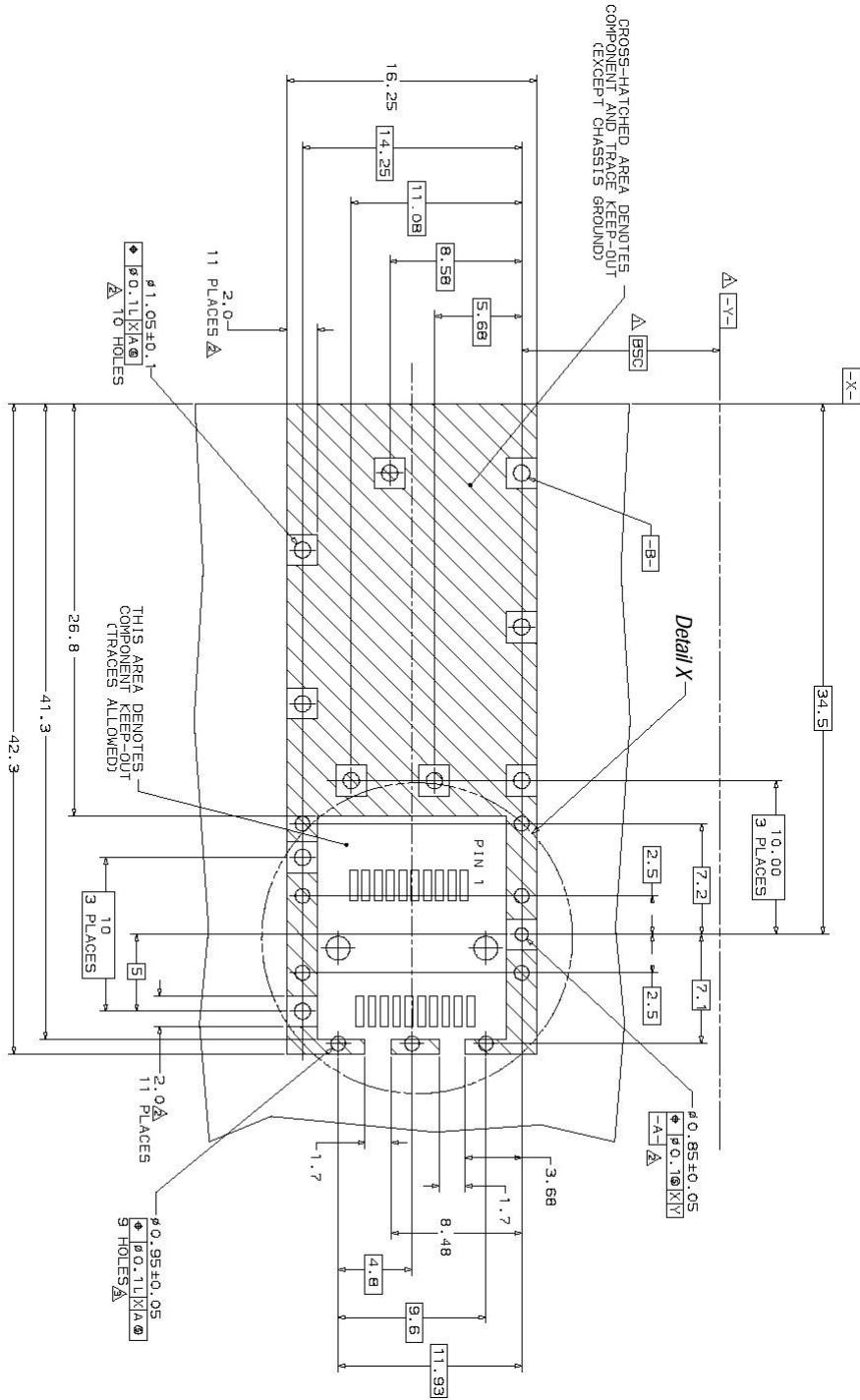


FTLF1522P1BTL

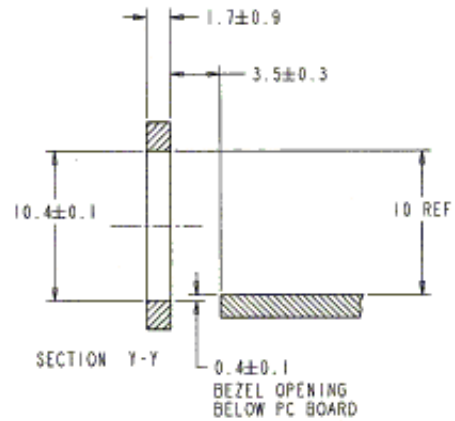
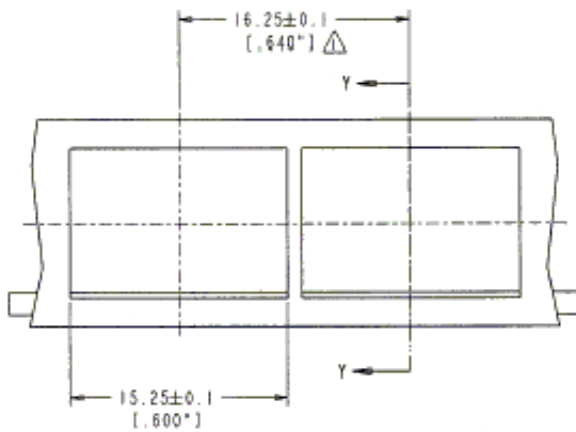
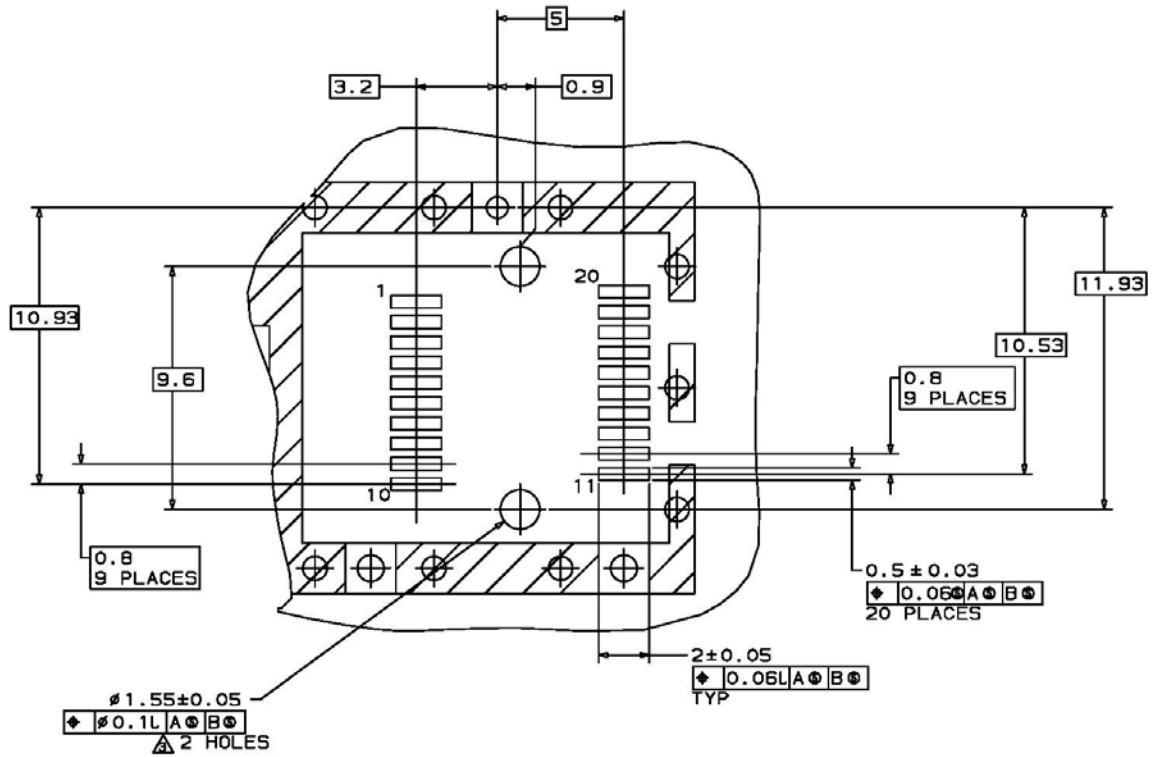


FTLF1522P1WTL

X. PCB Layout and Bezel Recommendations



- △ Datum and Basic Dimension Established by Customer
- △ Pads and Vias are Chassis Ground, 11 Places
- △ Through Holes are Unplated



NOTES:

1. MINIMUM PITCH ILLUSTRATED, ENGLISH DIMENSIONS ARE FOR REFERENCE ONLY

2. NOT RECOMMENDED FOR PCI EXPANSION CARD APPLICATIONS

XI. References

1. Small Form Factor Pluggable (SFP) Transceiver Multi-Source Agreement (MSA), September 2000. Documentation is currently available at Finisar upon request.
2. Bellcore GR-253 and ITU-T G.957 Specifications.\
3. Directive 2011/65/EU of the European Council Parliament and of the Council, “on the restriction of the use of certain hazardous substances in electrical and electronic equipment”. Certain products may use one or more exemptions as allowed by the Directive.
4. “Application Note AN-2038: Finisar Implementation of RoHS Compliant Transceivers”.

XII. For More Information

Finisar Corporation
1389 Moffett Park Drive
Sunnyvale, CA 94089-1133
Tel. 1-408-548-1000
Fax 1-408-541-6138
sales@finisar.com
www.finisar.com