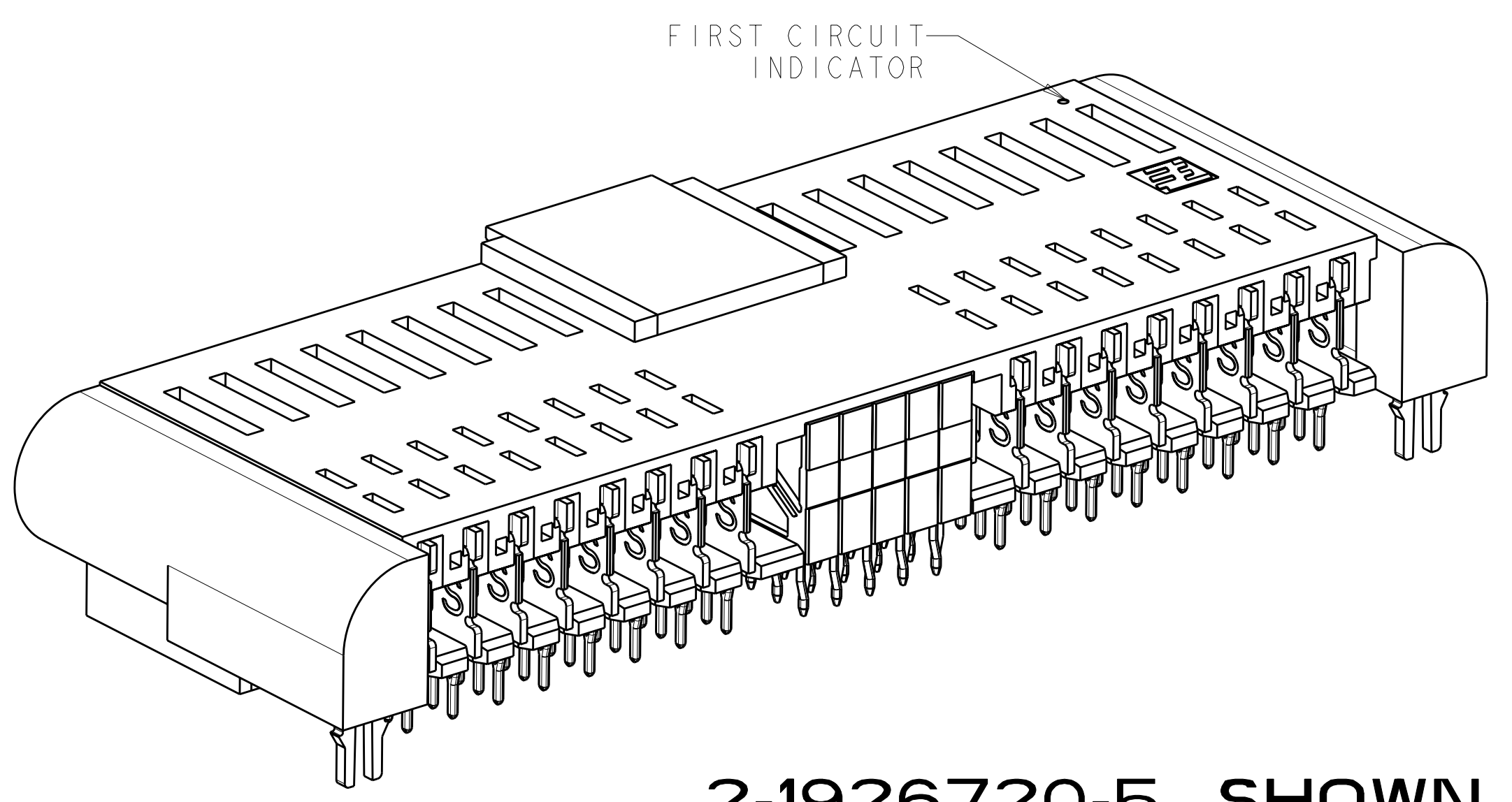
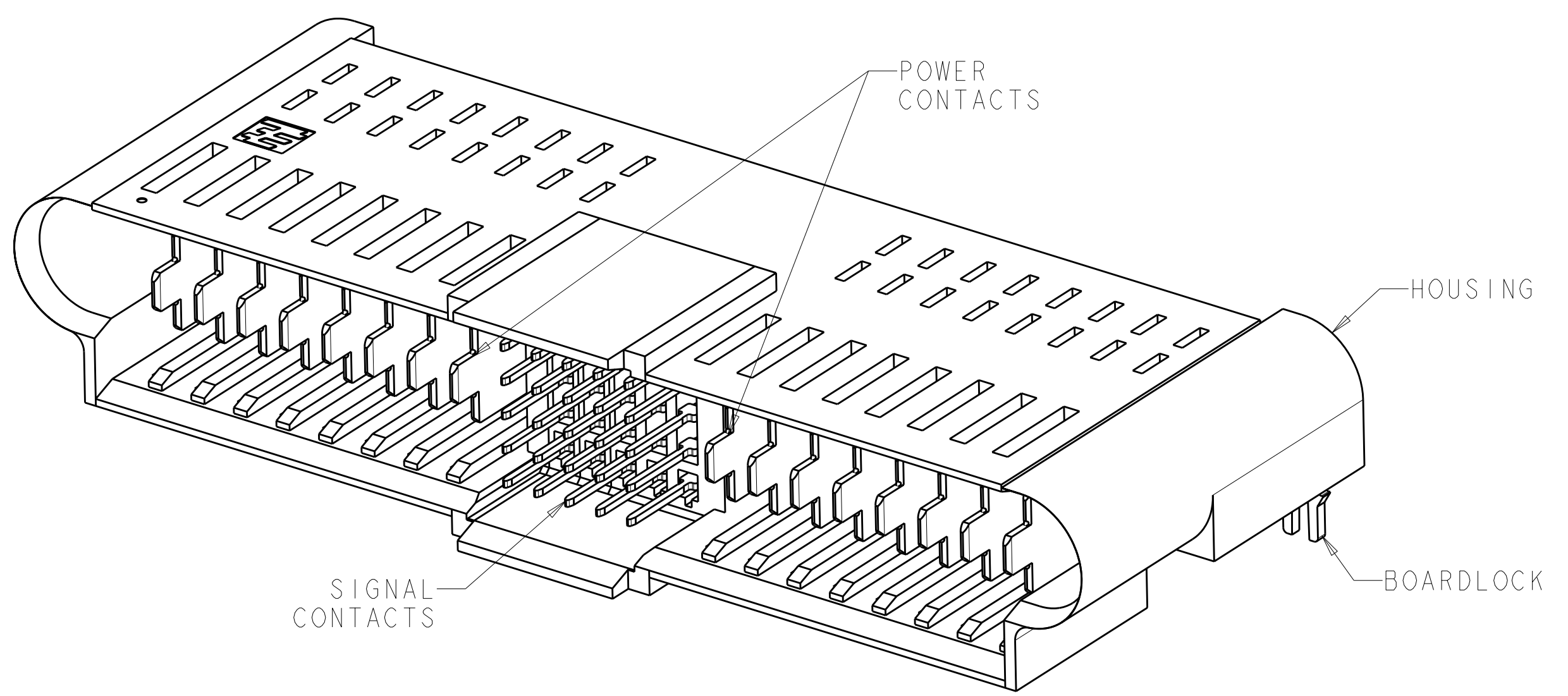


LOC	DIST	REVISIONS			
P	LTR	DESCRIPTION	DATE	DWN	APVD
A		PER ECO-09-012369	22MAY2009	GIP	ECW
B		ECO-09-013491	20AUG2009	LAM	EW
C		ECO-09-028526	04JAN2010	LAW	EW



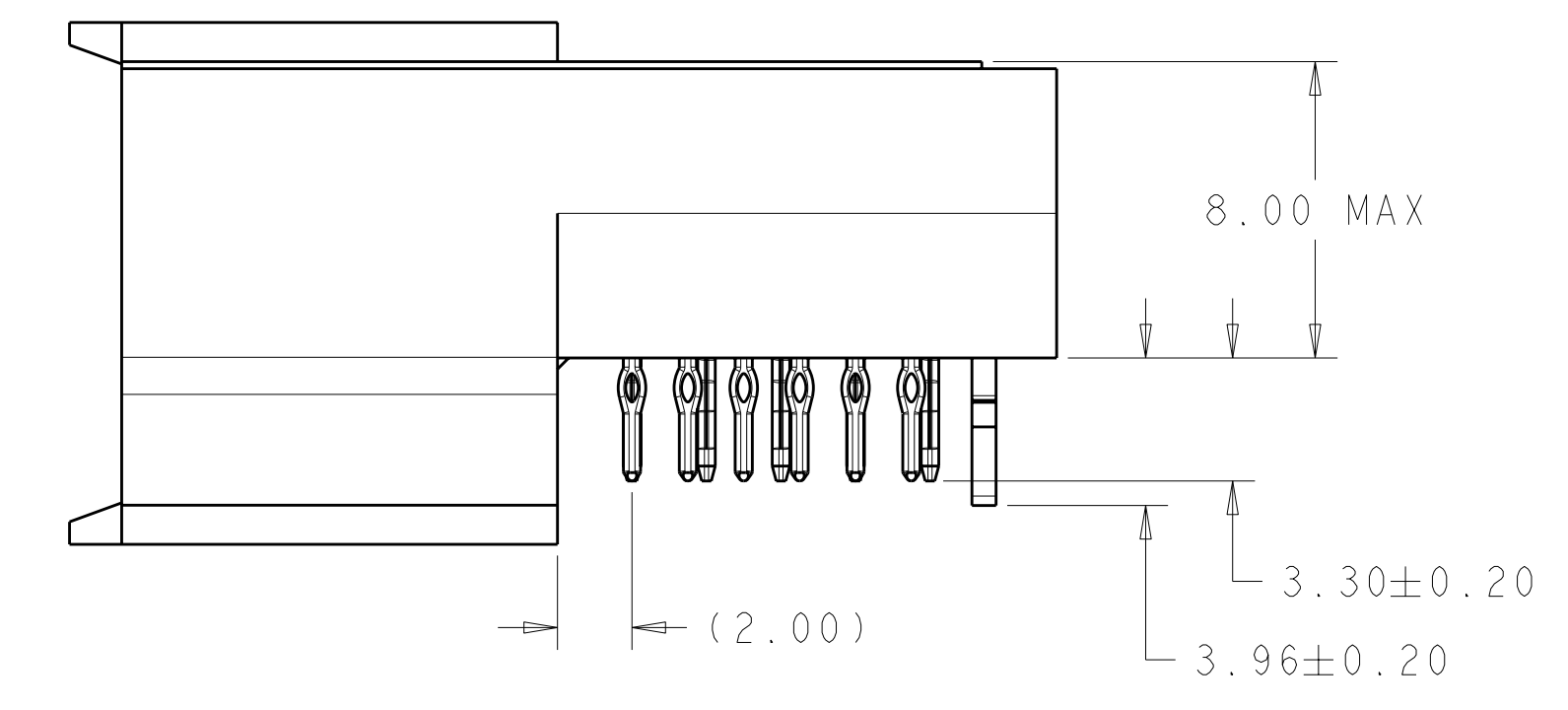
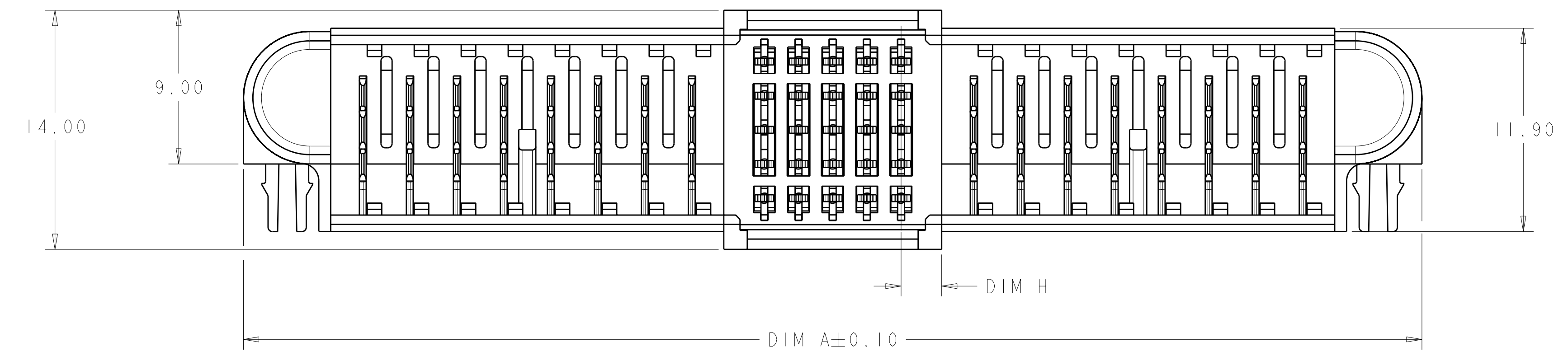
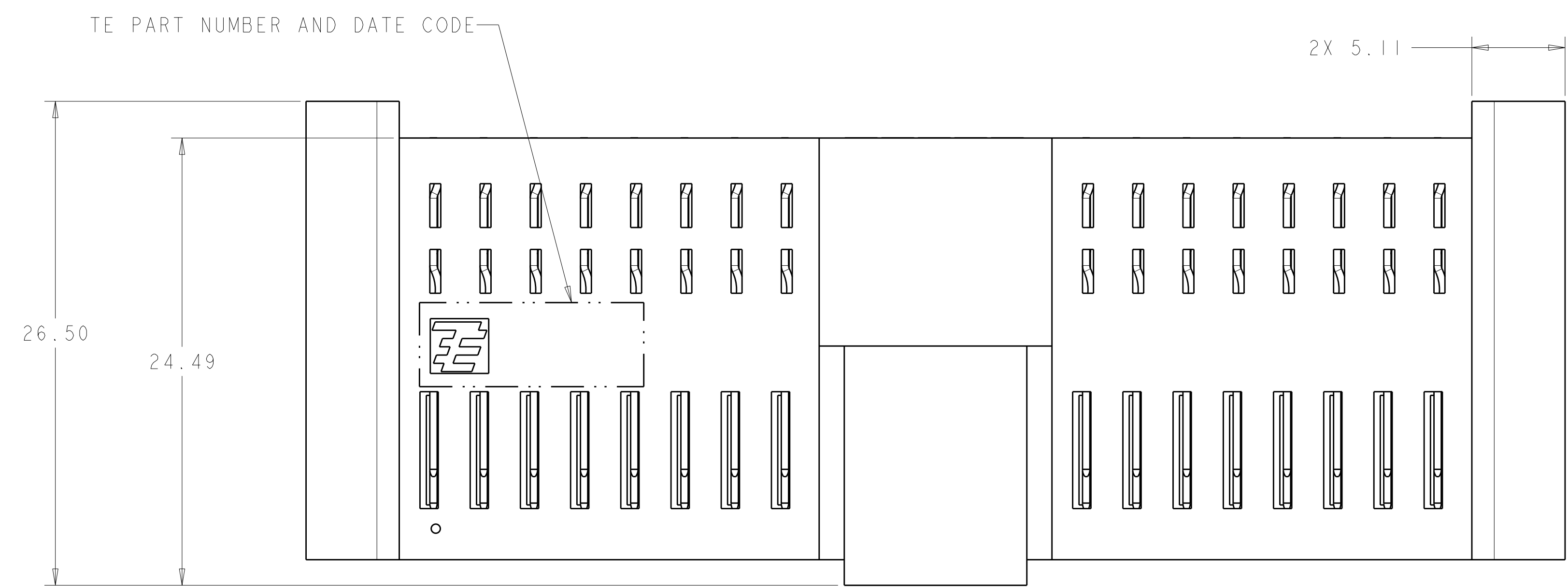
2-1926720-5 SHOWN

- HOUSING: GLASS FILLED LIQUID CRYSTAL POLYMER, COLOR: BLACK, UL 94 V-0 RATED
 SIGNAL CONTACT: PHOSPHOR BRONZE
 SIGNAL OVERMOLD: GLASS FILLED POLYESTER
 POWER CONTACT: COPPER ALLOY
 BOARD LOCK: PHOSPHOR BRONZE
 - SIGNAL CONTACT: 0.00127mm MIN NICKEL ALL OVER,
 MATING AREA: 0.00076mm MIN GOLD OR 0.00008mm MIN GOLD OVER
 0.00076mm MIN PALLADIUM-NICKEL
 TAIL AREA: 0.0005mm MIN MATTE TIN
 POWER CONTACT: 0.00127mm MIN NICKEL ALL OVER,
 MATING AREA: 0.00076mm MIN GOLD OR
 0.00008mm MIN GOLD OVER 0.00076mm MIN PALLADIUM-NICKEL,
 TAIL AREA: 0.0005mm MIN MATTE TIN
 BOARD LOCK: 0.00076mm MIN MATTE TIN OVER
 0.00127mm MIN NICKEL.
 - CONTACT MATING AREA LUBRICATED WITH BELLCORE APPROVED LUBRICANT,
 TECHNICAL REFERENCE: GR-1217-CORE, ISSUE 1, NOVEMBER 1995.
 - THIS CONNECTOR EMPLOYS UL RECOGNIZED Z-PACK 2mm HM SIGNAL CONTACTS
- △ DATUMS AND BASIC DIMENSIONS TO BE ESTABLISHED BY CUSTOMER.
 △ PC BOARD THICKNESS 1.4mm MIN, FOR WAVE SOLDER PC BOARD THICKNESS 2.62 MAX
 △ SEE APPLICATION SPEC 114-13215 FOR PLATED THROUGH HOLE INFORMATION
 8. SEE CUSTOMER DRAWING 1926721 OR 1926723 FOR MATING CONNECTOR
 △ UNPLATED HOLES

2.375	4.250	48	25	7	4	63.85	68.96	8P X 25S X 8P	2-1926720-5
3.00	4.875	36	15	5	2	50.10	55.21	6P X 15S X 6P	1-1926720-6
3.00	4.875	24	15	1	2	28.10	33.21	2P X 15S X 2P	1926720-2
DIM H	DIM G	F SPACES	E PLACES	D SPACES	C SPACES	DIM B	DIM A	DESCRIPTION	PART NUMBER

DIMENSIONS: mm 		TOLERANCES UNLESS OTHERWISE SPECIFIED: 9 PLC ± 1 PLC ±0.13 5 PLC ± 4 PLC ± ANGLES ±		DWN P BRANDBERG 21NOV07 CHK N REESER 21NOV07 APVD N REESER 21NOV07		Tyco Electronics Harrisburg, PA 17105-3608	
MATERIAL SEE NOTE 1		FINISH SEE NOTE 2		NAME ASSEMBLY, RIGHT ANGLE PLUG, POWER/SIGNAL/POWER, PASSIVE GUIDE, WITH BOARDLOCK, MINIPAK HDL		SIZE CAGE CODE DRAWING NO RESTRICTED TO A 100779 C=1926720	
CUSTOMER DRAWING				SCALE 4:1		SHEET 1 OF 3 REV C	

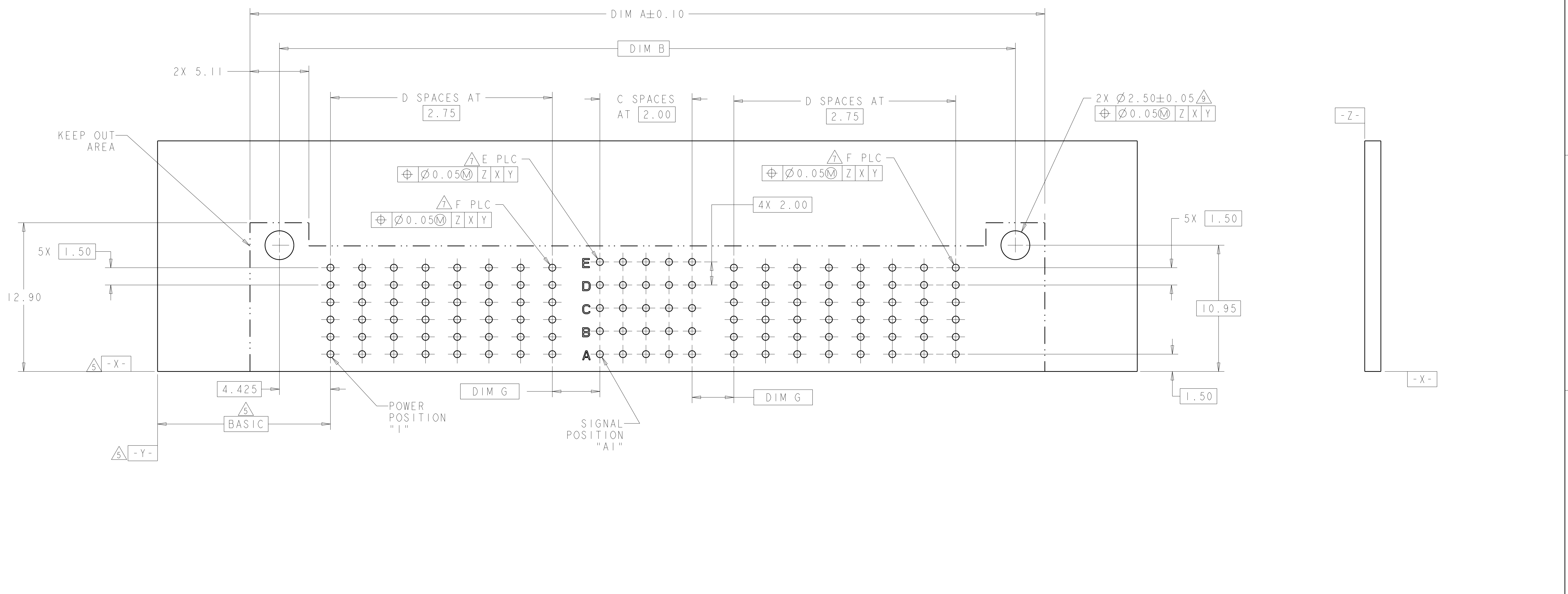
LOC	DIST	REVISIONS					
AA	00	P	LTR	DESCRIPTION	DATE	DWN	APVD
		-	-	SEE SHEET 1	-	-	-



2-1926720-5 SHOWN

<small>THIS DRAWING IS UNPUBLISHED. RELEASED FOR PUBLICATION BY TYCO ELECTRONICS CORPORATION. ALL RIGHTS RESERVED. THIS DRAWING IS SUBJECT TO CHANGE WITHOUT NOTICE AND WITHOUT OBLIGATION. SHOULD BE CONTACTED FOR THE LATEST REVISION.</small>		DWN P BRANDBERG 21NOV07 CHK N REESER 21NOV07 APVD N REESER 21NOV07	Tyco Electronics Harrisburg, PA 17105-3608
DIMENSIONS: mm 	TOLERANCES UNLESS OTHERWISE SPECIFIED: 0 PLC ± 1 PLC ±0.13 2 PLC ± 3 PLC ± 4 PLC ± ANGLES ±	NAME ASSEMBLY, RIGHT ANGLE PLUG, POWER/SIGNAL/POWER, PASSIVE GUIDE, WITH BOARDLOCK, MINIPAK HDL PRODUCT SPEC 108-2325 APPLICATION SPEC 114-13215 WEIGHT - FINISH SEE NOTE 2	SIZE CAGE CODE DRAWING NO RESTRICTED TO A100779C=1926720 CUSTOMER DRAWING SCALE 4:1 SHEET 2 OF 3 REV C

LOC	DIST	REV	DATE	BY	APPD
AA	00				
		DESCRIPTION	DATE	DWN	APPD
		SEE SHEET 1			



2-1926720-5 SHOWN
RECOMMENDED PRINTED CIRCUIT BOARD LAYOUT \triangle
 (AS VIEWED FROM COMPONENT SIDE)
 SCALE 6:1

<small>THIS DRAWING IS UNPUBLISHED. RELEASED FOR PUBLICATION BY TYCO ELECTRONICS CORPORATION. ALL RIGHTS RESERVED.</small>		DWN P BRANDBERG 21NOV07 CHK N REESER 21NOV07 APVD N REESER 21NOV07	Tyco Electronics Harrisburg, PA 17105-3608
DIMENSIONS: mm 	TOLERANCES UNLESS OTHERWISE SPECIFIED: 9 PLC \pm 1 PLC ± 0.13 2 PLC \pm 3 PLC \pm 4 PLC \pm ANGLES \pm	NAME ASSEMBLY, RIGHT ANGLE PLUG, POWER/SIGNAL/POWER, PASSIVE GUIDE, WITH BOARDLOCK, MINIPAK HDL PRODUCT SPEC 108-2325 APPLICATION SPEC 114-13215 WEIGHT - CUSTOMER DRAWING	SIZE CAGE CODE DRAWING NO RESTRICTED TO A1100779C=1926720 SCALE 4:1 SHEET 3 OF 3 REV C