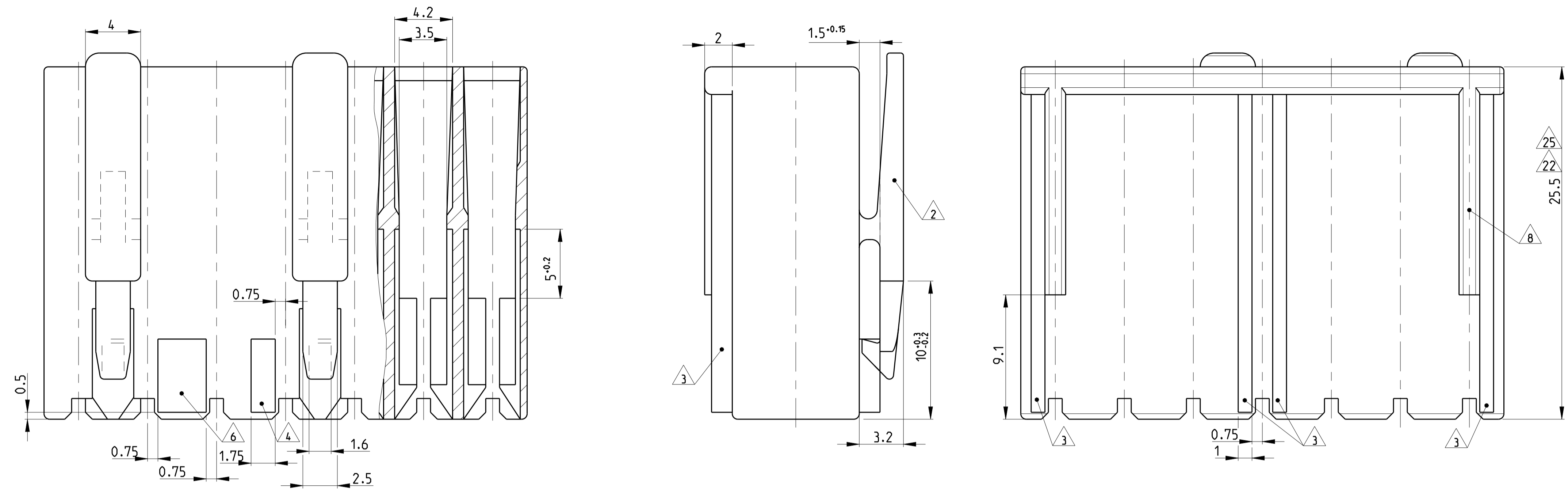
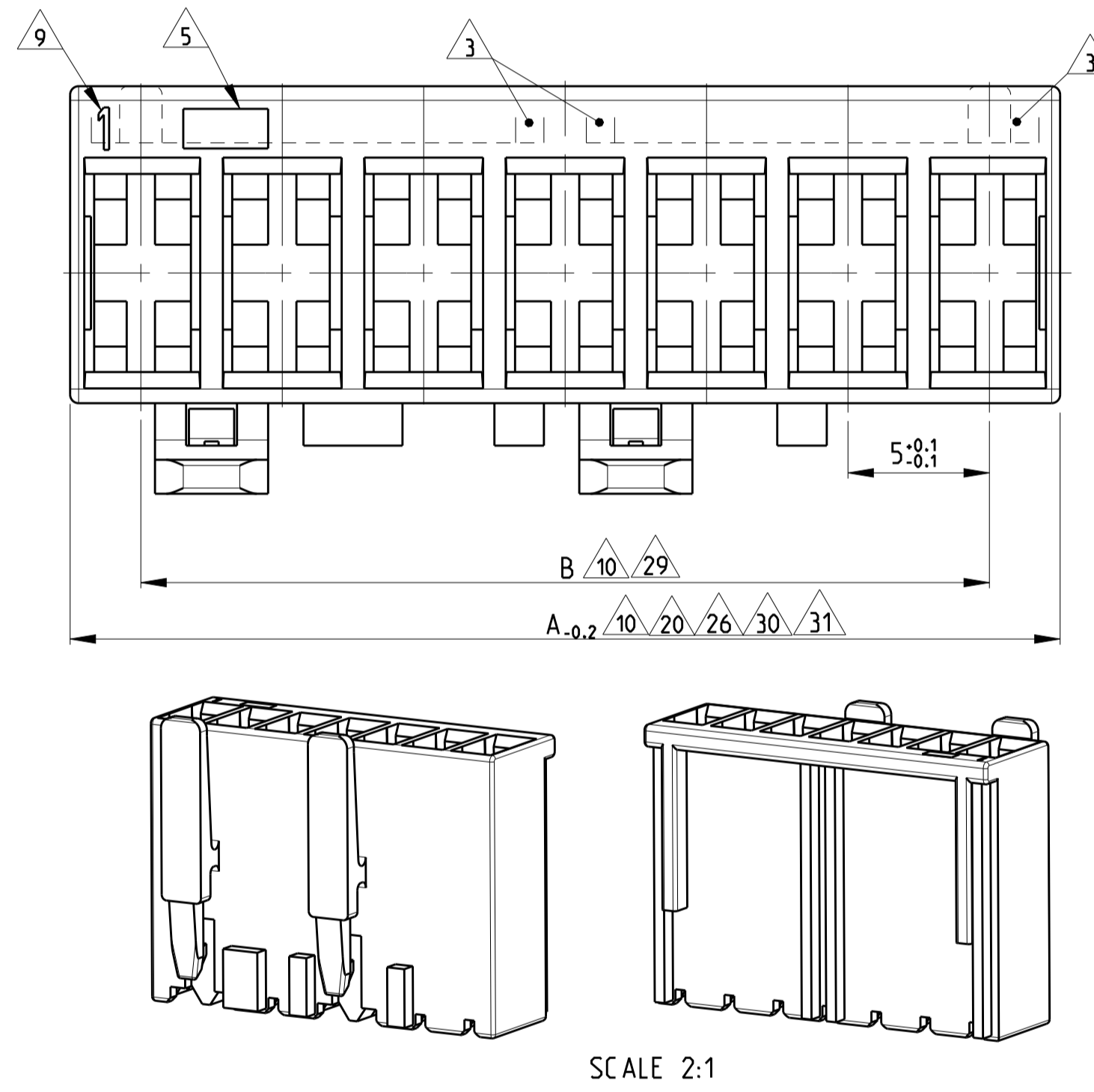
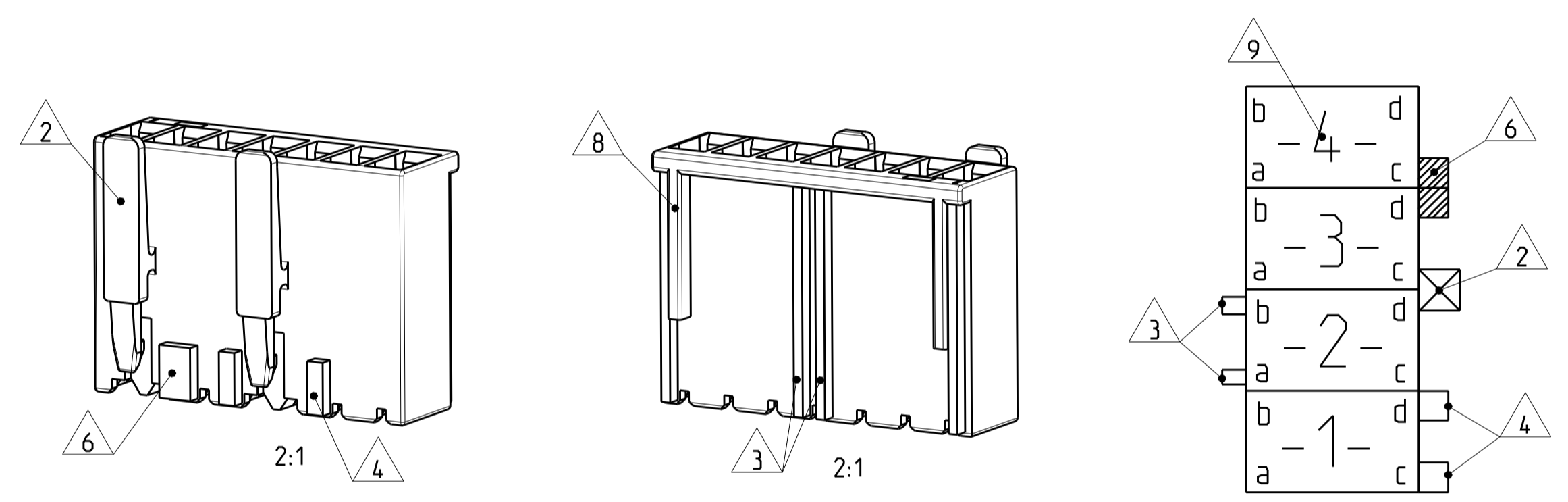


LOC		DIST		REVISIONS			
A1	-	P	LTR	DESCRIPTION	DATE	DWN	APVD
B28	ECR-15-016286				22JAN2016	SL	RR
B29	ECR-16-001493				28JAN2016	SS	RR
B30	ECR-16-013876				29SEP2016	KD	RR
B31	ECR-16-016442				23NOV2016	KD	RR



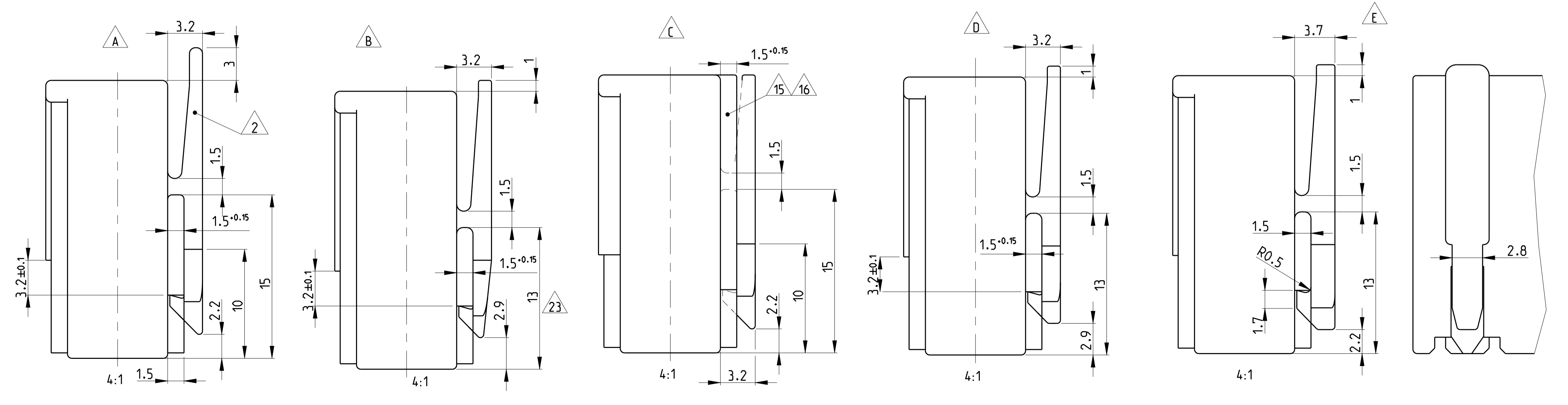
- 1 CAVITY SUITABLE TO STANDARD TIMER CONTACTS LISTED IN PROD. SPEC: 108-18049, ITEM 3.3.2
Kammer geeignet für Standard Timer Kontakte gelistet in Prod. Spec. 108-18049, Punkt 3.3.2
- 2 LOCKING LATCH BETWEEN CAVITY NO. Rasthaken zwischen Kammernummer
- 3 POLARIZATION RIB POSITION "a" OR POSITION "b", AT CAVITY NO. Polarisierungsrippen (Lage "a") oder (Lage "b") versetzt bei Kammer Nr
- 4 KEYING RIB POSITION "c" OR POSITION "d", AT CAVITY NO. Kodierungsrippen nach unten (Lage "c") oder oben (Lage "d") versetzt bei Kammernummer
- 5 AREA FOR TE LOGO ACC. TO SPEC 202-36 Bereich für TE Logo nach Spec. 202-36
- 6 WIDTH KEYING RIB BETWEEN CAVITY NO. Breite Kodierrippe zwischen Kammer Nr.
- 7 SUITABLE TO TAB 6.3x0.8mm AND 4.8x0.8mm ACCORDING TO DIN 46244 Geeignet für Flachstecker 6.3x0.8mm und 4.8x0.8mm nach DIN 46244
- 8 MATING STOP BETWEEN CAVITY NO.1 AND 2, ALSO BETWEEN THE LAST AND THE LAST BUT ONE CAVITY Tiefenanschlag zwischen Kammer Nr.1 und 2, ebenfalls zwischen der letzten und vorletzten Kammer
- 9 CONTACT CAVITY NO. Kammernummer
- 10 DIMENSION A AND DIMENSION B SEE SHEET 2 OF 3 Maß A und Maß B siehe Blatt 2 von 3
- 11 MATED WITH TE CONNECTOR: SEE TABLE, SHEET 2 OF 3 Passender TE Gegenstecker: siehe Tabelle, Seite 2 von 3
- 12 GENERAL SUITABLE TAB HEADER HOUSING SEE RAST 5 PERFORMANCE Generell passende Flachsteckerwanne, siehe RAST 5 Vorgabe
- 13 CONNECTION TO THE PC BOARD SEE DRAWING 88-9935-4 Leiterplattenanschluß siehe Zeichnung 88-9935-4
- 14 SEE TABLE, SHEET 2 OF 3 Siehe Tabelle, Blatt 2 von 3
- 15 MATERIAL CORRESPONDS TO THE REQUIREMENT EN 60335 (INCL. GLOW WIRE TEST 750°C WITHOUT FLAME)
- 16 WIRE TANGLING PROTECTION
- 17 WIRE TANGLING PROTECTION IN COMBINATION WITH CODING RIBS, ONLY VALID FOR VERSIONS 5-964702-3, 0-964702-3, 0-964702-1
- 18 KEYING ACC. TO RAST-5 STANDARD; COLOUR IS DIFFERENT
- 19 8 POS. SPECIAL VERSION WITH SWAGED KEYING RIB
- 20 SPECIAL MATERIAL PA66, UL 94 V0
- 21 DIMENSION "A" IS ACCEPTED WITHIN TOLERANCE +0.05/-0.20.
- 22 PRELIMINARY PART- NOT YET RELEASED FOR PRODUCTION
- 23 ONLY FOR PN 2178600-2, 3-2178600-2, 4-2178600-2, 5-2178600-2, TOLERANCE IS +0.4 -0.2, WORST CASE CAN BE OUT OF RAST STANDARD.
- 24 ONLY FOR PN 2178600-2, 3-2178600-2, 4-2178600-2, 5-2178600-2, TOLERANCE IS ±0.4
- 25 ONLY FOR PN 3-1241965-5, 3-1241965-7 TOLERANCE IS +0.3 -0.2
- 26 ONLY FOR PN 3-1241965-5, 3-1241965-7 TOLERANCE IS +0.2 -0.2
- 27 ONLY FOR PN 3-1241965-5, 3-1241965-7 TOLERANCE IS +0.05 -0.2
- 28 OBSOLETE PART
- 29 ONLY FOR 4-1241965-7, TOLERANCE IS -0.3
- 30 ONLY FOR 4-1241965-7, TOLERANCE IS +0.2/-0.25
- 31 ONLY FOR 1-2178029-3, TOLERANCE IS +0.15/-0.2

DESCRIPTION
POSITION OF THE KEYING RIBS, POLARISATION RIBS AND THE LOCKING LATCH



ALL OTHER DIMENSIONS ARE SAME

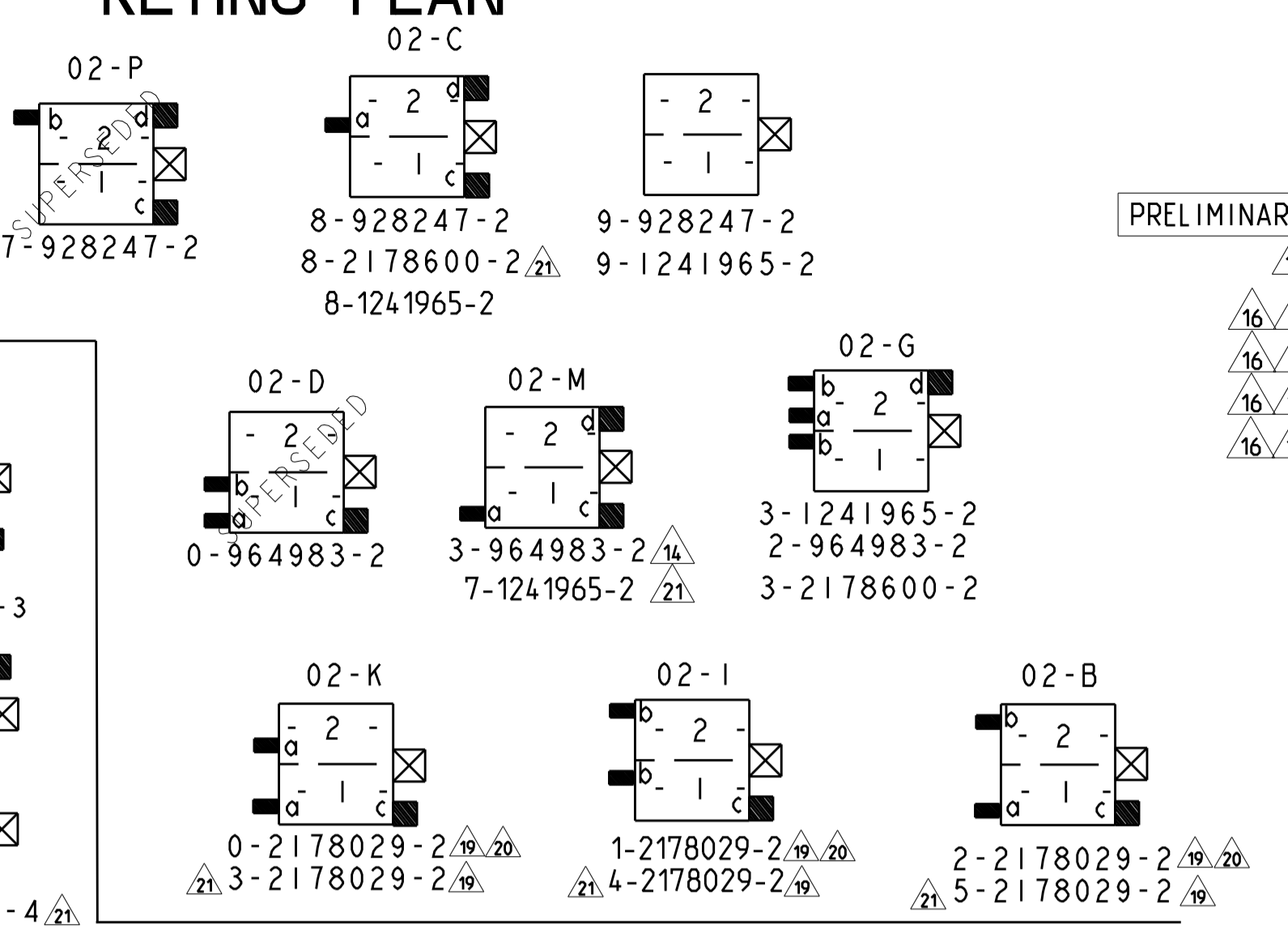
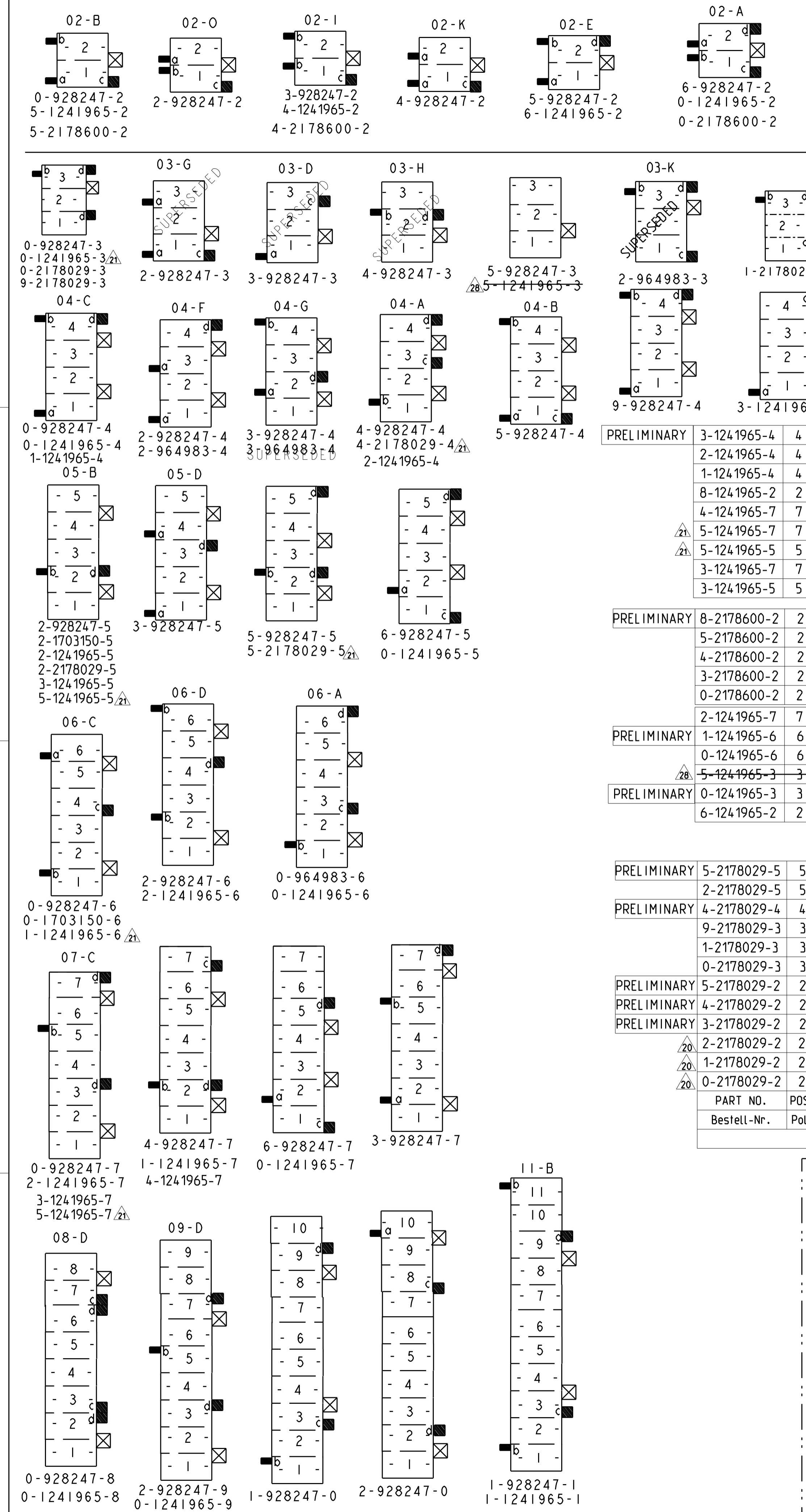
PAY ATTENTION!
DIFFERENT LOCKING LATCHES



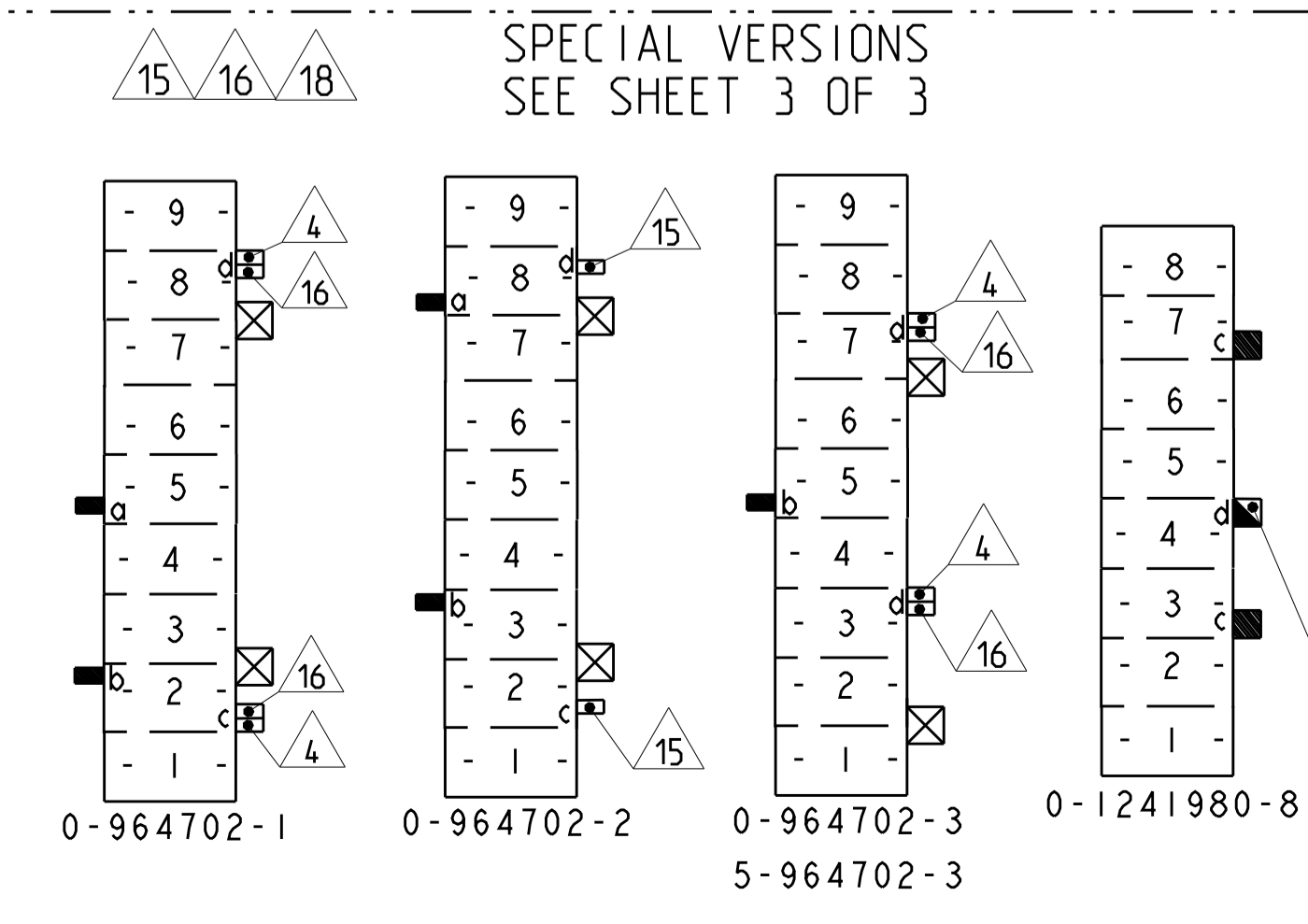
THIS DRAWING IS A CONTROLLED DOCUMENT.		DWN: Kishor M 07-NOV-06		TE Connectivity	
DIMENSIONS: mm		CHK: K. Munz 07-NOV-06		NAME: 2-12 POS. STANDARD TIMER HSG. WITH EXTERIOR LOCKING	
TOLERANCES UNLESS OTHERWISE SPECIFIED:		APVD: T. Klenner 07-NOV-06		2-12 Pos. Standard Timer Gehäuse mit Aussenrastung	
1-PLC ±0.2		PRODUCT SPEC: 108-18049		SIZE: A1	
2-PLC ±0.2		APPLICATION SPEC: -		CAGE CODE: -	
3-PLC ±0.2		WEIGHT: -		DRAWING NO: C=1241965	
4-PLC ±0.2		MATERIAL: SEE TABLE		SHEET 1 OF 3	
ANGLES: ±0.1		Customer Drawing		SCALE: 5:1	
FINISH: -		REV: B31		REV: B31	

KEYING PLAN

LOC	DIST	P	LYR	REVISIONS	DATE	DRW	APVD
A1	-	-	-	DESCRIPTION	-	-	-
-	-	-	-	SEE SHEET 1	-	-	-



PRELIMINARY	PART NO.	POS.	RAST 5	DIM A	DIM B	COLOUR	MATERIAL	LOCKING LATCH	REV.	MATED WITH
	Bestell-Nr.	Pol.	Rast 5	Maß A	Maß B	Farbe		Rasthaken	Rev.	Gegenstecker
	3-1241965-4	4	-	20	15	NATURAL	PA66	E	1	12/13
	2-1241965-4	4	-	20	15	NATURAL	UL94V0	E	A	12/13
	1-1241965-4	4	04-C	20	15	NATURAL	GWT 750	E	A	12/13
	8-1241965-2	2	02-C	10	5	NATURAL	CT1350	E	A	12/13
	4-1241965-7	7	-	35	30	NATURAL		E	A	12/13
	5-1241965-7	7	07-C	35	30	NATURAL		E	1	12/13
	5-1241965-5	5	05-B	25	20	NATURAL	PA6 GF15	E	1	12/13
	3-1241965-7	7	07-C	35	30	NATURAL	UL94V-2	D	A	12/13
	3-1241965-5	5	05-B	25	20	NATURAL		D	A	12/13
	8-2178029-2	2	02-C	10	5	NATURAL	PA6 GF15	B	1	12/13
	5-2178029-2	2	02-B	10	5	BLACK	UL94V-2	B	B	12/13
	4-2178029-2	2	02-I	10	5	RED		B	B	12/13
	3-2178029-2	2	02-G	10	5	BLUE		B	B	12/13
	0-2178029-2	2	02-A	10	5	NATURAL		B	B	12/13
	2-1241965-7	7	07-C	35	30	NATURAL	PA6	B	A	12/13
	1-1241965-6	6	06-C	30	25	NATURAL	UL94V-2	B	1	12/13
	0-1241965-6	6	06-A	30	25	NATURAL		B	A	12/13
	5-1241965-3	3	-	15	10	NATURAL		A	1	12/13
	0-1241965-3	3	-	15	10	NATURAL		B	1	12/13
	6-1241965-2	2	02-E	10	5	NATURAL		B	A	12/13
	5-2178029-5	5	-	25	20	GREEN		B	1	12/13
	2-2178029-5	5	-	25	20	BLACK		B	A	12/13
	4-2178029-4	4	-	20	15	NATURAL		B	1	12/13
	9-2178029-3	3	-	15	10	YELLOW		B	A	12/13
	1-2178029-3	3	-	15	10	NATURAL		B	B	12/13
	0-2178029-3	3	-	15	10	NATURAL		B	A	12/13
	5-2178029-2	2	02-B	10	5	NATURAL	PA66	B	1	12/13
	4-2178029-2	2	02-I	10	5	NATURAL	UL94V-0	B	1	12/13
	3-2178029-2	2	02-K	10	5	NATURAL		B	1	12/13
	2-2178029-2	2	02-B	10	5	BLACK		B	1	12/13
	1-2178029-2	2	02-I	10	5	RED		B	A	12/13
	0-2178029-2	2	02-K	10	5	GREEN		B	A	12/13

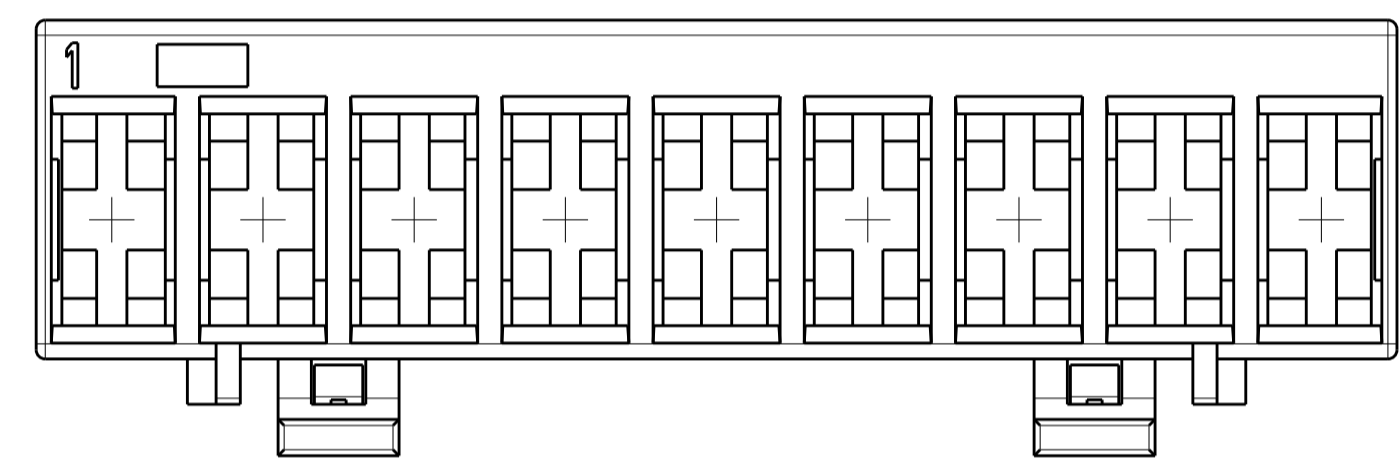
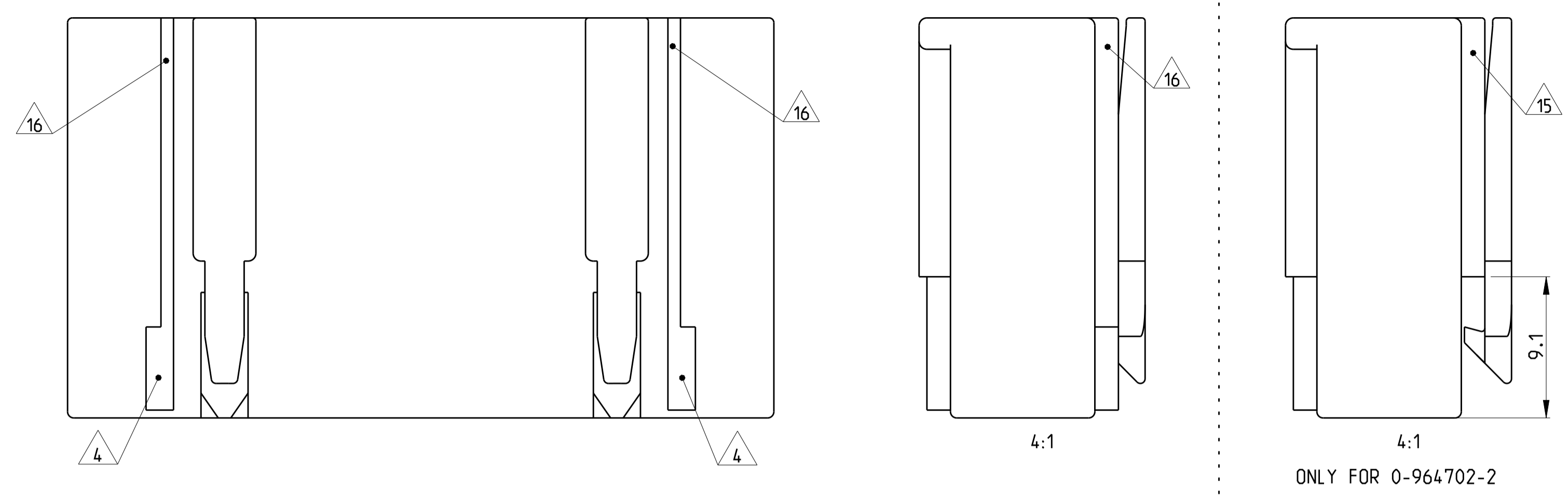


SWAGED KEYING RIB
Abgeschrägte Kodierrippe

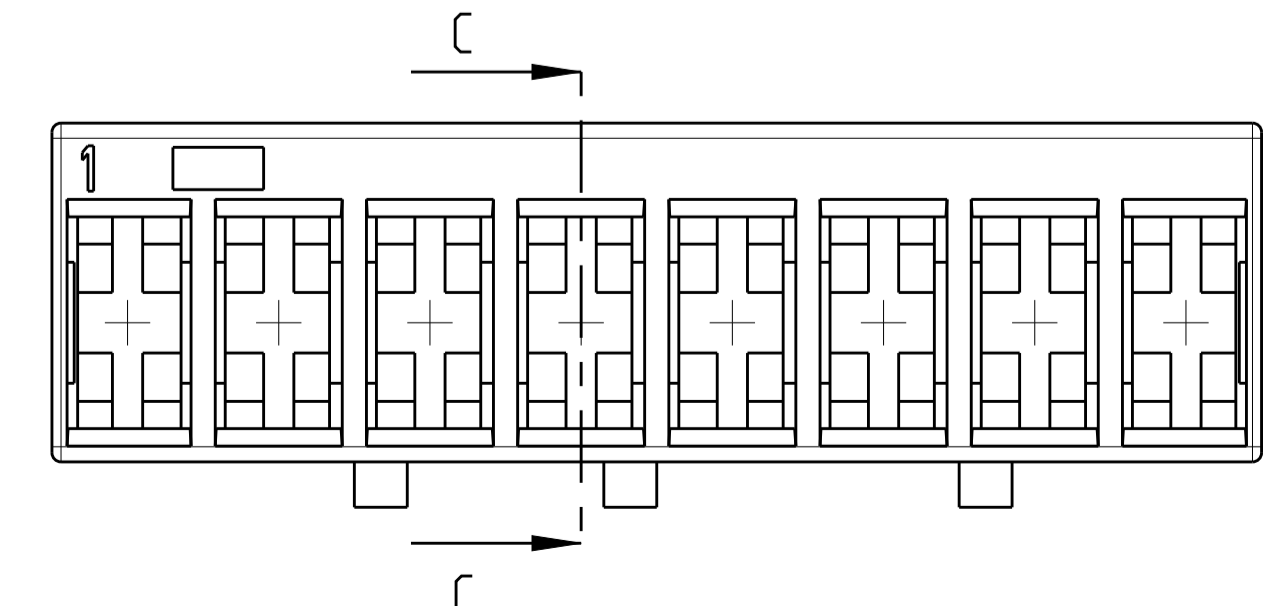
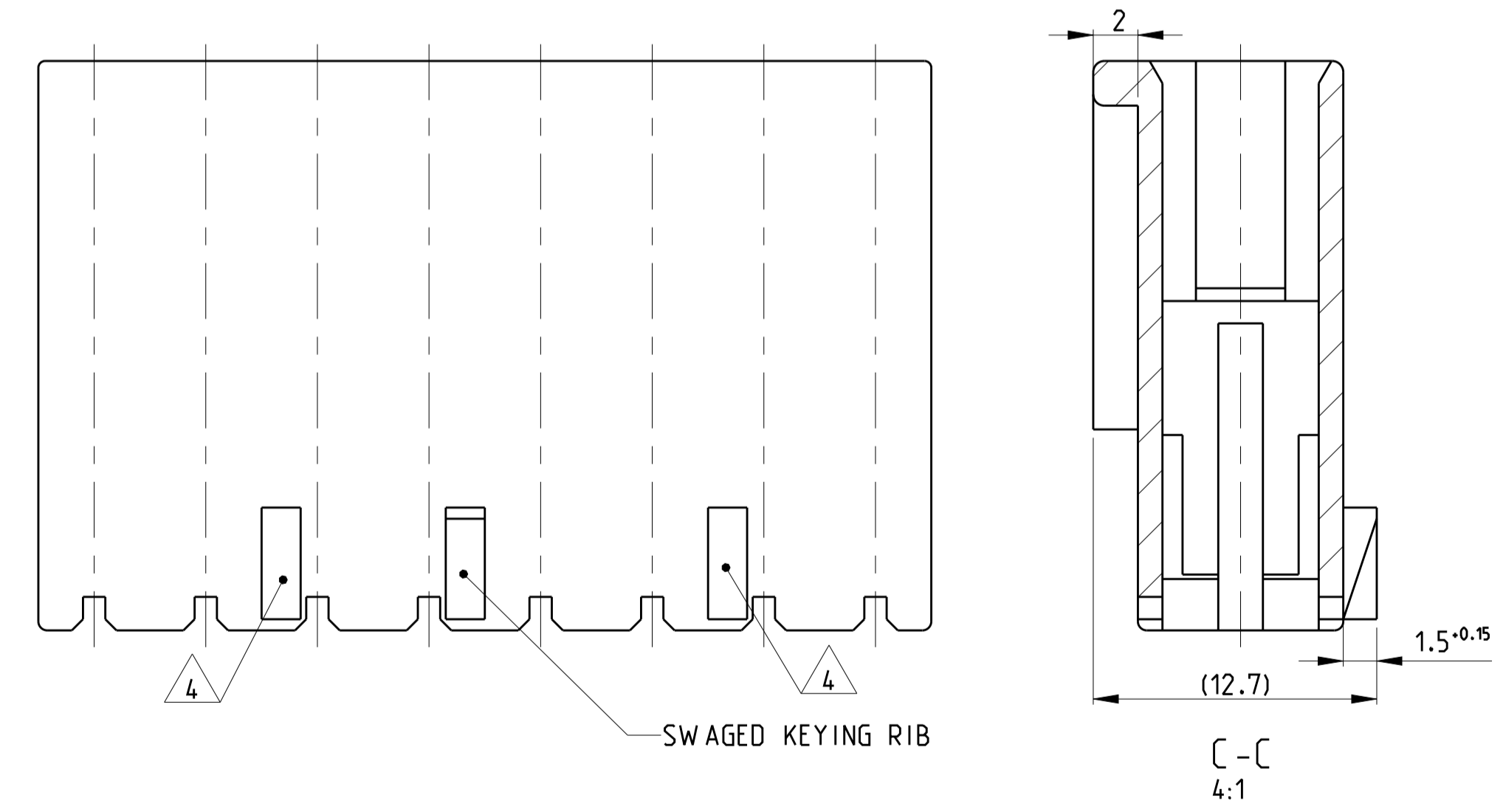
COLOUR	SUPERSEDED BY PN:	PART NO.	POS.	RAST 5	DIM A	DIM B	COLOUR	MATERIAL	LOCKING LATCH	REV.	MATED WITH
		Bestell-Nr.	Pol.	Rast 5	Maß A	Maß B	Farbe		Rasthaken	Rev.	Gegenstecker
NATURE		7-1241965-2	2	02-M	10	5	NATURE	UL94 V-0	B	1	12/13
NATURE		0-1241980-8	8	-	40	35	NATURE/natur	UL94V-0	-	B	12/13
NATURE		5-964702-3	-	-	45	40	NATURE/natur	UL94V-2	C	E	12/13
NATURE		0-964702-3	-	-	45	40	NATURE/natur				
NATURE		0-964702-2	-	-	45	40	BLACK/schwarz				
NATURE		0-964702-1	-	-	45	40	NATURE/natur				
WHITE		0-964983-6	6	06-A	30	25	WHITE/weiß				
GREY		3-964983-4	4	04-G	20	15	GREY/grau				
ORANGE		2-964983-4	4	04-F	20	15	ORANGE/orange				
GREEN		2-964983-3	3	03-K	15	10	GREEN/grün	UL94V-2	B	D	12/13
VIOLET		28-964983-2	2	02-M	10	5	VIOLET/violett (lila)				
BLUE		2-964983-2	2	02-G	10	5	BLUE/blau				
BLACK		0-964983-2	2	02-D	10	5	BLACK/schwarz				
NATURE		1-1241965-1	11	11-B	55	50	NATURE/natur				
NATURE		0-1241965-9	9	09-D	45	40	NATURE/natur				
NATURE		0-1241965-8	8	08-D	40	35	NATURE/natur				
NATURE		1-1241965-7	7	-	35	30	NATURE/natur				
NATURE		0-1241965-7	7	-	35	30	NATURE/natur				
NATURE		2-1241965-6	6	06-D	30	25	NATURE/natur				
NATURE		2-1241965-5	5	05-B	25	20	NATURE/natur	UL94V-2	B	B	12/13
NATURE		0-1241965-5	5	-	25	20	NATURE/natur				
NATURE		0-1241965-4	4	04-C	20	15	NATURE/natur				
NATURE		9-1241965-2	2	-	10	5	NATURE/natur				
NATURE		5-1241965-2	2	02-B	10	5	NATURE/natur				
RED		4-1241965-2	2	02-I	10	5	RED/rot				
BLUE		3-1241965-2	2	02-G	10	5	BLUE/blau				
NATURE		0-1241965-2	2	02-A	10	5	NATURE/natur				
YELLOW		1-928247-1	11	11-B	55	50	YELLOW/gelb				
B		2-928247-0	10	-	50	45	GREY/grau				
B		1-928247-0	10	-	50	45	BROWN/braun	UL94V-2	B		964703-3 12/13
B		2-928247-9	9	09-D	45	40	BLUE/blau				
B		0-928247-8	8	08-D	40	35	BLUE/blau				
A		6-928247-7	7	-	35	30	GREEN/grün				
A		4-928247-7	7	-	35	30	NATURE/natur				
A		3-928247-7	7	-	35	30	NATURE/natur	UL94V-0	A		
B		0-928247-7	7	07-C	35	30	GREY/grau				
B		2-928247-6	6	06-D	30	25	BLUE/blau				
A		0-1703150-6	6	06-C	30	25	GREY/grau	UL94V-2	A		
B		0-928247-6	6	06-C	30	25	GREY/grau				
B		6-928247-5	5	-	25	20	NATURE/natur				
B		5-928247-5	5	-	25	20	GREEN/grün				
A		3-928247-5	5	05-D	25	20	BLUE/blau				
A		2-1703150-5	5	05-B	25	20	BLACK/schwarz				
B		2-928247-5	5	05-B	25	20	BLACK/schwarz				
B		9-928247-4	4	-	20	15	NATURE/natur	UL94V-0	A		
B		5-928247-4	4	04-B	20	15	BLACK/schwarz				
B		4-928247-4	4	04-A	20	15	NATURE/natur				
B		3-928247-4	4	04-G	20	15	VIOLET/violett (lila)				
B		2-928247-4	4	04-F	20	15	WHITE/weiß				
B		0-928247-4	4	04-C	20	15	GREY/grau				
A		5-928247-3	3	-	15	10	NATURE/natur				
A		4-928247-3	3	03-H	15	10	BROWN/braun				
A		3-928247-3	3	03-D	15	10	BLUE/blau				
A		2-928247-3	3	03-G	15	10	VIOLET/violett (lila)				
B		0-928247-3	3	-	15	10	YELLOW/gelb	UL94V-2	B		
B		9-928247-2	2	-	10	5	NATURE/natur				
B		8-928247-2	2	02-C	10	5	GREY/grau				
A		7-928247-2	2	02-P	10	5	PURPLERED/purpurnot				
B		6-928247-2	2	02-A	10	5	NATURE/natur				
B		5-928247-2	2	02-E	10	5	GREEN/grün				
B		4-928247-2	2	02-K	10	5	YELLOW GREEN/gelbgrün				
A		3-928247-2	2	02-I	10	5	ORANGE/orange				
A		2-928247-2	2	02-O	10	5	PINK/rosa				
B		0-928247-2	2	02-B	10	5	BLACK/schwarz				

STANDARD	TE CONNECTIVITY
TE Connectivity	TE Connectivity
108-18049	108-18049
APV12	APV12
108-18049	108-18049
108-18049	108-18049
108-18049	108-18049
108-18049	108-18049
108-18049	108-18049
108-18049	108-18049

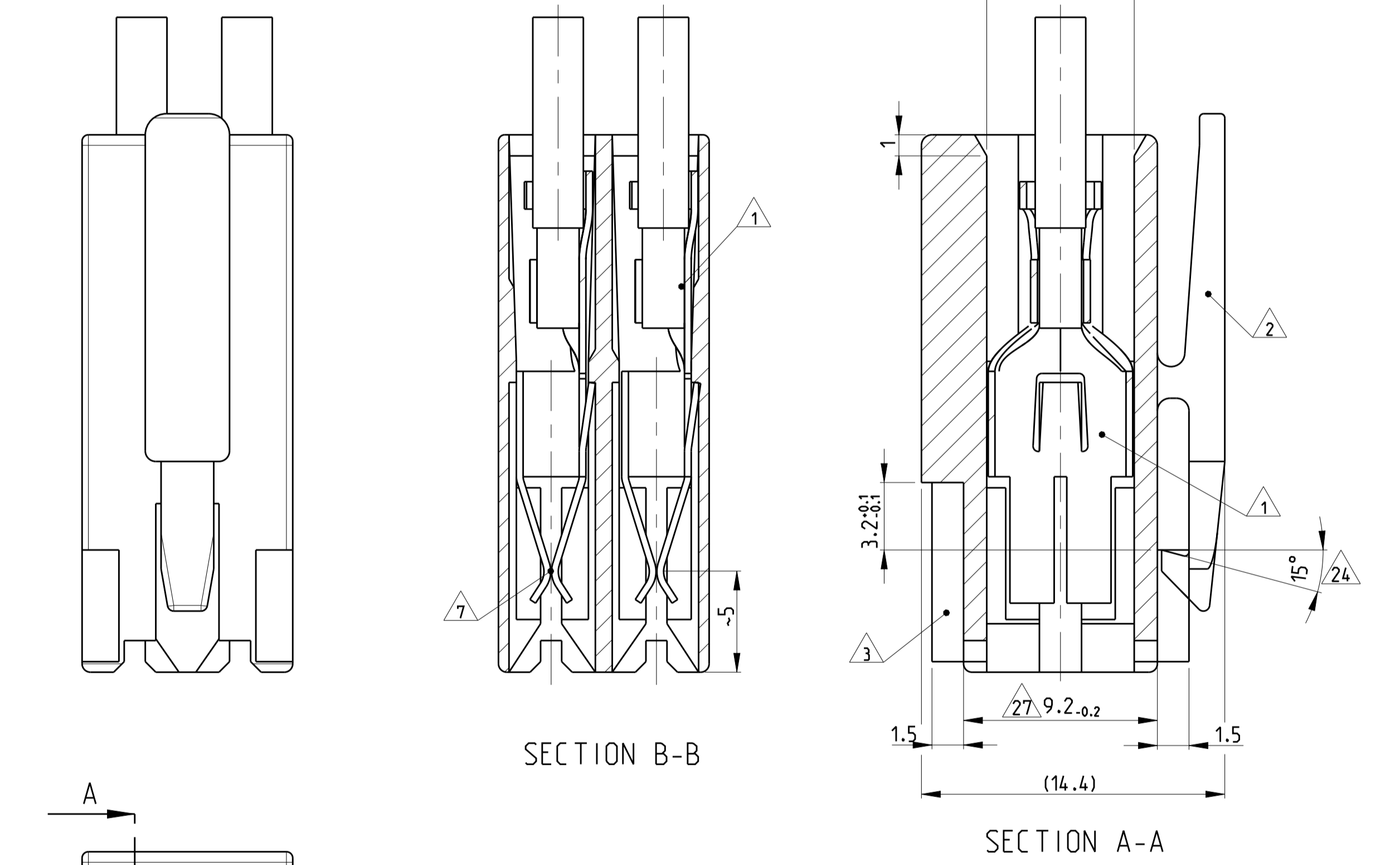
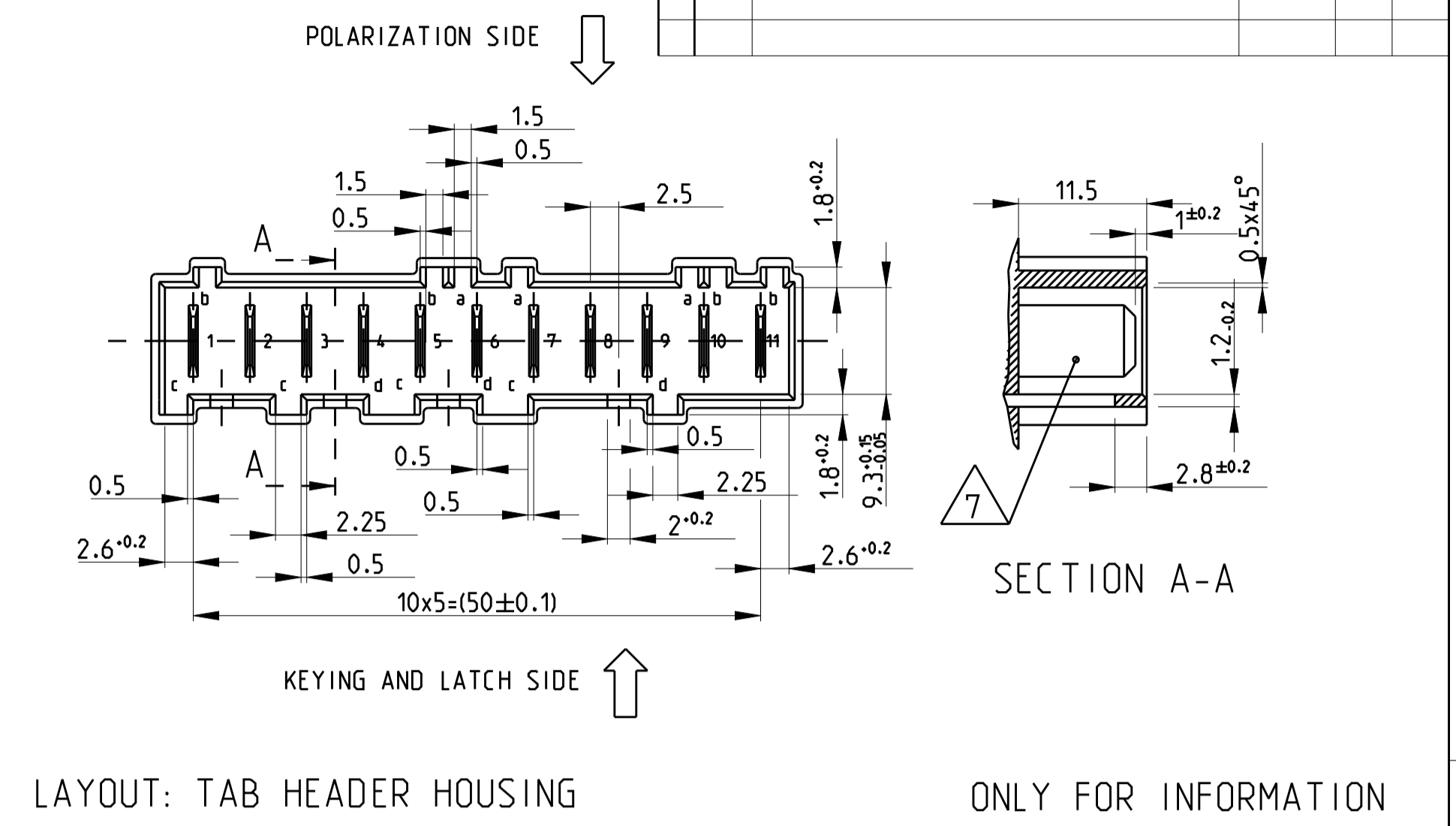
SPECIAL VERSIONS $\triangle 15$ $\triangle 16$
 9 POS STD. TIMER HSG. WITH TANGLING PROTECTION



SPECIAL VERSION $\triangle 18$
 8 POS SPECIAL STD. TIMER HSG.



LOC	DIST	REV	DESCRIPTION	DATE	DRW	APVD
A1	-	-	SEE SHEET 1	-	-	-



THIS DRAWING IS A CONTROLLED DOCUMENT.		DRW: Kishor M 07-NOV-06	TE Connectivity
DIMENSIONS: mm		CHK: K. Munz 07-NOV-06	
TOLERANCES UNLESS OTHERWISE SPECIFIED: ±0.2		APVD: Th. Klenner 07-NOV-06	NAME: 2-12 POS. STANDARD TIMER HSG. WITH EXTERIOR LOCKING
0-PLC ± 1-PLC ± 2-PLC ± 3-PLC ± 4-PLC ±		PRODUCT SPEC: 108-18049	2-12 Pos. Standard Timer Gehäuse mit Aussenrastung
MATERIAL: SEE TABLE		APPLICATION SPEC: -	SIZE: A1
FINISH: -		WEIGHT: -	CAGE CODE: C=1241965
		Customer Drawing	RESTRICTED TO: -
		SCALE: 5:1	SHEET: 3 OF 3
			REV: B31