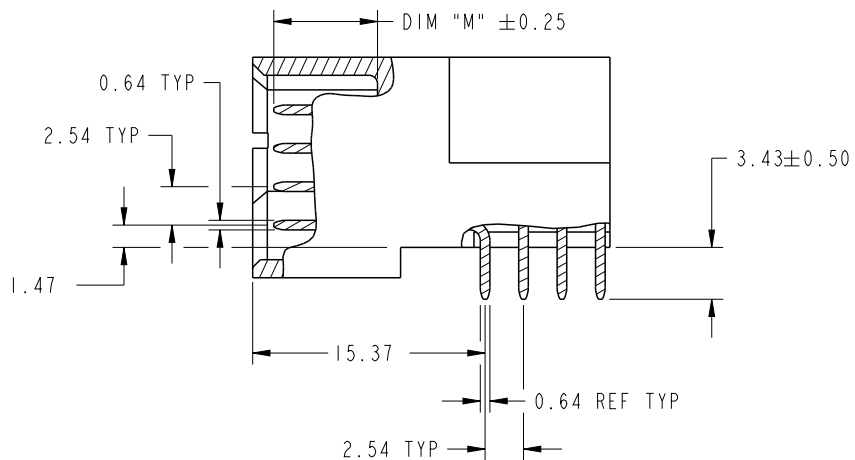


CODE	DIM "M" MATING LENGTH	CONTACT TYPE
U	[6.86]	SIGNAL
T	[6.86]	SIGNAL
S	[6.86]	SIGNAL
R	[6.86]	SIGNAL
G	[5.59]	SIGNAL
HA	[N/A]	HOLD-DOWN
X	OMITTED	OMITTED

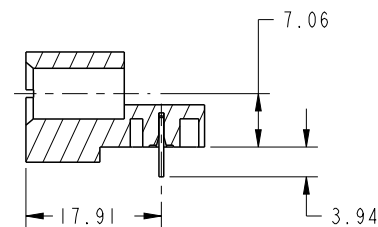
spec ref	*	dr	Luo Weller	2012/07/03	projection	MM	size	A4	scale	1:1
tolerance std	TOLERANCES UNLESS OTHERWISE SPECIFIED	eng	Luo Weller	2012/07/11			ecn no	-	rel level	Released
SEE NOTE		chr	-	-						
surface	linear	appr	Pei-Ming Zheng	2012/07/12	product family	PwrBlade	rev	51730-203	A	
	angular	www.fci.com		cat. no.	Product - Customer Drw		sheet 1 of 4			
					2P+24S+2P, empty for all power pin					
					RIGHT ANGLE SOLDER HEADER					

PRODUCT NUMBER

51730-203--
NOTE: 3



BROKEN-OUT SECTION A-A
SCALE 2:1

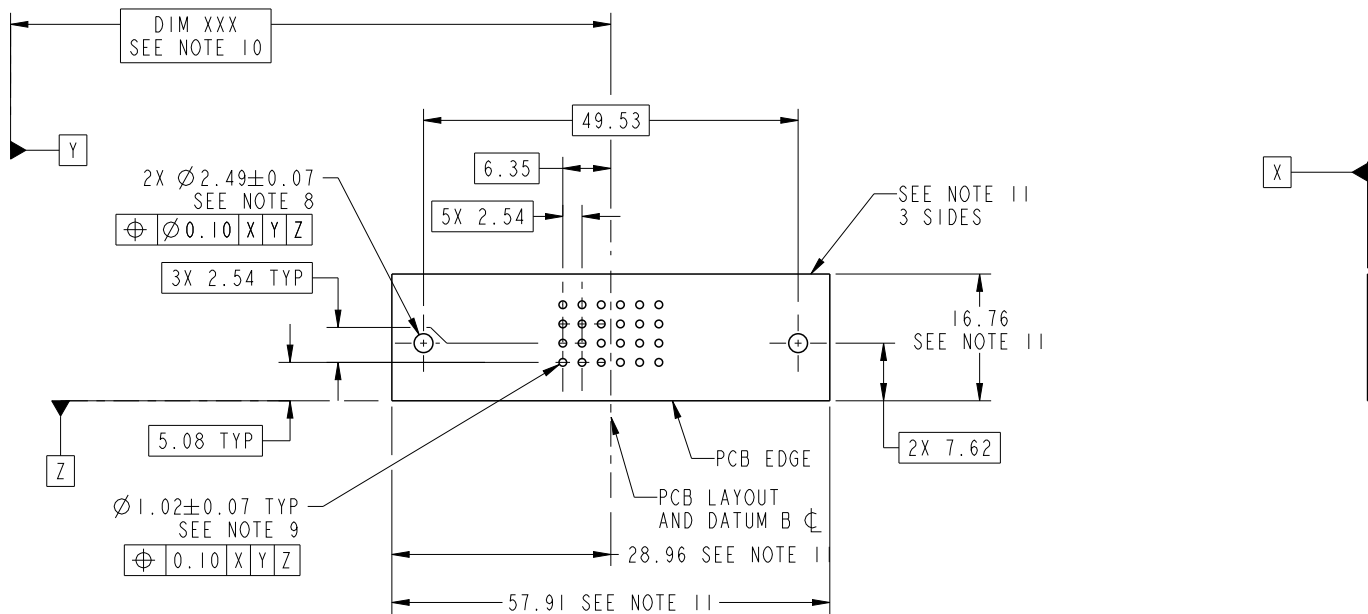


SECTION C-C

dr	Luo Weller	2012/07/03	projection 	MM 	size	A4	scale	1:1
eng	Luo Weller	2012/07/11			ecn no	-		
chr	-	-			product family	PwrBlade	rel level	Released
appr	Pei-Ming Zheng	2012/07/12			title 2P+24S+2P, empty for all power pin RIGHT ANGLE SOLDER HEADER	dwg no 51730-203	rev A	
www.fci.com		cat. no.	-	Product - Customer Drw		sheet 2 of 4		

PRODUCT NUMBER

51730-203__
NOTE: 3



RECOMMENDED PCB LAYOUT

dr	Luo Weller	2012/07/03	projection 	MM 	size	A4	scale	1:1	
eng	Luo Weller	2012/07/11			ecn no	-			
chr	-	-			rel level	Released			
appr	Pei-Ming Zheng	2012/07/12	product family	PwrBlade					
	title	2P+24S+2P, empty for all power pin RIGHT ANGLE SOLDER HEADER			dwg no	51730-203		rev	A
www.fci.com	cat. no.	-	Product - Customer Drw			sheet 3 of 4			

PRODUCT NUMBER

51730-203--
NOTE: 3

NOTES:

1. DIMENSIONS AND TOLERANCES ARE IN ACCORDANCE WITH ASME Y14.5M, 1994 UNLESS OTHERWISE SPECIFIED.

CONNECTOR NOTES:

- 2. HOUSING MATERIAL: UL 94 V-0 GLASS FILLED HIGH-TEMP THERMOPLASTIC
POWER CONTACT MATERIAL: COPPER ALLOY
SIGNAL PIN MATERIAL: COPPER ALLOY
- 3. SEE ITEM 1 & 2 IN PRINT 10064183 FOR PLATING SPEC OF 51730-203 AND 51730-203LF RESPECTIVELY.
- 4. MANUFACTURER'S NAME, DATE CODE AND OPTIONAL P/N TO APPEAR ON THIS SURFACE. THE P/N CAN BE OMITTED IF THERE IS NOT ENOUGH SPACE ON THIS SURFACE.
- 5. PRODUCT SPECIFICATION GS-12-149.
APPLICATION SPECIFICATION BUS-20-067.
- 6. PACKAGED IN TRAYS.

PCB NOTES:

- 7. ALL HOLE DIAMETERS ARE FINISHED HOLE SIZE.
- 8. MOUNTING HOLES, WHERE APPLICABLE, ARE UNPLATED.
- 9. $\varnothing 1.151 \pm 0.025$ DRILLED HOLES PLATED WITH
0.008 MIN SnPb OR Sn OVER 0.03
TO 0.08 Cu PLATING TO ACHIEVE
 $\varnothing 1.02 \pm 0.07$ HOLE.
- 10. "DIM XXX" TO BE DETERMINED BY THE CUSTOMER.
- 11. CONNECTOR KEEP-OUT ZONE.

dr	Luo Weller	2012/07/03	projection 	MM 	size	A4	scale	1:1
eng	Luo Weller	2012/07/11			ecn no	-		
chr	-	-			product family	PwrBlade	rel level	Released
appr	Pei-Ming Zheng	2012/07/12			title 2P+24S+2P, empty for all power pin RIGHT ANGLE SOLDER HEADER	dwg no 51730-203	rev A	
www.fci.com		cat. no.	-	Product - Customer Drw		sheet 4 of 4		



Copyright FCI.