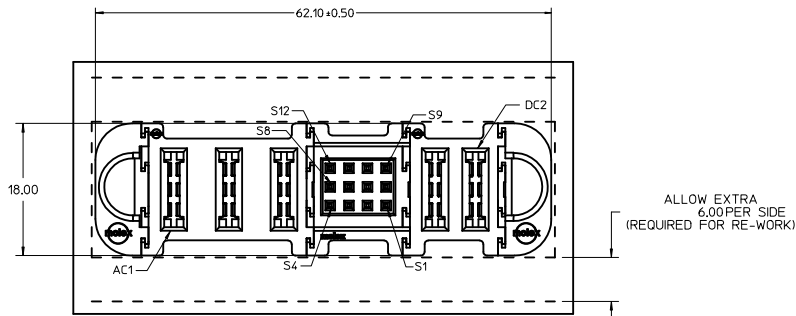
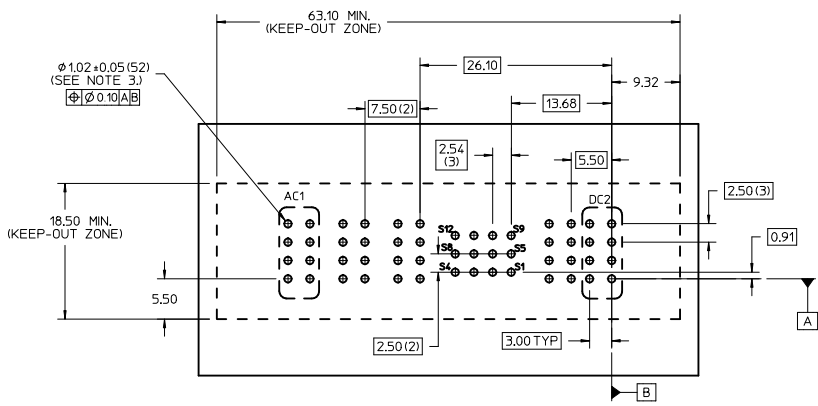
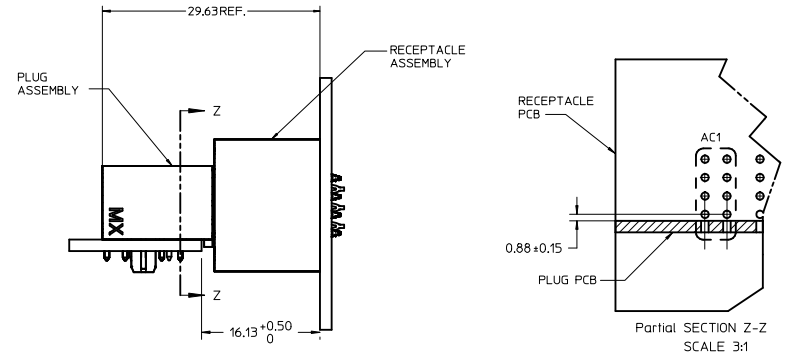


P/N: 46562-1079



ALLOW EXTRA 6.00 PER SIDE (REQUIRED FOR RE-WORK)



RECOMMENDED PCB LAYOUT AND KEEP-OUT ZONE

NOTES:

- MATERIAL:
 - HOUSINGS: LCP UL94 V-0, COLOR: BLACK.
 - TERMINALS: COPPER ALLOY.
 - PLATING: 0.000127 NICKEL OVERALL WITH 0.00254 SELECTIVE MATTE TIN ON COMPLIANT PINS.
- AND 0.000762 SELECTIVE GOLD ON CONTACT AREA.
- PACKAGING ASSEMBLIES TO BE TRAY PACKED. STD. QUANTITY: TBD.
- PC BOARD REQUIRES SOLDER THRU HOLES. REFER TO PS-46436-100 FOR DETAILS.
- PRODUCT SPEC: PS-46436-100.
- APPLICATION SPEC: AS-46436-100.
- PRODUCT TO MEET RoHS REQUIREMENTS.
- ASSEMBLY MATES WITH MOLEX PLUG ASSEMBLY, P/N 46437-1079.

RELEASED IEC NO. UCF2010-0330 DRAWN: BKOSTIC 2009/08/04 CHYD: 2009/08/26 APPR: APATEL 2009/08/27 REV DESCRIPTION	QUALITY SYMBOLS	GENERAL TOLERANCES (UNLESS SPECIFIED)	DIMENSION STYLE	SCALE	DESIGN UNITS	THIRD ANGLE PROJECTION
		mm INCH	MM ONLY	3:1	METRIC	☉
		4 PLACES ± --- ± ---	DRAWN BY	DATE	TITLE	
		3 PLACES ± --- ± .010	BKOSTIC	2009/07/14	VERTICAL RECEPTACLE ASSY	
		2 PLACES ± 0.25 ± .010	CHECKED BY	DATE	3AC-12C-2DC	
		1 PLACE ± 0.25 ± ---	BKOSTIC	2009/08/04	TEN60 POWER FAMILY	
		ANGULAR ± 1/2°	APPROVED BY	DATE	MOLEX INCORPORATED	
			JCOMERCI	2009/07/21	MOLEX INCORPORATED	
		DRAFT WHERE APPLICABLE MUST REMAIN WITHIN DIMENSIONS	MATERIAL NO.	DOCUMENT NO.	SHEET NO.	
			46562-1079	SD-46562-1079	1 OF 1	
			SIZE D	THIS DRAWING CONTAINS INFORMATION THAT IS PROPRIETARY TO MOLEX INCORPORATED AND SHOULD NOT BE USED WITHOUT WRITTEN PERMISSION		