



PART NAME

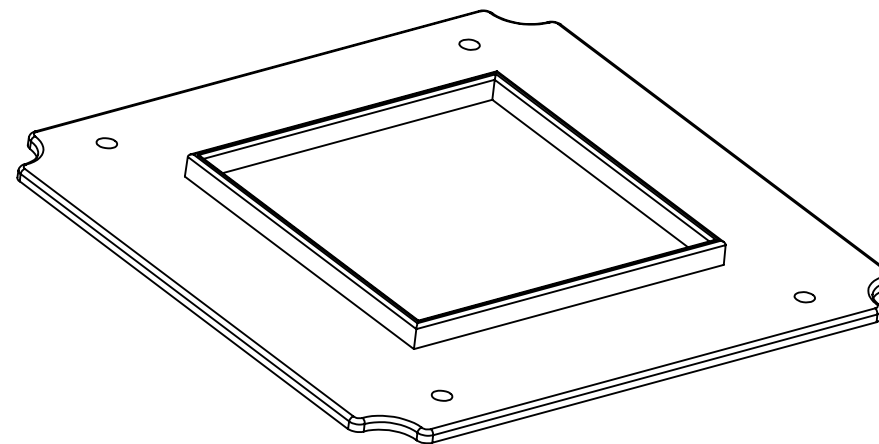
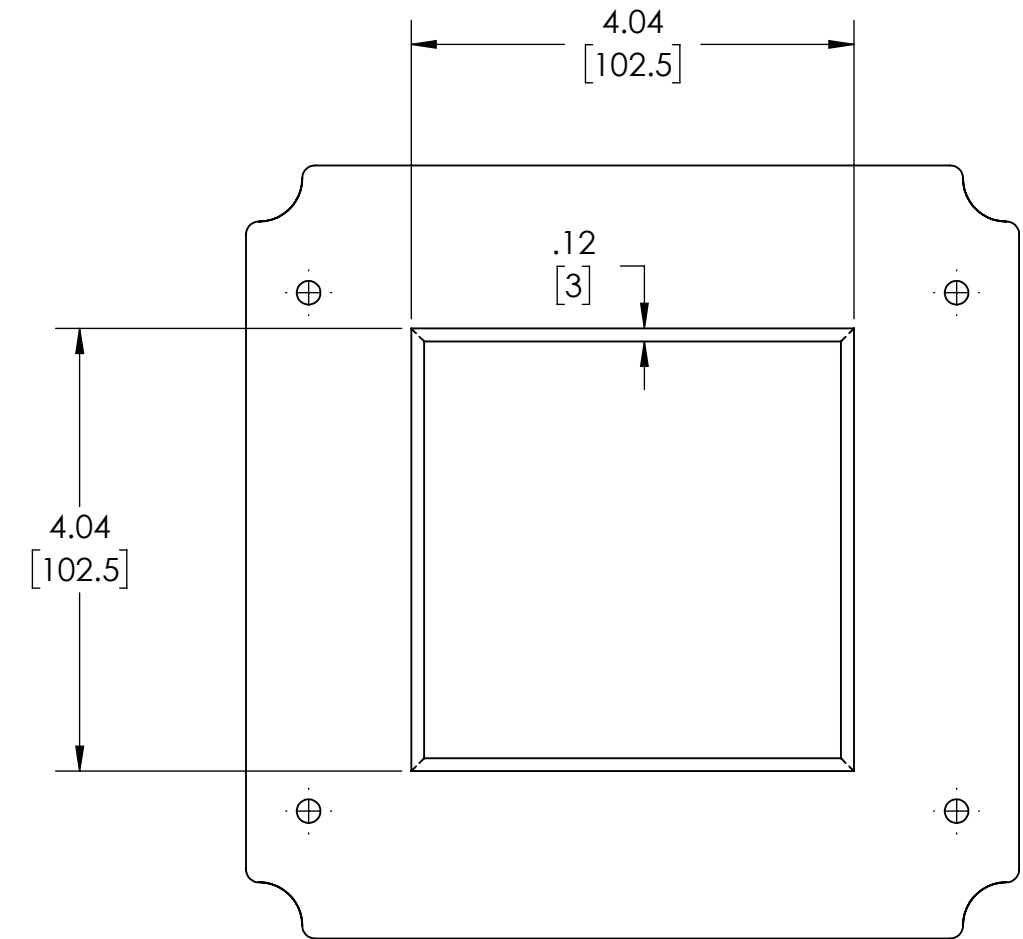
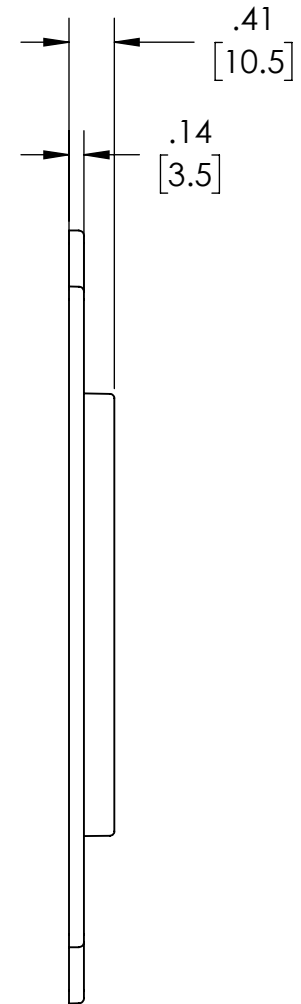
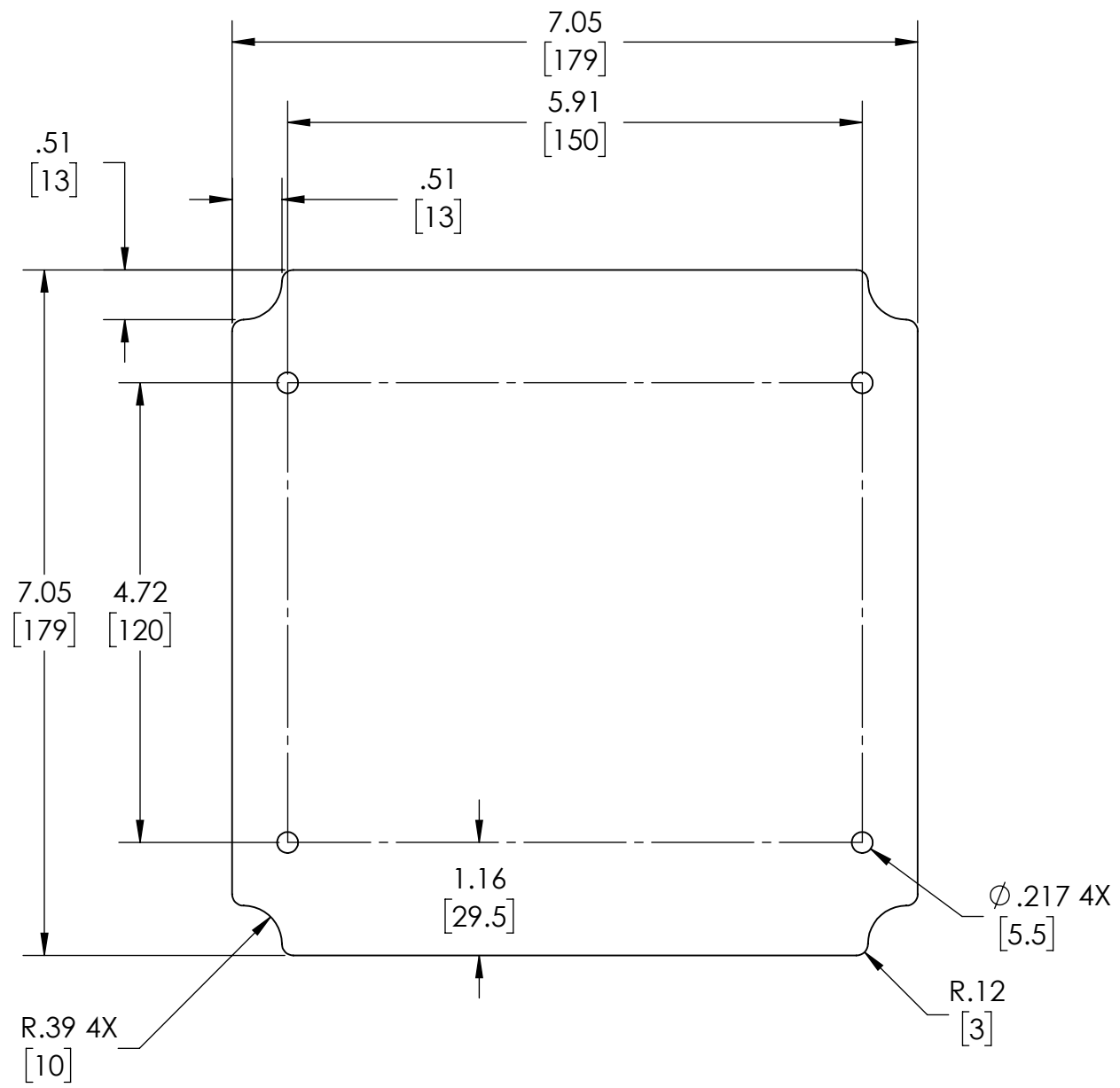
PTH MOUNTING PLATE (PLASTIC)

PART No.

PTX-22510-P

REVISION DATE

10-20-17



**DRAWING FOR REFERENCE**  
 WE RESERVE THE RIGHT TO MAKE CHANGES TO OUR  
 STANDARD PRODUCTS. PLEASE CONSULT WITH BUD INDUSTRIES  
 PRIOR TO USING THIS DRAWING FOR DESIGN PURPOSE.

MATERIAL - ABS PLASTIC

FINISH - LIGHT GRAY

DIMENSIONS IN INCH[MM]

PANEL FITS THE FOLLOWING ENCLOSURES:  
PTH-22510 & PTH-22510-C