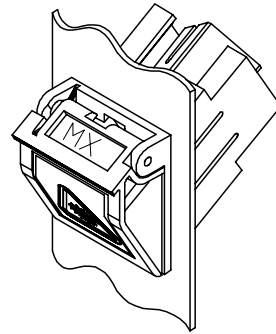
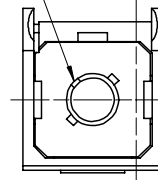


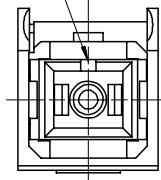
| KIT P/N     | VERSION        | SLEEVE MATERIAL | BEZEL FRAME/DOOR COLOR | ADAPTER COLOR | DOOR TYPE |
|-------------|----------------|-----------------|------------------------|---------------|-----------|
| 106004-3580 | 1<br>(ST-SC)   | PHOSPHOR BRONZE | METAL/METAL            | METAL         | MX LOGO   |
| 106004-3581 |                | ZIRCONIA        | METAL/BLACK            |               |           |
| 106004-3587 |                | PHOSPHOR BRONZE | METAL/METAL            |               |           |
| 106004-3582 | 2<br>(FC-SC)   | ZIRCONIA        | METAL/BLACK            |               |           |
| 106004-3583 |                | PHOSPHOR BRONZE | METAL/METAL            |               |           |
| 106004-3596 | 3<br>(SC-SC)   | ZIRCONIA        | METAL/BLACK            |               |           |
| 106004-3584 |                | PHOSPHOR BRONZE | METAL/METAL            |               |           |
| 106004-3585 |                | ZIRCONIA        | METAL/BLACK            |               |           |
| 106004-3586 | 4<br>(MTP-MTP) | N/A             | BLACK/BLACK            | BLACK         |           |
| 106004-3589 |                | N/A             | METAL/BLACK            | METAL         |           |
| 106004-3597 |                | N/A             | BLACK/BLACK            | BLACK         |           |
| 106004-3590 | 1<br>(ST-SC)   | PHOSPHOR BRONZE | METAL/METAL            | METAL         | NO LOGO   |
| 106004-3591 |                | ZIRCONIA        |                        |               |           |
| 106004-3592 | 2<br>(FC-SC)   | PHOSPHOR BRONZE |                        |               |           |
| 106004-3593 |                | ZIRCONIA        |                        |               |           |
| 106004-3594 | 3<br>(SC-SC)   | PHOSPHOR BRONZE |                        |               |           |
| 106004-3595 |                | ZIRCONIA        |                        |               |           |
| 106004-3598 | 4<br>(MTP-MTP) | N/A             | BLACK/BLACK            | BLACK         |           |
| 106004-3599 |                | N/A             | BLACK/BLACK            | BLACK         |           |



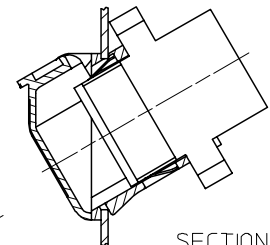
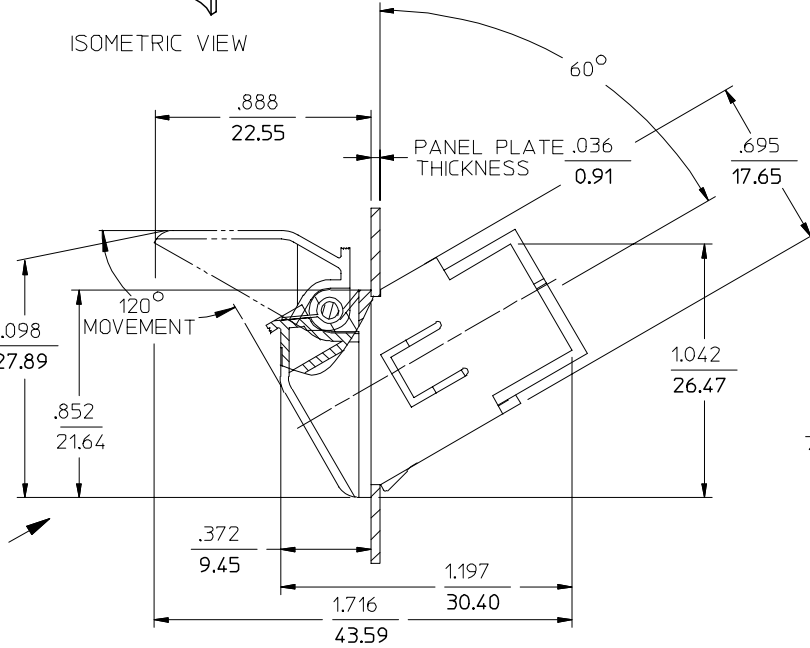
ISOMETRIC VIEW



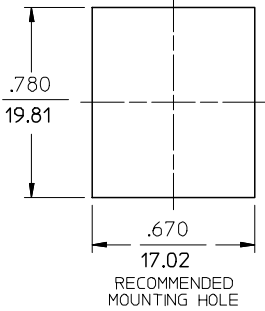
VIEW A  
VERSION 1 & 2 (KEY LOCATION)  
DOOR REMOVED  
ROTATED 30° CW



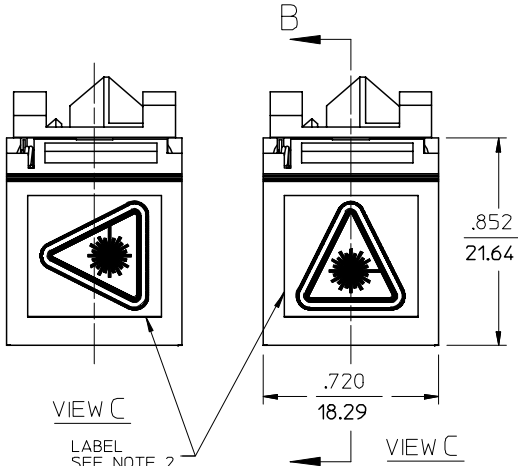
VIEW A  
VERSION 3 (SC-SC)  
DOOR REMOVED  
ROTATED 30° CW



SECTION B-B  
VERSION 4 (MTP-MTP)  
SEE NOTE 3



RECOMMENDED MOUNTING HOLE



VIEW C  
LABEL SEE NOTE 2

VIEW B

- NOTES:
- LABEL TO BE INSTALLED BY CUSTOMER.
  - MTP-MTP ADAPTER (VERSION 4) TO BE ASSEMBLED BY CUSTOMER, AFTER BEZEL IS INSTALLED IN PANEL CUTOUT.

| ENTER DESCRIPTION<br>EC NO: MF2006-0824<br>DRWNG/REVZNR 2006/06/13<br>CHKD: 2006/06/13<br>APPR: IGUMIN 2006/06/15<br>DESCRIPTION<br>REV A1 | QUALITY SYMBOLS<br>▽=0<br>▽=0 | GENERAL TOLERANCES (UNLESS SPECIFIED)<br><table border="1"> <thead> <tr> <th></th> <th>mm</th> <th>INCH</th> </tr> </thead> <tbody> <tr> <td>4 PLACES</td> <td>± .005</td> <td>± .0005</td> </tr> <tr> <td>3 PLACES</td> <td>± .005</td> <td>± .0005</td> </tr> <tr> <td>2 PLACES</td> <td>± .005</td> <td>± .0005</td> </tr> <tr> <td>1 PLACE</td> <td>± .005</td> <td>± .0005</td> </tr> <tr> <td colspan="3">ANGULAR ±1/2°</td> </tr> </tbody> </table> |                                | mm                  | INCH | 4 PLACES | ± .005 | ± .0005 | 3 PLACES | ± .005 | ± .0005 | 2 PLACES | ± .005 | ± .0005 | 1 PLACE | ± .005 | ± .0005 | ANGULAR ±1/2° |  |  | DIMENSION STYLE<br>IN/MM<br>DRAWN BY: RPACIFIC1<br>DATE: 2005/10/20<br>CHECKED BY: DATE: | SCALE<br>2:1<br>DESIGN UNITS<br>INCH<br>THIRD ANGLE PROJECTION | TITLE<br>METALIZED SIMPLEX BEZEL KITS WITH PUSH TAB |
|--|-------------------------------|--|--------------------------------|---------------------|------|----------|--------|---------|----------|--------|---------|----------|--------|---------|---------|--------|---------|---------------|--|--|--|--|---|
|  |                               | mm   | INCH                           |                     |      |          |        |         |          |        |         |          |        |         |         |        |         |               |  |  |  |  |   |
|  | 4 PLACES                      | ± .005   | ± .0005                        |                     |      |          |        |         |          |        |         |          |        |         |         |        |         |               |  |  |  |  |   |
|  | 3 PLACES                      | ± .005   | ± .0005                        |                     |      |          |        |         |          |        |         |          |        |         |         |        |         |               |  |  |  |  |   |
| 2 PLACES   | ± .005                        | ± .0005  |                                |                     |      |          |        |         |          |        |         |          |        |         |         |        |         |               |  |  |  |  |   |
| 1 PLACE  | ± .005                        | ± .0005  |                                |                     |      |          |        |         |          |        |         |          |        |         |         |        |         |               |  |  |  |  |   |
| ANGULAR ±1/2°  |                               |  |                                |                     |      |          |        |         |          |        |         |          |        |         |         |        |         |               |  |  |  |  |   |
|  |                               | APPROVED BY: DATE:   | MOLEX INCORPORATED             |                     |      |          |        |         |          |        |         |          |        |         |         |        |         |               |  |  |  |  |   |
|  |                               | MATERIAL NO.<br>SEE TABLE  | DOCUMENT NO.<br>SD-106004-35XX | SHEET NO.<br>1 OF 1 |      |          |        |         |          |        |         |          |        |         |         |        |         |               |  |  |  |  |   |
|  |                               | DRAFT WHERE APPLICABLE MUST REMAIN WITHIN DIMENSIONS   |                                |                     |      |          |        |         |          |        |         |          |        |         |         |        |         |               |  |  |  |  |   |