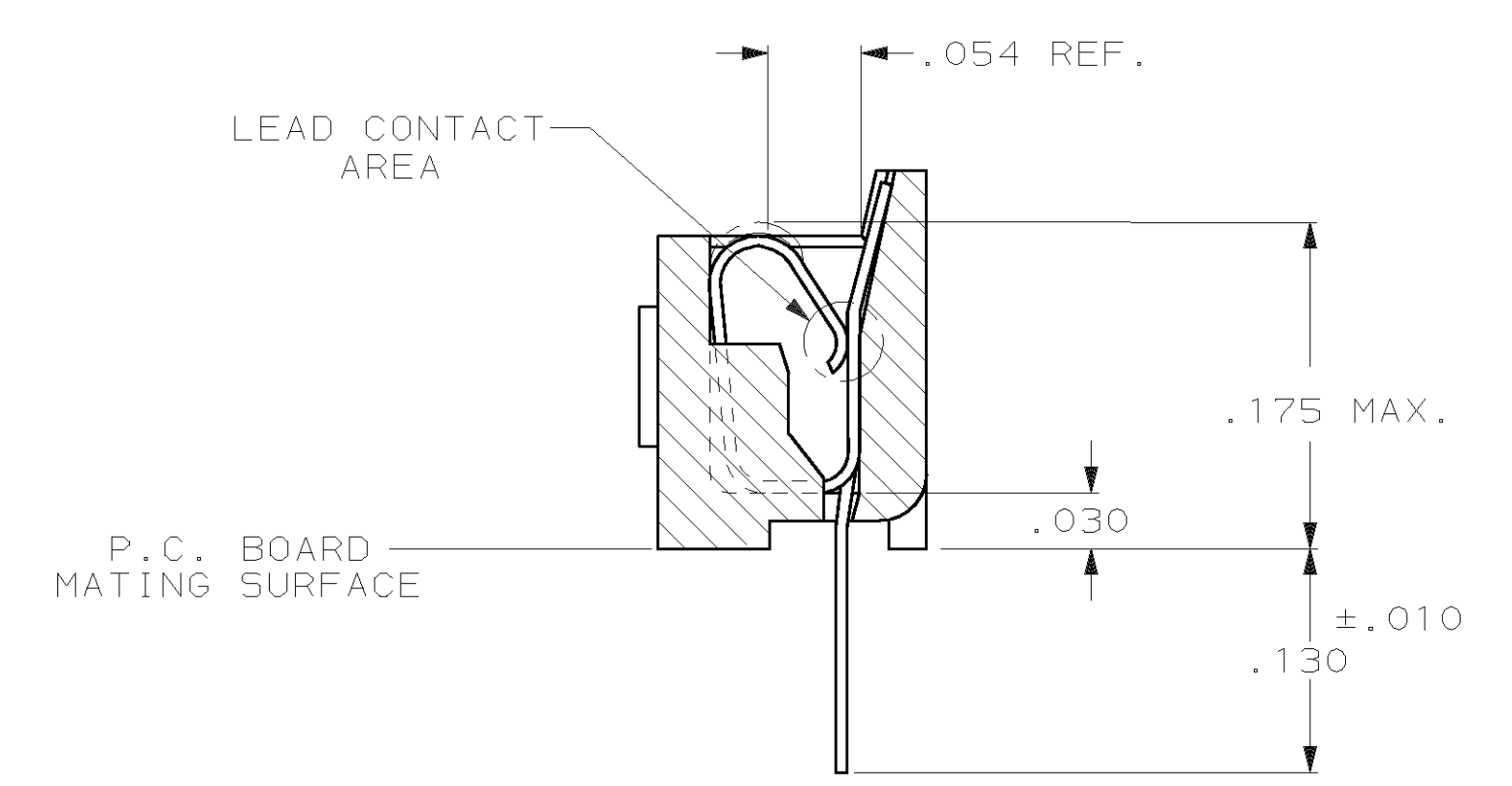
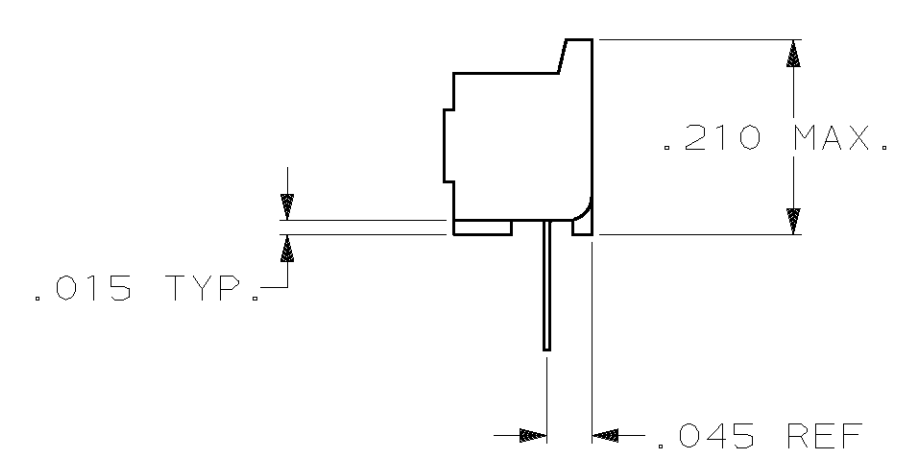
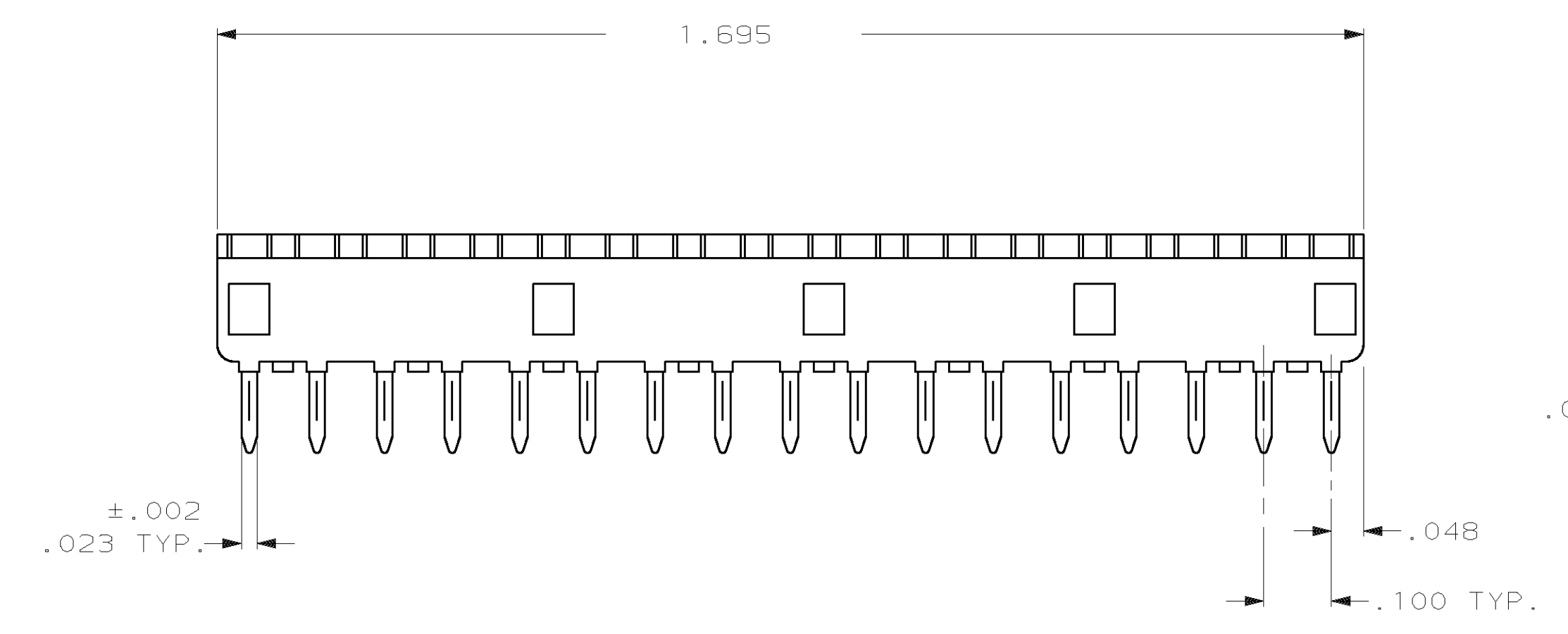
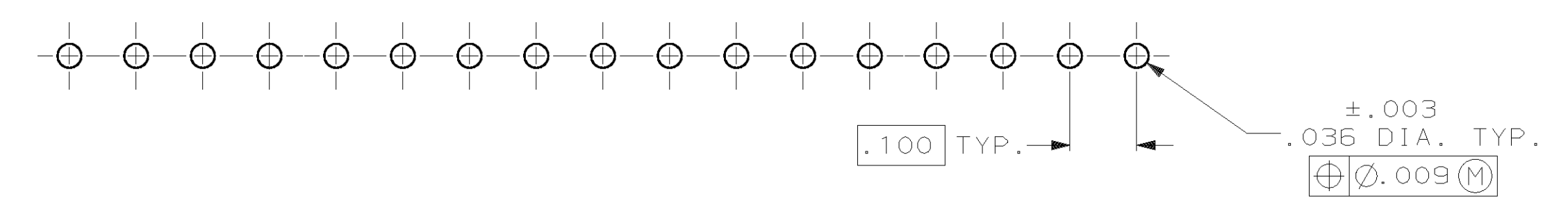


SECTION A-A
 ROTATED 90° CW
 SCALE 10:1
 FOR -6, -7 & -8 ONLY

- RECEPTACLE ACCEPTS AN .008-.014 THK. I.C. LEAD.
- TWO .000030 MIN. THK. GOLD STRIPES IN CONTACT AREA, TIN-LEAD (93-7) ON CONTACT LEGS, BALANCE OF CONTACT NICKEL PLATED.
- TWO .000015 MIN. THK. GOLD STRIPES IN CONTACT AREA, TIN-LEAD (93-7) ON CONTACT LEGS, BALANCE OF CONTACT NICKEL PLATED.
- TUBE LOADED.



SECTION A-A
 ROTATED 90° CW
 SCALE 10:1
 FOR -1, -2, -3 & 2--3 ONLY



△	TINNED	PHOS. BRZ.	GLASS-FILLED THERMOPLASTIC, 94V-0, BLACK	2-643649-3
	TINNED	PHOS. BRZ.	GLASS-FILLED THERMOPLASTIC, 94V-0, BLACK	643649-8
	△	BE. CU.	GLASS-FILLED THERMOPLASTIC, 94V-0, BLACK	643649-7
	△	BE. CU.	GLASS-FILLED THERMOPLASTIC, 94V-0, BLACK	643649-6
	△	PHOS. BRZ.	GLASS-FILLED THERMOPLASTIC, 94V-0, BLACK	643649-4
	△	PHOS. BRZ.	GLASS-FILLED THERMOPLASTIC, 94V-0, BLACK	643649-3
	△	BE. CU.	GLASS-FILLED THERMOPLASTIC, 94V-0, BLACK	643649-2
	△	BE. CU.	GLASS-FILLED THERMOPLASTIC, 94V-0, BLACK	643649-1
	TINNED	BE. CU.	GLASS-FILLED THERMOPLASTIC, 94V-0, BLACK	643649-1

CONTACT FINISH		CONTACT MAT'L		HOUSING MATERIAL		PART NO.	
THIS DRAWING IS A CONTROLLED DOCUMENT.				DWN	M. CYRUS	6-1-84	
DIMENSIONS INCHES				CHK	N. JONES	7-3-84	
TOLERANCES UNLESS OTHERWISE SPECIFIED.				APVD	J. GRAY	7-10-84	
0 PLC ±.005				PRODUCT SPEC 108-1066			
1 PLC ±.005				APPLICATION SPEC 114-1049			
2 PLC ±.005				SIZE 108-1066			
3 PLC ±.005				SCALE CODE DRAWING NO. A100779C-643649			
4 PLC ±.005				RESTRICTED TO			
ANGLES ±.1°				WEIGHT -			
MATERIAL SEE TABLE				FINISH SEE TABLE			
CUSTOMER DRAWING				SCALE 5:1		SHEET 1 OF 1	