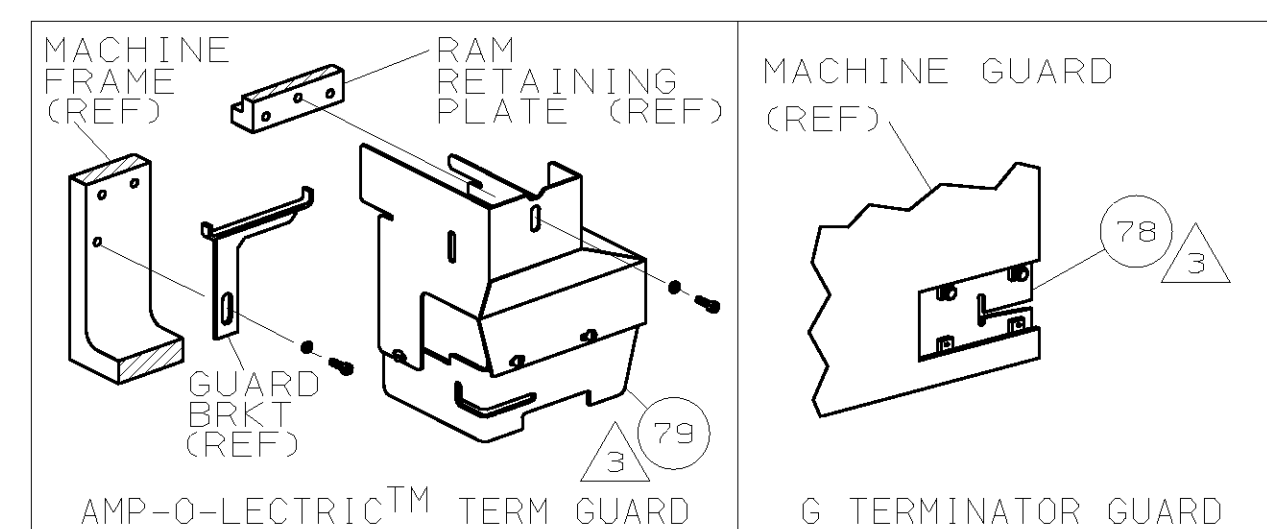


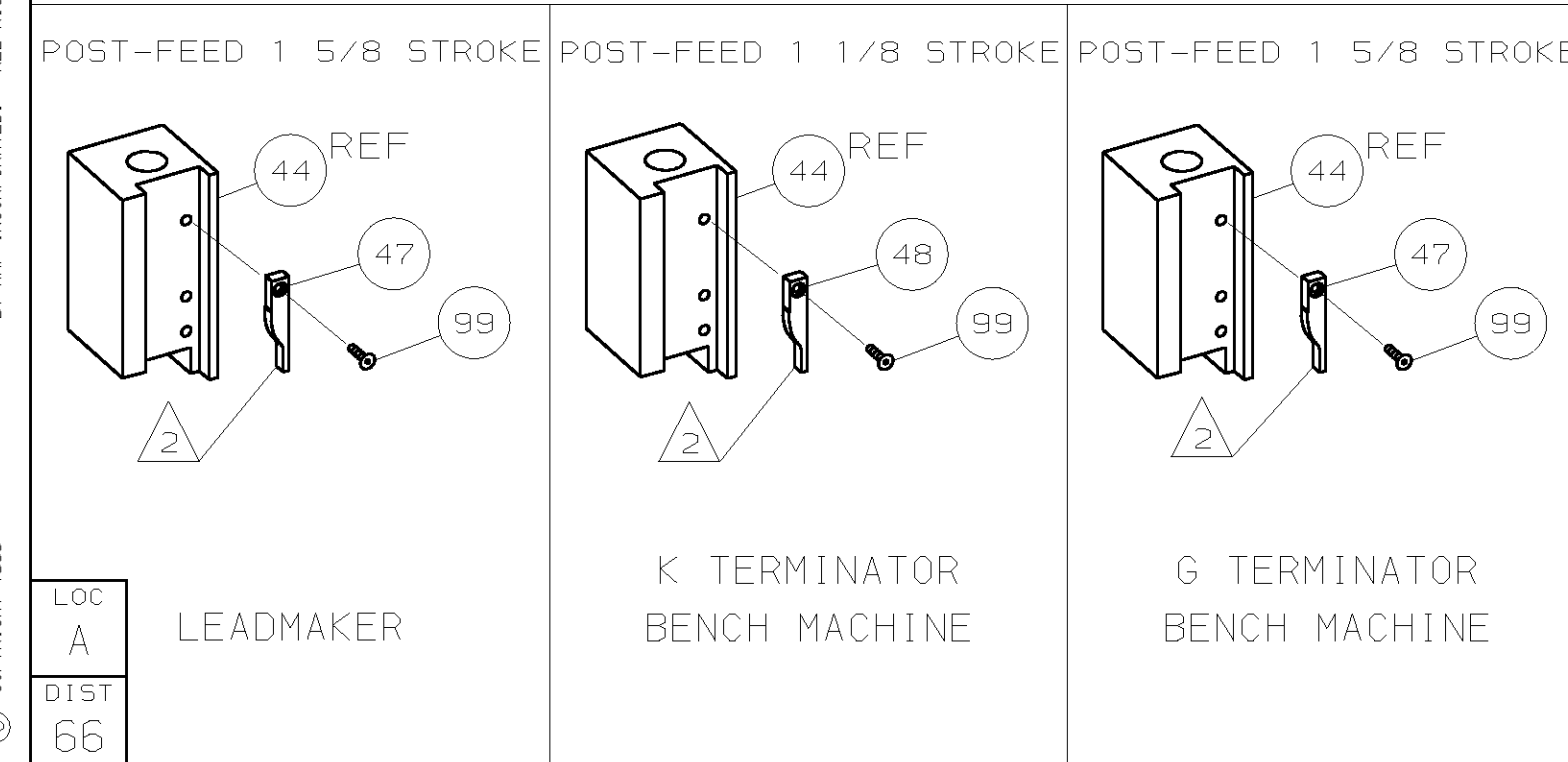
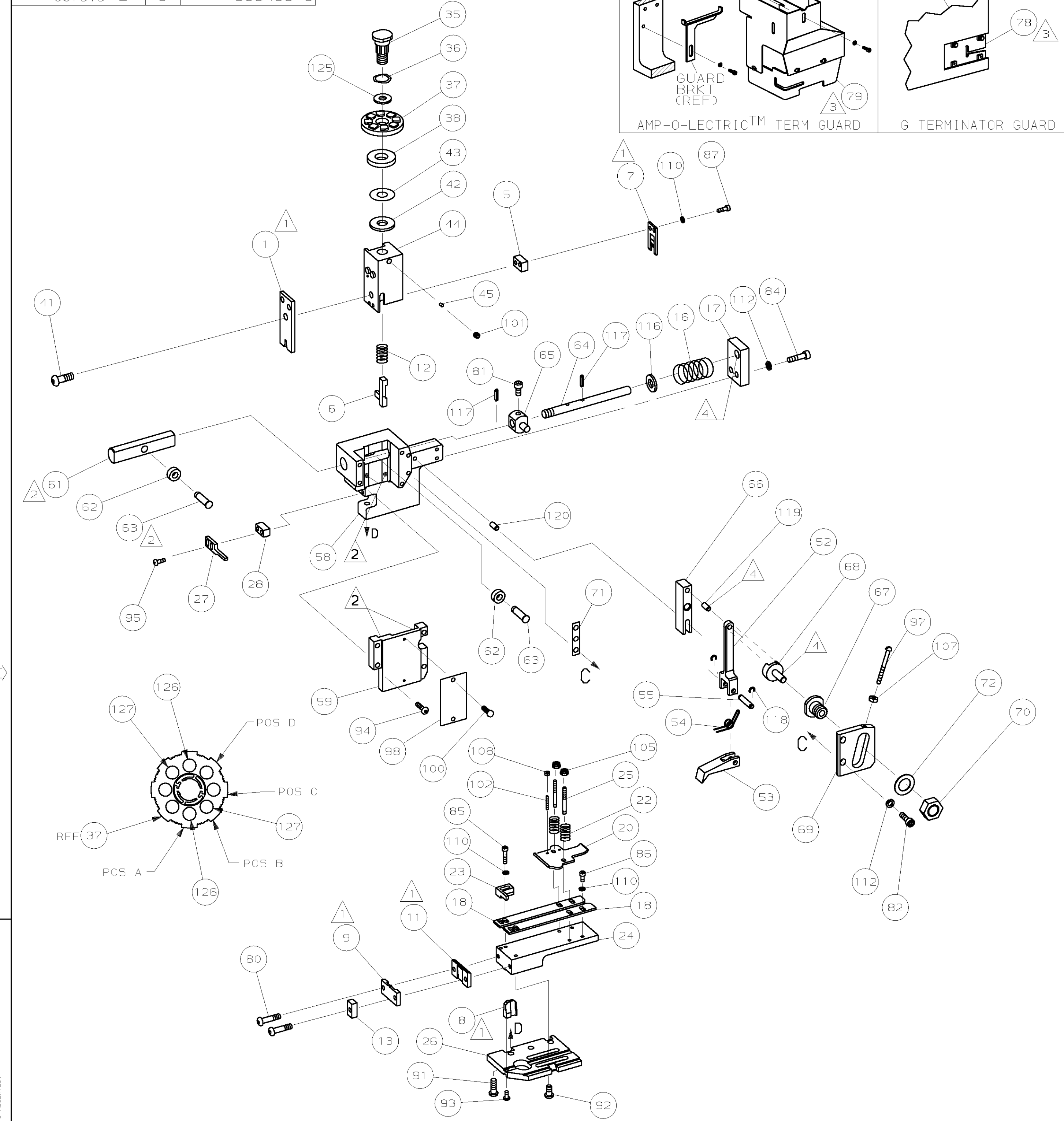
PART NUMBER	REV	FIRST USED
687919-1	B	122500-1
687919-2	D	565435-5

OBSELETE



TERMINAL NAME: TAPER PIN		42107		CRIMPING DATA	
PAD LTR	CRIMP HEIGHT	WIRE SIZE			
A	.113 ±.002 [2.87 ±0.05mm]	12			
B	.102 ±.002 [2.59 ±0.05mm]	14			
C	NOT	USED			
D	NOT	USED			
CRIMP	SIZE	TYPE	RANGE		
WIRE	.130 [3.30mm]	F	14-12		
INSUL	-	-	-		
WIRE STRIP LENGTH	TERM APPL SPEC	FEED	APPL INSTRUCTION	SET UP GAGE	LAYOUT
.183-.213	114-7006	.829	408-8039	458638-1	L330

REV	QTY	U/M	DWG SIZE	PART NO	DESCRIPTION	ITEM NO
-1					LEADMAKER & MECH POST FEED	
-2					BENCH MODEL K MECH POST FEED	
REF	REF	-	A	22594-8	NUT, HEX	70
REF	REF	-	B	240628-1	PLATE, ADJ	69
REF	REF	-	B	240626-1	SHAFT, PIVOT	68
REF	REF	-	B	240633-1	BUSHING	67
REF	REF	-	A	455680-1	LEVER, INTERMEDIATE	66
REF	REF	-	B	240629-1	BLOCK, PIVOT	65
REF	REF	-	A	240632-2	SCR, ADJ	64
REF	REF	-	B	240659-3	PIN, CAM ROLLER	63
REF	REF	-	B	240658-1	CAM, ROLLER	62
REF	REF	-	B	454398-1	ROD, FEED	61
REF	REF	-	C	454220-1	CAP, RAM	60
REF	REF	-	D	453736-1	HOUSING	59
REF	REF	-	B	240624-1	PIN, FEED FINGER	55
REF	REF	-	B	691499-1	SPRING, FEED FINGER	54
REF	REF	-	B	240635-1	FINGER, FEED	53
REF	REF	-	B	240634-1	LEVER, TERMINAL	52
REF	REF	-	A	1-21030-7	PIN, DOWEL (Ø.187x1.50)H5G	120
REF	REF	-	A	1-21030-1	PIN, DOWEL (Ø.187x.50)LEVER	119
REF	REF	-	A	21045-3	RING, RET "C" (Ø.187)FD PIN	118
REF	REF	-	A	5-21028-1	PIN, STD SPRING (Ø.12)FD ADJ ROD	117
REF	REF	-	A	21899-4	WASHER, FLAT (Ø5/16)SCR ADJ	116
REF	REF	-	A	21024-5	WASHER, LOCK (NO.10)FD ROD GDE	111
REF	REF	-	A	21024-4	WASHER, LOCK (NO.8)SHEAR BL	110
REF	REF	-	A	21018-4	NUT, HEX (4-40)DRAG	108
REF	REF	-	A	21018-5	NUT, HEX (6-32)FD ADJ PL	107
REF	REF	-	A	21022-2	NUT, HEX 5L (8-32)DRAG STUD	105
REF	REF	-	A	2-21006-6	SCR, SKT SET (4-40x.62)DRAG	102
REF	REF	-	A	21009-2	SCR, SKT SET (1/4-20x.25)RAM	101
REF	REF	-	A	21017-2	SCR, DRIVE (#2x.19) ID PLATE	100
REF	REF	-	A	1-21002-7	SCR, BHC (6-32x.38) CAM	99
REF	REF	-	B	461264-1	PLATE, IDENTIFICATION	98
REF	REF	-	A	6-23715-5	SCR, PAN HD (6-32x1.50)FEED ADJ	97
REF	REF	-	A	2-21002-2	SCR, BHC (8-32x.50)STRIPPER	95
REF	REF	-	A	2-21002-9	SCR, BHC (10-32x.75)H5G CAP	94
REF	REF	-	A	22733-8	SCR, BHC (8-32x.38 LW) ANVIL	93
REF	REF	-	A	3-21002-3	SCR, BHC (1/4-20x.50)ST 6D PL	92
REF	REF	-	A	2-22733-8	SCR, BHC (1/4-20x.62)BASE PL	91
REF	REF	-	A	2-21000-8	SCR, 5HC (8-32x.62)SLUG BLADE	87
REF	REF	-	A	2-21000-6	SCR, 5HC (8-32x.38)STRIP GUIDE	86
REF	REF	-	A	2-21000-9	SCR, 5HC (8-32x.75)R STRIP GUIDE	85
REF	REF	-	A	3-21000-7	SCR, 5HC (10-32x.75)FEED ROD GDE	84
REF	REF	-	A	3-21000-6	SCR, 5HC (10-32x.62)FEED ADJ PL	83
REF	REF	-	A	3-21000-4	SCR, 5HC (10-32x.38)PIVOT BLOCK	81
REF	REF	-	A	3-21002-0	SCR, BHC (10-32x.88)SHEAR PL	80
REF	REF	-	A	455745-1	GUARD, WINDOW	79
REF	REF	-	A	679532-1	INSERT, GUARD	78
REF	REF	-	A	458109-1	WASHER, FLAT (SPECIAL)	72
REF	REF	-	A	690517-1	SPACER	71
-2	-1	U/M	DWG SIZE	PART NO	DESCRIPTION	ITEM NO



- 1 RECOMMENDED SPARE PARTS.
- 2 GREASE LIGHTLY.
- 3 GUARD MUST BE IN PLACE WHEN OPERATING APPLICATOR IN A BENCH MACHINE.
- 4 LUBRICATE DAILY USING NO. 20 MACHINE OIL.
- 5. ITEMS WITH QTY OF REF SPECIFIED (EXCEPT ITEMS 78 AND 79) ARE USED ON ITEM 32.
- 6 ITEM 78 USED WITH G TERMINATOR ONLY.

QTY	RECD	PER	ASSY	PARTS LIST
2	2	-	C	4-354778-7 PIN, WIRE DISC (.2730)B
2	2	-	C	2-354778-5 PIN, WIRE DISC (.2620)A
1	-	-	A	986950-1 WASHER, FLAT PRECISION
1	-	-	A	217238-1 GENERAL INSTRUCTION PACKAGE
1	-	-	-	4088039 EF APPL INST 408-8039
REF	REF	-	A	1-21030-7 PIN, DOWEL (Ø.187x1.50)H5G
REF	REF	-	A	1-21030-1 PIN, DOWEL (Ø.187x.50)LEVER
REF	REF	-	A	21045-3 RING, RET "C" (Ø.187)FD PIN
REF	REF	-	A	5-21028-1 PIN, STD SPRING (Ø.12)FD ADJ ROD
REF	REF	-	A	21899-4 WASHER, FLAT (Ø5/16)SCR ADJ
REF	REF	-	A	21024-5 WASHER, LOCK (NO.10)FD ROD GDE
REF	REF	-	A	21024-4 WASHER, LOCK (NO.8)SHEAR BL
REF	REF	-	A	21018-4 NUT, HEX (4-40)DRAG
REF	REF	-	A	21018-5 NUT, HEX (6-32)FD ADJ PL
REF	REF	-	A	21022-2 NUT, HEX 5L (8-32)DRAG STUD
REF	REF	-	A	2-21006-6 SCR, SKT SET (4-40x.62)DRAG
REF	REF	-	A	21009-2 SCR, SKT SET (1/4-20x.25)RAM
REF	REF	-	A	21017-2 SCR, DRIVE (#2x.19) ID PLATE
REF	REF	-	A	1-21002-7 SCR, BHC (6-32x.38) CAM
REF	REF	-	B	461264-1 PLATE, IDENTIFICATION
REF	REF	-	A	6-23715-5 SCR, PAN HD (6-32x1.50)FEED ADJ
REF	REF	-	A	2-21002-2 SCR, BHC (8-32x.50)STRIPPER
REF	REF	-	A	2-21002-9 SCR, BHC (10-32x.75)H5G CAP
REF	REF	-	A	22733-8 SCR, BHC (8-32x.38 LW) ANVIL
REF	REF	-	A	3-21002-3 SCR, BHC (1/4-20x.50)ST 6D PL
REF	REF	-	A	2-22733-8 SCR, BHC (1/4-20x.62)BASE PL
REF	REF	-	A	2-21000-8 SCR, 5HC (8-32x.62)SLUG BLADE
REF	REF	-	A	2-21000-6 SCR, 5HC (8-32x.38)STRIP GUIDE
REF	REF	-	A	2-21000-9 SCR, 5HC (8-32x.75)R STRIP GUIDE
REF	REF	-	A	3-21000-7 SCR, 5HC (10-32x.75)FEED ROD GDE
REF	REF	-	A	3-21000-6 SCR, 5HC (10-32x.62)FEED ADJ PL
REF	REF	-	A	3-21000-4 SCR, 5HC (10-32x.38)PIVOT BLOCK
REF	REF	-	A	3-21002-0 SCR, BHC (10-32x.88)SHEAR PL
REF	REF	-	A	455745-1 GUARD, WINDOW
REF	REF	-	A	679532-1 INSERT, GUARD
REF	REF	-	A	458109-1 WASHER, FLAT (SPECIAL)
REF	REF	-	A	690517-1 SPACER

QTY	RECD	PER	ASSY	PARTS LIST
1	1	-	C	456410-7 CRIMPER, WIRE
-2	-1	U/M	DWG SIZE	PART NO