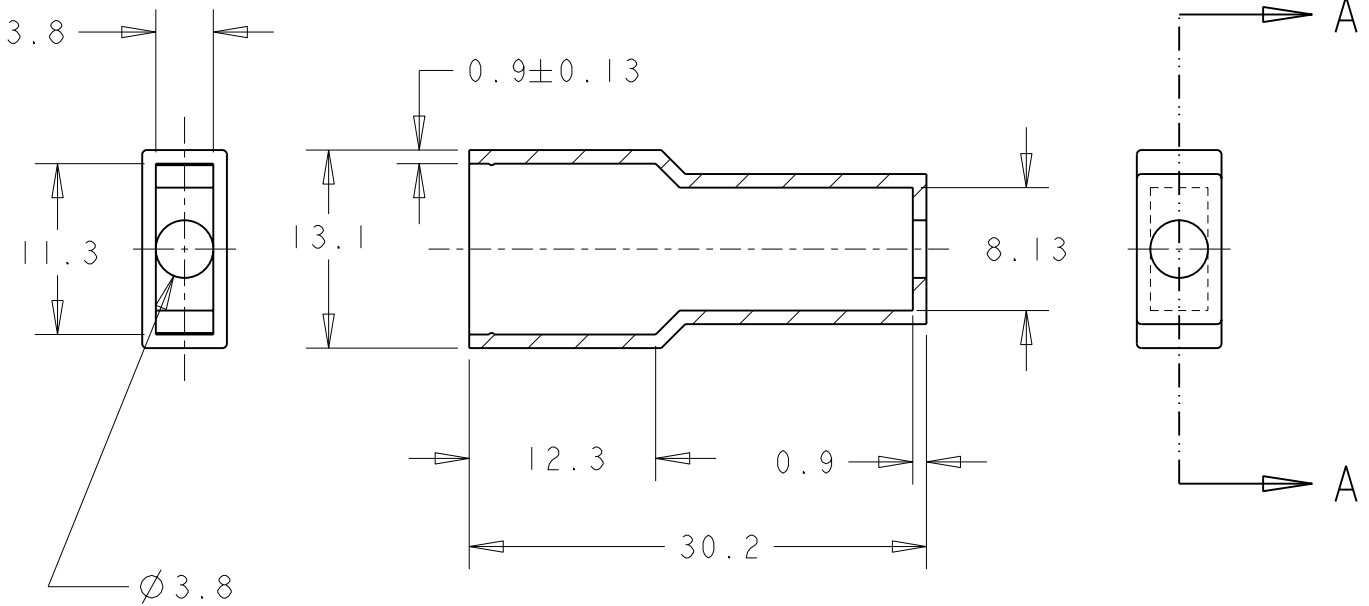


LOC		DIST		REVISIONS			
P	LTR	DESCRIPTION		DATE	DWN	APVD	
		A1		REDRAWN WITHOUT CHANGE	15NOV2007	J.L	J.S
		A2		DIM. 8.13 CORRECTED	09DEC2010	PKS	MP



SECTION A - A

POLIETILENO

VER NOTA	I	NATURAL	735014-0
MATERIAL		COLOR	REFERENCIA

DIMENSIONS: mm	DWN J.Lazaro	15NOV2007	MATERIAL		FINISH	Natural
	CHK J.Salo	15NOV2007	Tyco Electronics AMP Española S.A Barcelona / España			
TOLERANCES UNLESS OTHERWISE SPECIFIED:	APVD L.Batillo	15NOV2007				
	0 PLC ±General	PRODUCT SPEC	SIZE	CAGE CODE	DRAWING NO	RESTRICTED TO
1 PLC ±Tolerance	-	APPLICATION SPEC	A4	00779	©-735014	-
2 PLC ±±0.4	WEIGHT	-	CUSTOMER DRAWING			
3 PLC ±			SCALE	2:1	SHEET	1 OF 1
4 PLC ±						REV A2
ANGLES ±						