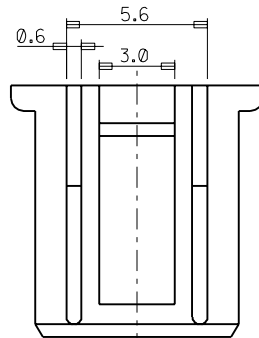
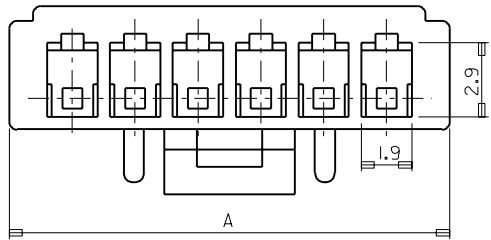
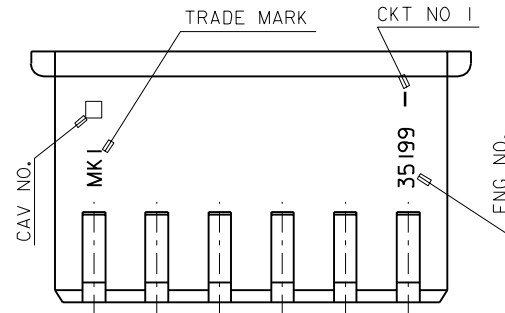
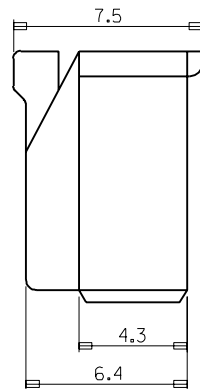
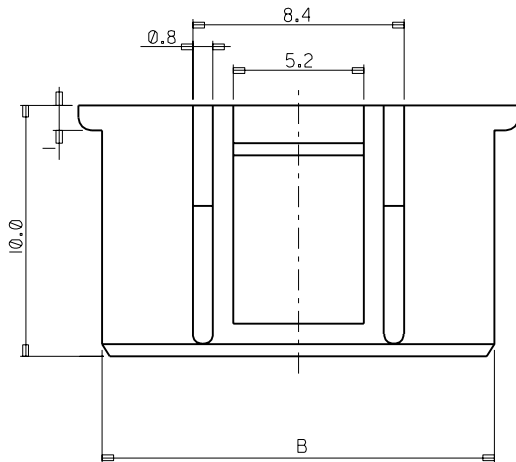
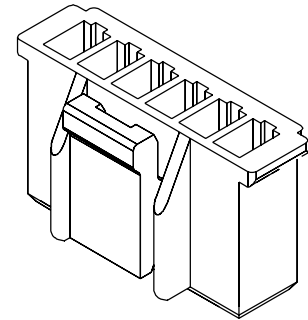


PROJECT NO. SIMILAR ITEM EDP NO. 35 199-**-**00 ENG. NO. SD 35 199-**-**00

8 7 6 5 4 3 2 1



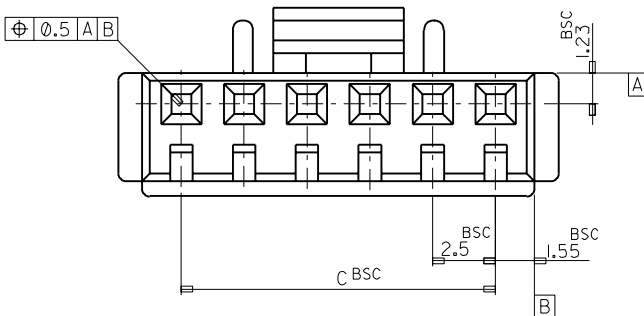
3 CKT ONLY



NOTE

- MATERIAL : PBT UL94V-0
- USED TERMINAL : 35074-8001/9002
- MATED : 35312/35184

35.0	38.1	40.0	35 199-1500	15
32.5	35.6	37.5		14
30.0	33.1	35.0		13
27.5	30.6	32.5		12
25.0	28.1	30.0		11
22.5	25.6	27.5		10
20.0	23.1	25.0		9
17.5	20.6	22.5		8
15.0	18.1	20.0		7
12.5	15.6	17.5		6
10.0	13.1	15.0		5
7.5	10.6	12.5		4
5.0	8.1	10.0	35 199-0300	3
C	B	A	ENG. NO.	CKT



				MATERIAL PBT UL94V-0	molex MOLEX-KOREA CO.,LTD.	
C	REVISED	97-038	97 4/07	GENERAL TOLERANCE DIMENSION : 0.2	DRAWN BY H.S.SHIN	CHK'D BY
B	REVISED	96-094	96 8/20	ANGLE : 1°	APP'D BY	SCALE 5-1
A	NEW RELEASED	96-047	96 4/15	DIMENSION CLASSIFICATION ▽ : CRITICAL ▼ : MAJOR	TITLE : 2.5 PITCH W/B CONN. HOUSING	SHEET 1/1
Ø	PROPOSAL		96 2/23	() : REFERENCE	ENG. NO. SD 35 199-**-**00	REV C
LTR	REVISION RECORD	ECN	DATE	ASS'Y PART DESCRIPTION ENG. NO.		
REVISE ONLY ON CAD SYSTEM						