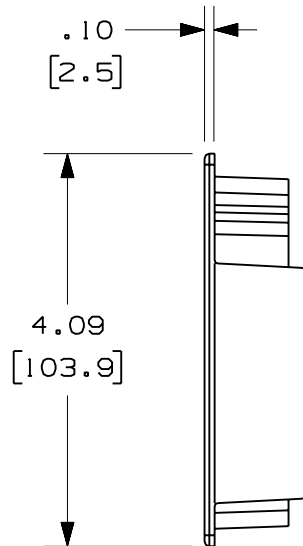
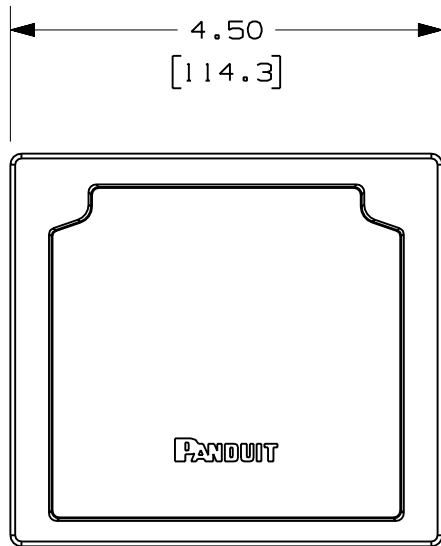
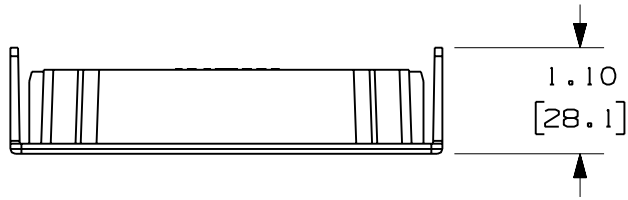


THIS COPY IS PROVIDED ON A RESTRICTED BASIS AND IS NOT TO BE USED IN ANY WAY DETRIMENTAL TO THE INTERESTS OF PANDUIT CORP.

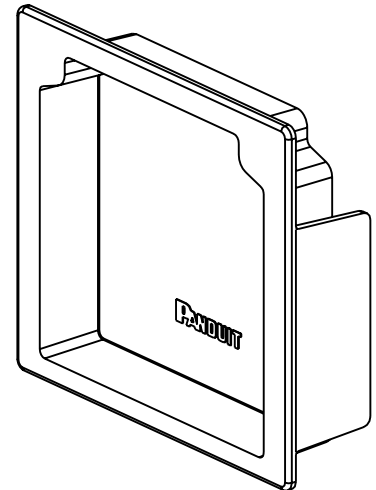


PANDUIT PART NUMBER	WEIGHT
FHDEC4X4	0.14 LB/EACH (63g/EACH)



NOTES:

1. SEE CURRENT CATALOG FOR ADDITIONAL PART SUFFIXES TO INDICATE COLOR AND/OR PACKAGE QUANTITY.
2. DIMENSIONS IN PARENTHESES ARE IN METRIC.



ENG. REF.: D38813BG_DC_FHDEC4X4_01.prt

CAD FILENAME/LAYERS FHDEC4X4.pdf

PANDUIT CORP TINLEY PARK, ILLINOIS
 PANDUCT TYPES H AND HS 4x4
 WIRING DUCT END CAP (FHDEC4X4)
 CUSTOMER DRAWING

UNLESS OTHERWISE SPECIFIED,
 DIMENSIONAL TOLERANCES ARE:
 (.X) ± (.XXX) ±
 (.XX) ± .03 (.8) ANGLES ±

UNLESS OTHERWISE SPECIFIED,
 ALL DIMENSIONS ARE GIVEN IN
 INCHES, THIRD ANGLE PROJECTION.

1	6-21-06	DTP	RN	A. REVISED PART WEIGHT	38813-02	RN	RN				
R	6-28-05	MSO	SMF	RELEASED TO PRODUCTION	38813-02	RN	RN				
REV	DATE	BY	CHK	DESCRIPTION	ECN	R	CUST	SUP	GMBH		

DRAWN BY MSO	MAT'L: ABS	SCALE NONE
DATE 6-28-05		DRAWING NO. 38813-02
CHK'D SMF		DWG A SIZE