

THIS DRAWING IS UNPUBLISHED.

RELEASED FOR PUBLICATION

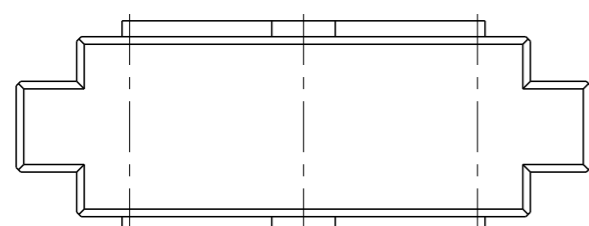
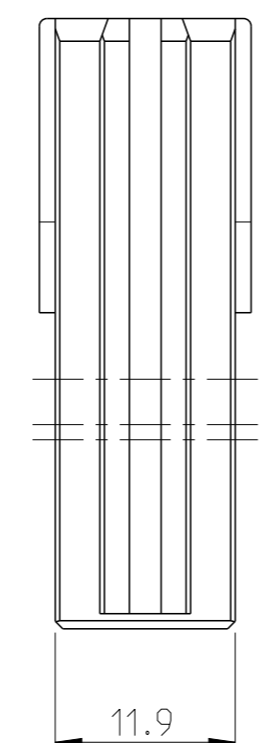
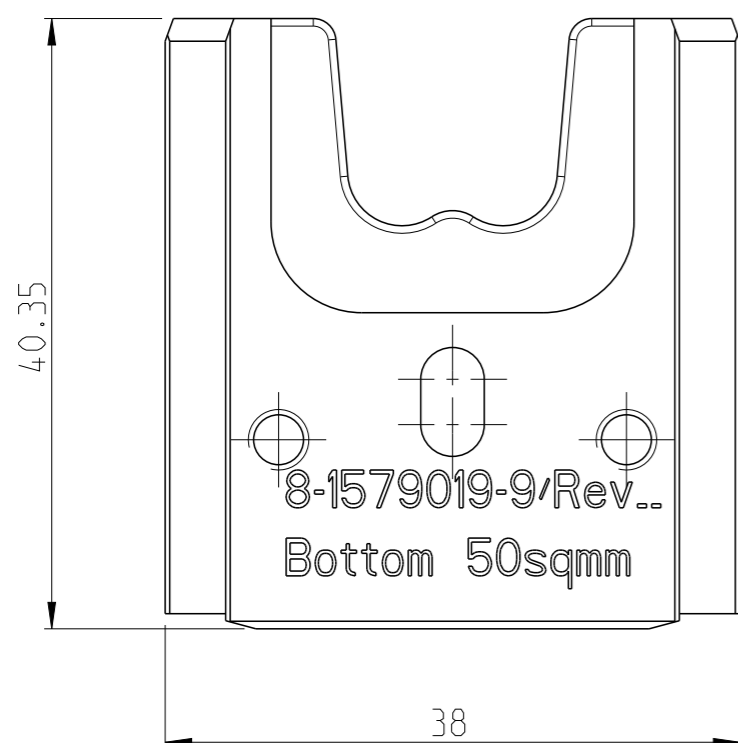
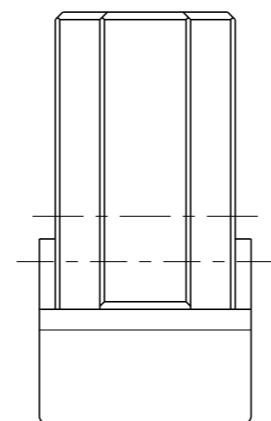
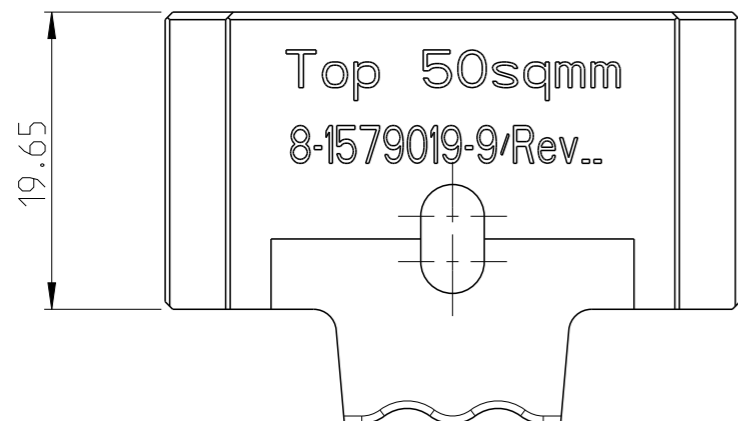
20

© COPYRIGHT 20 BY -

ALL RIGHTS RESERVED.

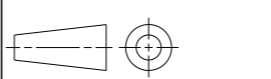
REVISIONS

P	LTR	DESCRIPTION	DATE	DWN	APVD
	A	Initial Release	27AUG2013	MG	RG



THIS DRAWING IS A CONTROLLED DOCUMENT.

DIMENSIONS:
mm



TOLERANCES UNLESS OTHERWISE SPECIFIED:

0 PLC	±
1 PLC	±
2 PLC	±
3 PLC	±
4 PLC	±
ANGLES	±1°
FINISH	-

MATERIAL
-

DWN M. Goetz 27AUG2013
 CHK R. Germann 27AUG2013
 APVD R. Germann 27AUG2013

PRODUCT SPEC -
 APPLICATION SPEC -
 WEIGHT 183g

STE TE Connectivity

NAME
DIE SET IPT-VW WIRE, 50SQ.MM
DIE SET IPT-VW Draht, 50Q.MM

SIZE	CAGE CODE	DRAWING NO	RESTRICTED TO
A3	-	8-1579019-9	-

SCALE 2:1 SHEET 1 OF 1 REV A