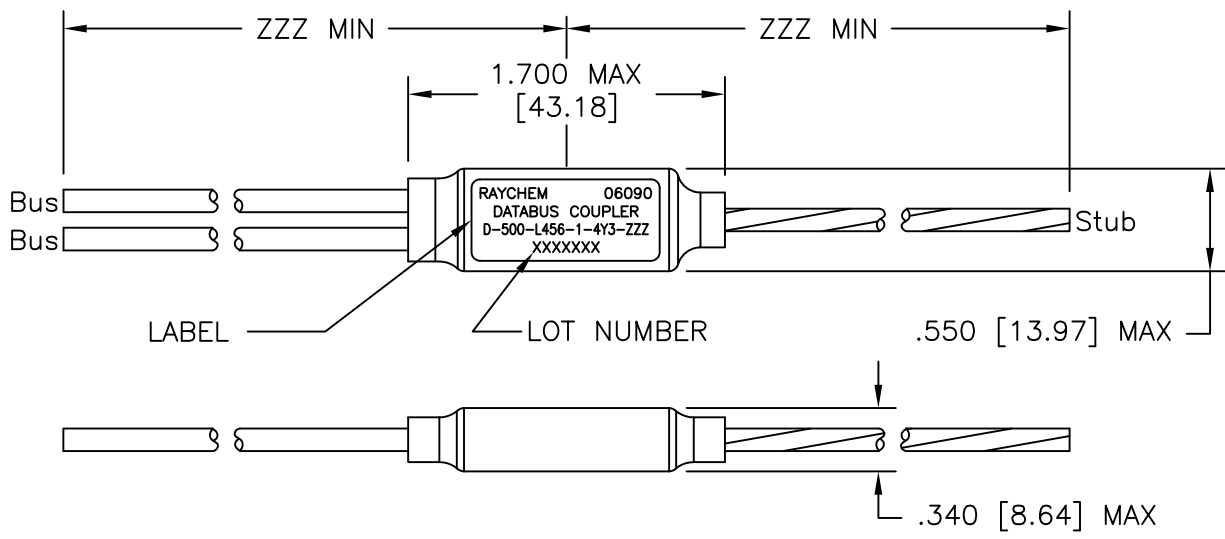


REVISION			
REV	DESCRIPTION	DATE	APPVD
B	REVISED NOTE 2.2 PER ECO-13-012558	8/5/13	LR

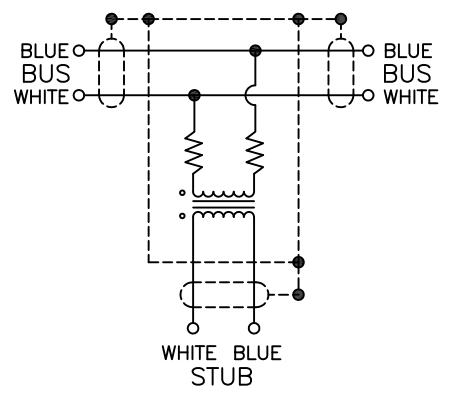


**COMPONENT NUMBER**

D-500-L456-1-4Y3-ZZZ

6: REVERSE CONFIGURATION  
 No. OF STUBS  
 CABLE LENGTH (INCHES)  
 CABLE TYPE: 7724Y3664

**SINGLE STUB COUPLER SCHEMATIC**



**1.0 MATERIAL AND FINISHES:**

**1.1 INTERNAL COMPONENTS:**

- TRANSFORMER TO MIL-PRF-21038 AND MIL-STD-1553B
- RESISTORS TO MIL-PRF-39007/9, 57.6 OHMS

1.2 SHIELDED CASE: ALUMINUM PER ASTM B618 OR ASTM B211.

1.3 SEALED COVER: MODIFIED CROSS-LINKED, FLAME RETARDANT, BLACK, FLUOROPOLYMER TO RAYCHEM SPECIFICATION RT-370.

1.4 CABLE TO RAYCHEM SPECIFICATION: 1200.

**2.0 APPLICATION:**

2.1 THIS COUPLER IS DESIGNED TO BE INSTALLED INTO A DIGITAL MULTIPLEX ASSEMBLY MEETING THE REQUIREMENTS OF MIL-STD-1553B.

2.2 CABLE SPLICING: USE FLEXIBLE SPLICE KIT D-150-0250-RT OR D-150-0251-RT (NOT SUPPLIED)

2.3 CABLE BEND RADIUS PER SAE-AS50881 STATIC BEND: 5 x CABLE O.D. MIN.

DYNAMIC BEND: 10 x CABLE O.D. MIN.

**3.0 TEMPERATURE:**

3.1 OPERATING TEMPERATURE: -65°C TO +150°C

**4.0 PERFORMANCE SPECIFICATIONS:**

4.1 COUPLER MEETS THE PERFORMANCE REQUIREMENTS OF MIL-STD-1553B.

**5.0 WEIGHT:**

5.1 WEIGHT WITHOUT CABLE: 6.5g MAX

© 2013 Tyco Electronics Corporation. All Rights Reserved.  
 Raychem Databus CUSTOMER DRAWING

DIMENSIONING AND TOLERANCING PER ASME Y14.5M-2009  UNLESS OTHERWISE SPECIFIED DIMENSIONS ARE INCHES. METRIC DIMENSIONS ARE IN BRACKETS. DECIMAL TOLERANCES .XXX ±--- [---mm] .XX ±--- [---mm] .X ±--- [---mm] ANGLE TOLERANCE .X ±---	DRAWN G.Rositano	DATE 2/26/2013	 TE Connectivity
	MATERIAL  FINISH  THIRD ANGLE PROJECTION	TITLE DATABUS MICROCOUPLER, SINGLE STUB, REVERSE CONFIGURATION WITH 7724Y3664 CABLE, LIGHTWEIGHT	
		SIZE A	CODE IDENT. NO. 06090
			DWG. NO. D-500-L456-1-4Y3-ZZZ
CAD FILE: D-500-L456-1-4Y3-ZZZ_CD_B		DO NOT SCALE THIS DRAWING	
		SHEET 1 OF 1	