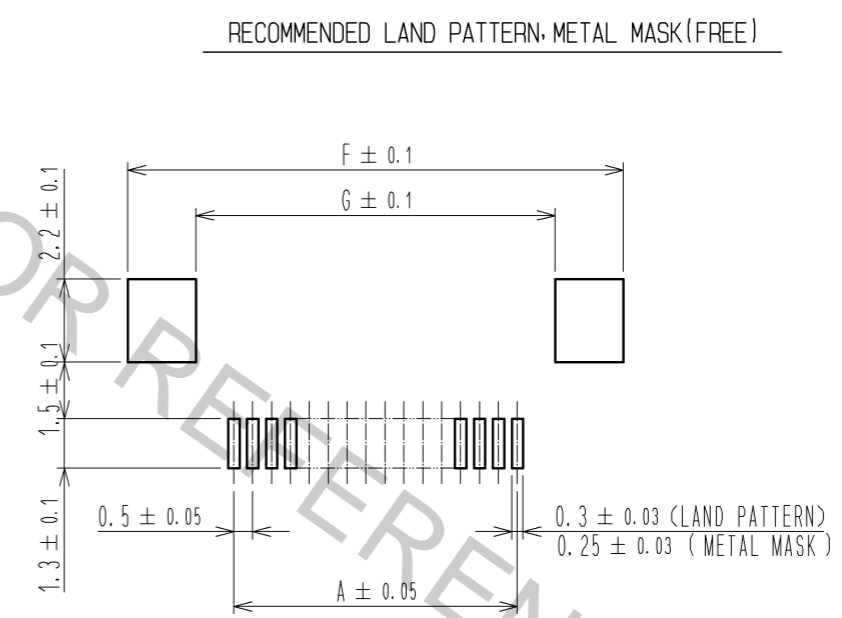
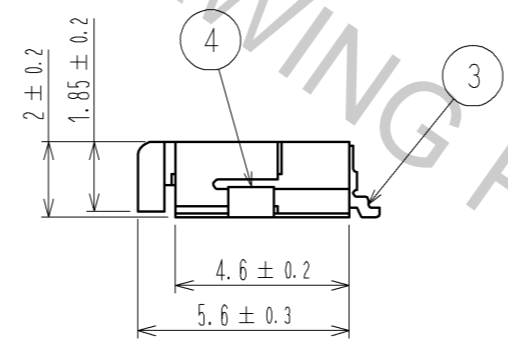
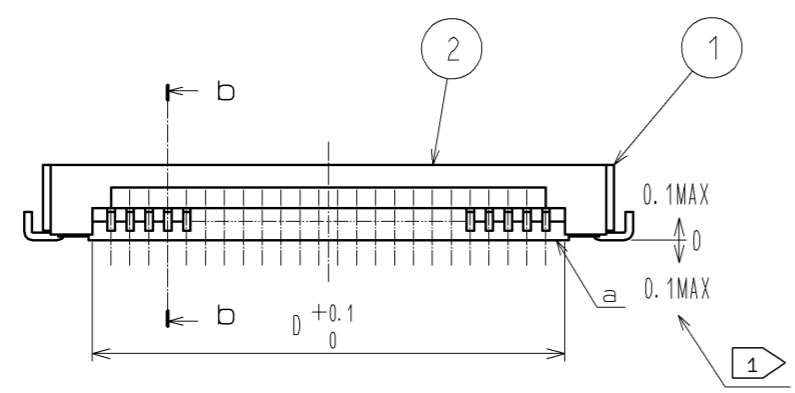
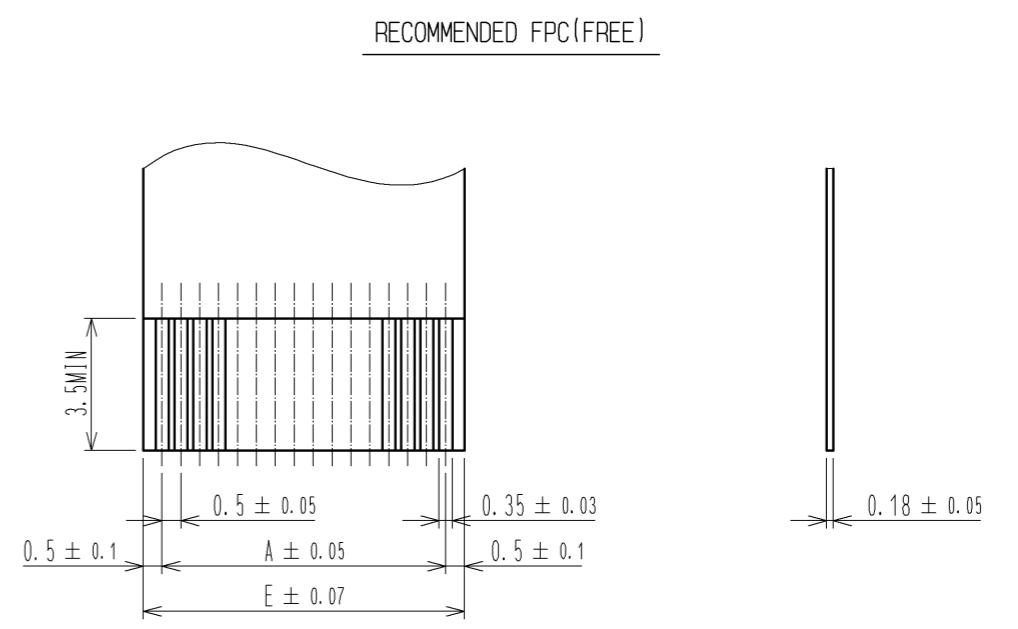
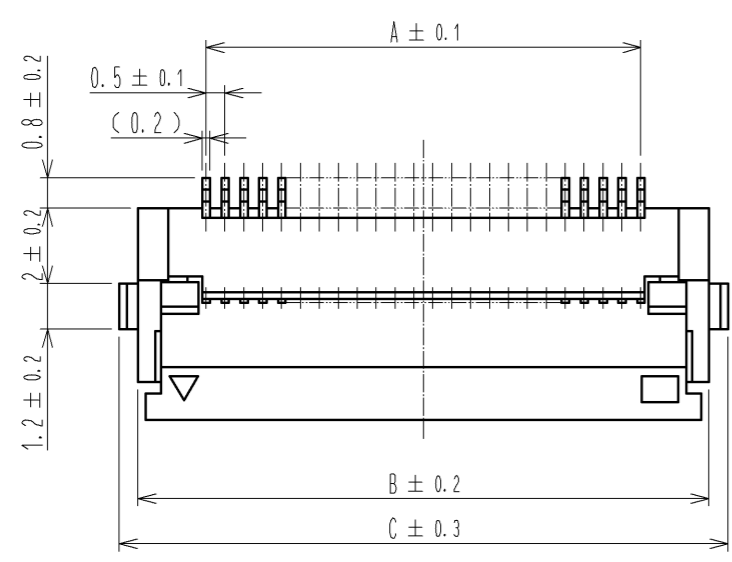
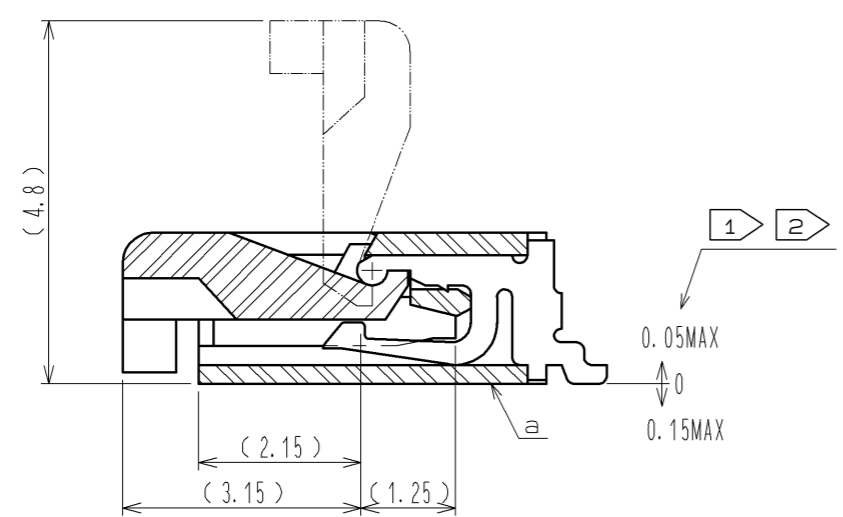


Apr.1.2017 Copyright 2017 HIROSE ELECTRIC CO., LTD. All Rights Reserved.



b-b (10:1)



RECOMMENDED METAL MASK THICKNESS: t=0.15

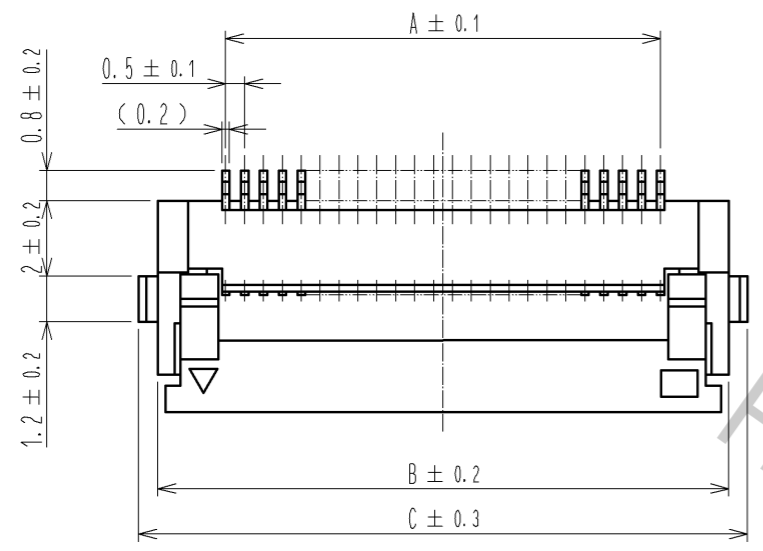
<34 CONTACTS OR LESS>

4	BRASS	TIN PLATING 1μm MIN-OVER NICKEL 1μm MIN.	8	(CONNECTOR)	⚠
3	PHOSPHOR BRONZE	GOLD PLATING FLASH-OVER NICKEL 1μm MIN.	7	POLYSTYRENE	⚠
2	PPS	(DEEP BROWN) UL94V-0	6	POLYESTER	⚠
1	POLYAMIDE	(BEIGE) UL94V-0	5	POLYSTYRENE	⚠
NO.	MATERIAL	FINISH . REMARKS	NO.	MATERIAL	FINISH . REMARKS

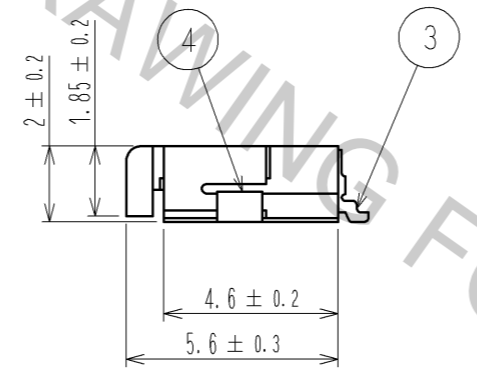
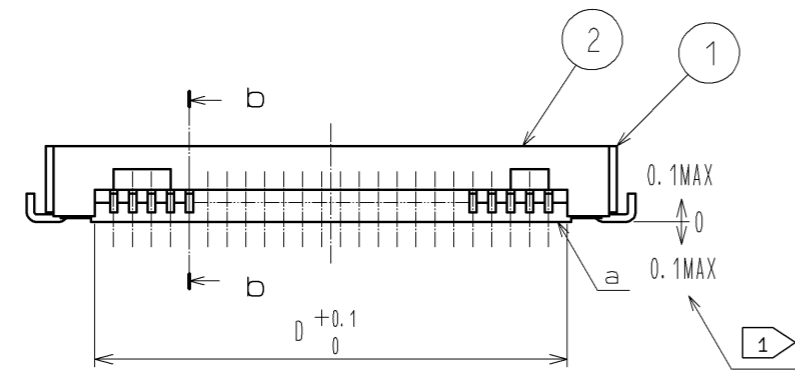
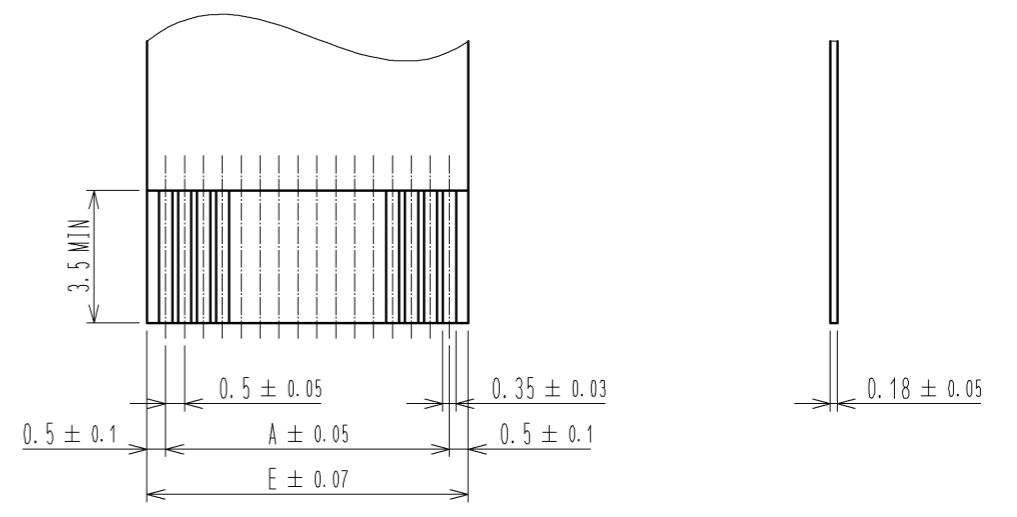
- 注 ① REFERENCE IS a.  
 ② LEAD CO-PLANARITY SHALL BE 0.1 MAX.  
 ③ SEE DIMENSION TABLE IN THE APPENDIX.

UNITS mm		SCALE 5 : 1	COUNT 15	DESCRIPTION OF REVISIONS DIS-F-002629	DESIGNED MK. YASUMI	CHECKED HS. SAKAMOTO	DATE 07.12.25
APPROVED : MO. ISHIDA 05.01.05				DRAWING NO. EDC3-152792-51			
CHECED : RI. TAKAYASU 05.01.05				PART NO. FH12F-*S-0.5SH(55)			
DESIGNED : TH. MURAI 05.01.05				CODE NO. CL586			
DRAWN : TH. MURAI 05.01.05				①/④			

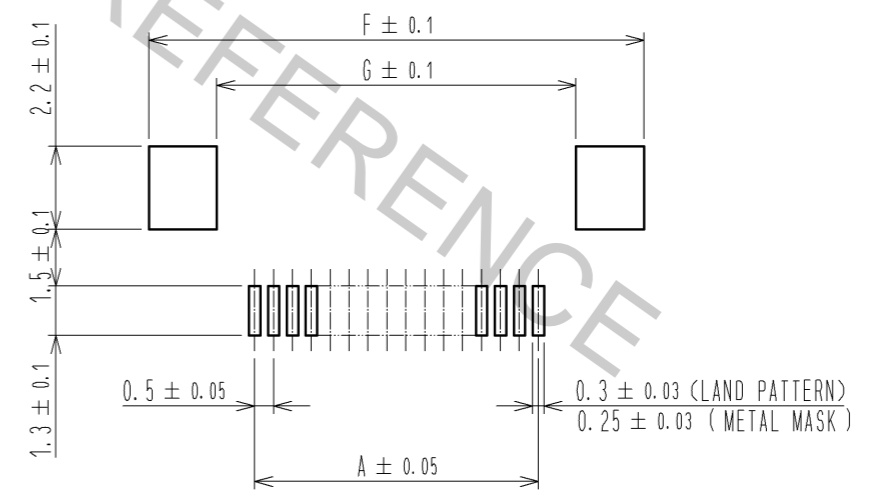
HRS DRAWING FOR REFERENCE



RECOMMENDED FPC(FREE)

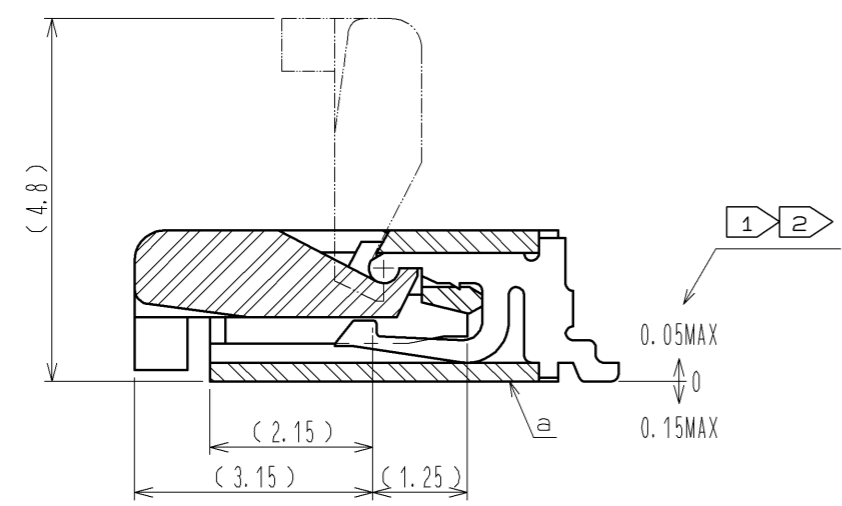


RECOMMENDED LAND PATTERN, METAL MASK(FREE)



RECOMMENDED METAL MASK THICKNESS: t=0.15

b-b (10:1)



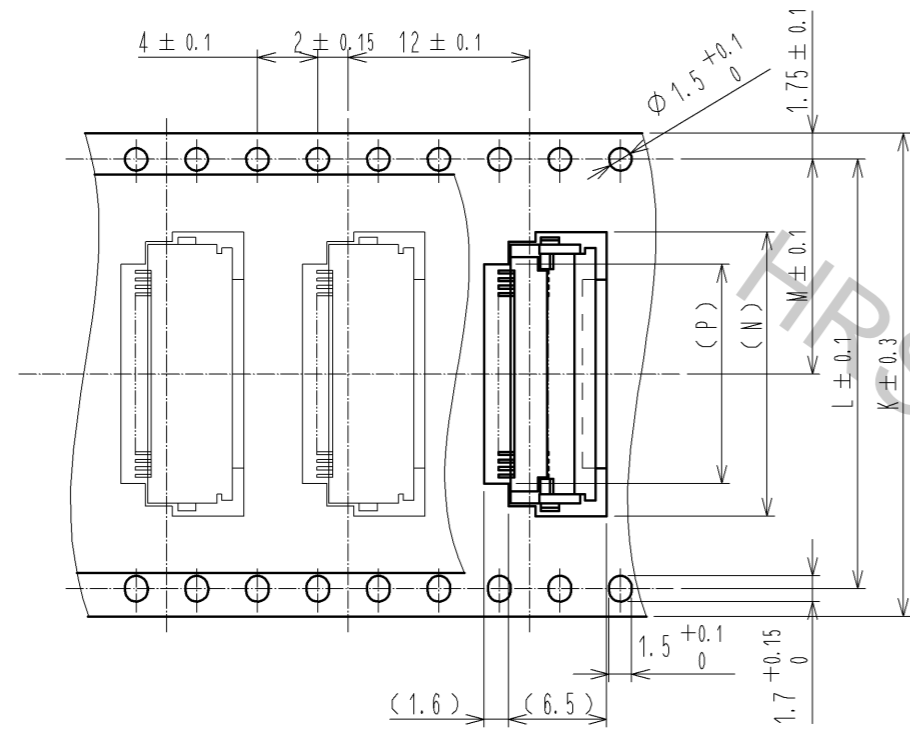
- 注 1 REFERENCE IS a.  
 2 LEAD CO-PLANARITY SHALL BE 0.1 MAX.  
 3 SEE DIMENSION TABLE IN THE APPENDIX.

<36 CONTACTS OR MORE>

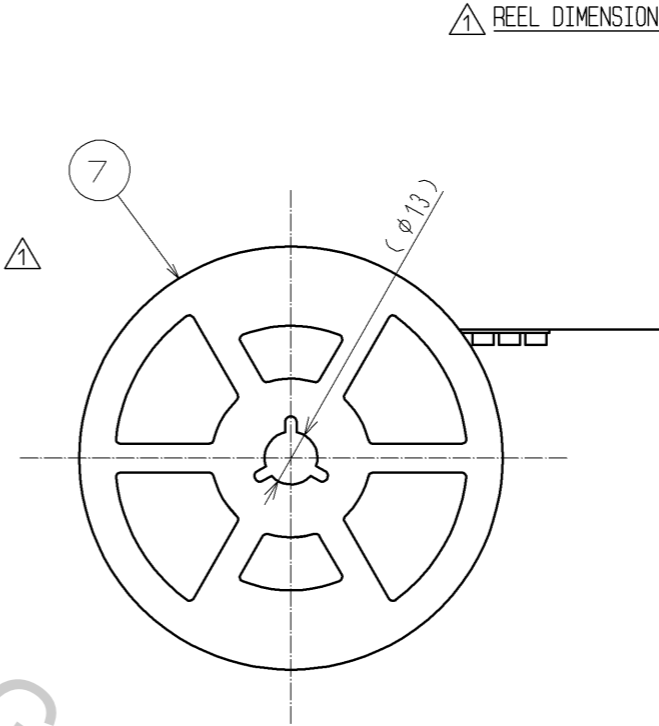
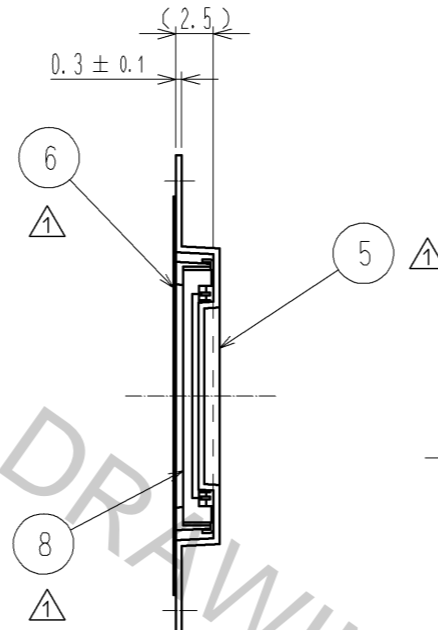
<b>HRS</b>	DRAWING NO.	EDC3-152792-51
	PART NO.	FH12F-*S-0.5SH(55)
	CODE NO.	CL586
		2/4

EMBOSSED CARRIER TAPE DIMENSION(2:1)

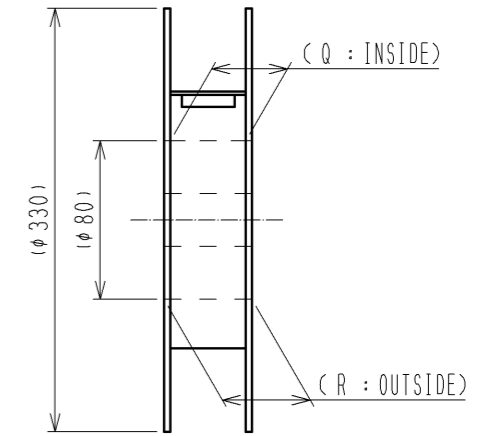
TAPE WIDTH : 32mm MIN



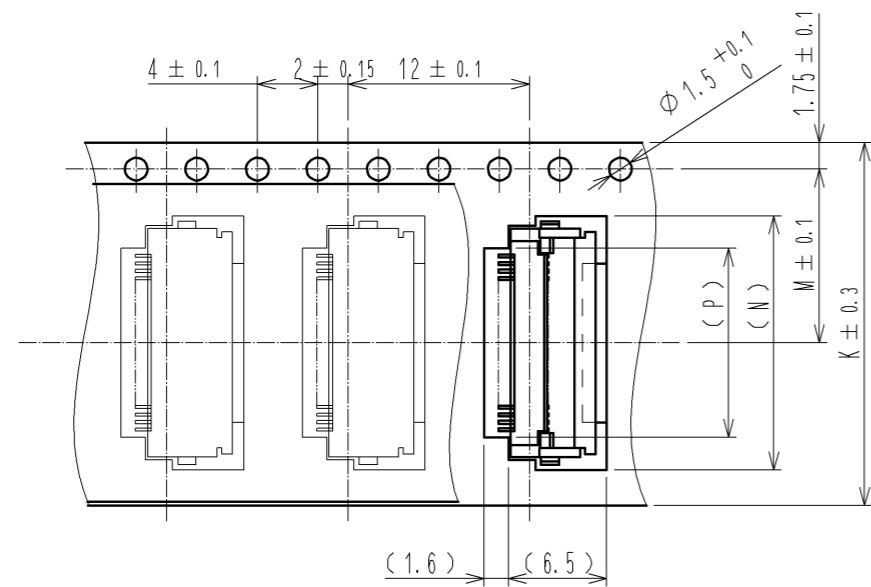
→  
DIRECTION OF UNREELING



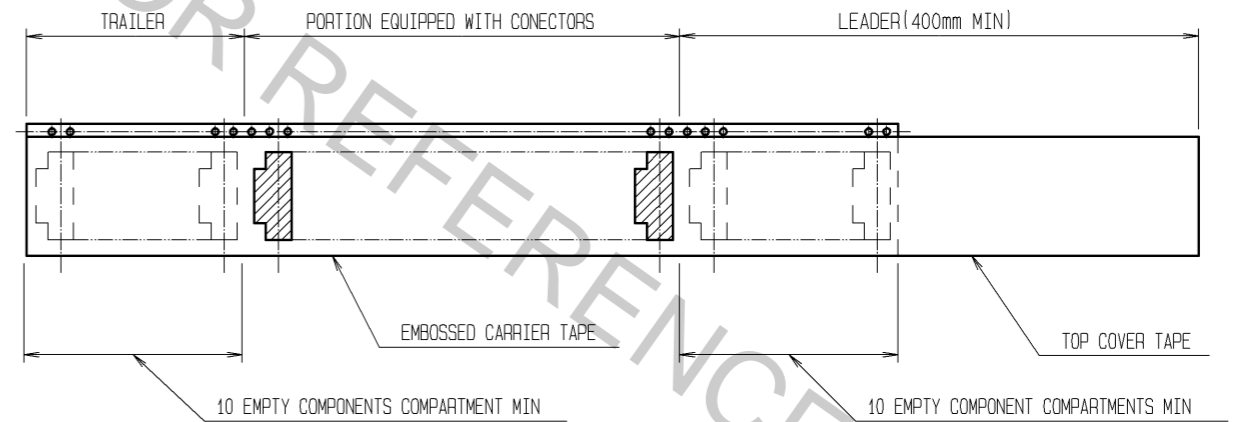
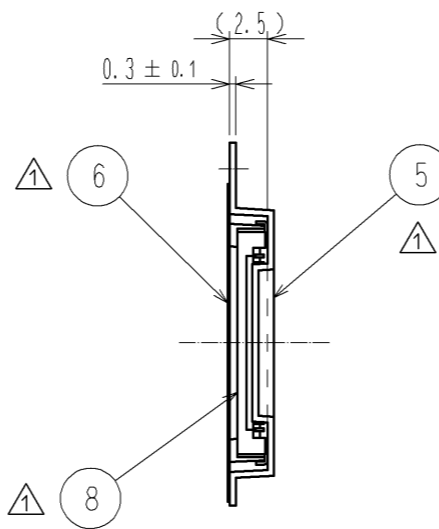
△ REEL DIMENSION(SHOW AS BELOW)  
(FREE)



TAPE WIDTH : 24mm MAX



→  
DIRECTION OF UNREELING



- NOTE 4 THE DIMENSION IN PARENTHESES ARE FOR REFERENCE.  
 5 1 REEL : 2000 CONNECTORS.  
 6 SEE DIMENSION TABLE IN THE APPENDIX.

DRAWING FOR PACKING

<b>HRS</b>	DRAWING NO.	EDC3-152792-51
	PART NO.	FH12F-*S-0.5SH(55)
	CODE NO.	CL586
		△ 3/4

DIMENSION TABLE OF CONNECTOR, FPC, FFC, LAND PATTERN AND METAL MASK

PART NO.	CODE NO.	*	A	B	C	D	E	F	G
FH12F- 6S-0.5SH(55)	CL586-0672-6-55	6	2.5	6.1	7.1	3.57	3.5	8.1	4.5
FH12F- 8S-0.5SH(55)	CL586-0738-2-55	8	3.5	7.1	8.1	4.57	4.5	9.1	5.5
FH12F-10S-0.5SH(55)	CL586-0709-4-55	10	4.5	8.1	9.1	5.57	5.5	10.1	6.5
FH12F-12S-0.5SH(55)	CL586-0653-1-55	12	5.5	9.1	10.1	6.57	6.5	11.1	7.5
FH12F-13S-0.5SH(55)	CL586-0629-7-55	13	6	9.6	10.6	7.07	7	11.6	8
FH12F-14S-0.5SH(55)	CL586-0655-7-55	14	6.5	10.1	11.1	7.57	7.5	12.1	8.5
FH12F-15S-0.5SH(55)	CL586-0680-4-55	15	7	10.6	11.6	8.07	8	12.6	9
FH12F-16S-0.5SH(55)	CL586-0673-9-55	16	7.5	11.1	12.1	8.57	8.5	13.1	9.5
FH12F-18S-0.5SH(55)	CL586-0626-9-55	18	8.5	12.1	13.1	9.57	9.5	14.1	10.5
FH12F-20S-0.5SH(55)	CL586-0636-2-55	20	9.5	13.1	14.1	10.57	10.5	15.1	11.5
FH12F-22S-0.5SH(55)	CL586-0630-6-55	22	10.5	14.1	15.1	11.57	11.5	16.1	12.5
FH12F-24S-0.5SH(55)	CL586-0632-1-55	24	11.5	15.1	16.1	12.57	12.5	17.1	13.5
FH12F-25S-0.5SH(55)	CL586-0733-9-55	25	12	15.6	16.6	13.07	13	17.6	14
FH12F-26S-0.5SH(55)	CL586-0627-1-55	26	12.5	16.1	17.1	13.57	13.5	18.1	14.5
FH12F-28S-0.5SH(55)	CL586-0643-8-55	28	13.5	17.1	18.1	14.57	14.5	19.1	15.5
FH12F-30S-0.5SH(55)	CL586-0628-4-55	30	14.5	18.1	19.1	15.57	15.5	20.1	16.5
FH12F-32S-0.5SH(55)	CL586-0705-3-55	32	15.5	19.1	20.1	16.57	16.5	21.1	17.5
FH12F-34S-0.5SH(55)	CL586-0677-0-55	34	16.5	20.1	21.1	17.57	17.5	22.1	18.5
FH12F-36S-0.5SH(55)	CL586-0656-0-55	36	17.5	21.1	22.1	18.57	18.5	23.1	19.5
FH12F-40S-0.5SH(55)	CL586-0635-0-55	40	19.5	23.1	24.1	20.57	20.5	25.1	21.5

DIMENSION TABLE OF DRAWING FOR PACKING

PART NO.	CODE NO.	*	K	L	M	N	P	Q	R
FH12F- 6S-0.5SH(55)	CL586-0672-6-55	6	16	—	7.5	7.8	3.5	17.4	21.4
FH12F- 8S-0.5SH(55)	CL586-0738-2-55	8	16	—	7.5	8.8	4.5	17.4	21.4
FH12F-10S-0.5SH(55)	CL586-0709-4-55	10	16	—	7.5	9.8	5.5	17.4	21.4
FH12F-12S-0.5SH(55)	CL586-0653-1-55	12	24	—	11.5	10.8	6.5	25.4	29.4
FH12F-13S-0.5SH(55)	CL586-0629-7-55	13	24	—	11.5	11.3	7	25.4	29.4
FH12F-14S-0.5SH(55)	CL586-0655-7-55	14	24	—	11.5	11.8	7.5	25.4	29.4
FH12F-15S-0.5SH(55)	CL586-0680-4-55	15	24	—	11.5	12.3	8	25.4	29.4
FH12F-16S-0.5SH(55)	CL586-0673-9-55	16	24	—	11.5	12.8	8.5	25.4	29.4
FH12F-18S-0.5SH(55)	CL586-0626-9-55	18	24	—	11.5	13.8	9.5	25.4	29.4
FH12F-20S-0.5SH(55)	CL586-0636-2-55	20	24	—	11.5	14.8	10.5	25.4	29.4
FH12F-22S-0.5SH(55)	CL586-0630-6-55	22	24	—	11.5	15.8	11.5	25.4	29.4
FH12F-24S-0.5SH(55)	CL586-0632-1-55	24	24	—	11.5	16.8	12.5	25.4	29.4
FH12F-25S-0.5SH(55)	CL586-0733-9-55	25	24	—	11.5	17.3	13.0	25.4	29.4
FH12F-26S-0.5SH(55)	CL586-0627-1-55	26	24	—	11.5	17.8	13.5	25.4	29.4
FH12F-28S-0.5SH(55)	CL586-0643-8-55	28	32	28.4	14.2	18.8	14.5	33.4	37.4
FH12F-30S-0.5SH(55)	CL586-0628-4-55	30	32	28.4	14.2	19.8	15.5	33.4	37.4
FH12F-32S-0.5SH(55)	CL586-0705-3-55	32	32	28.4	14.2	20.8	16.5	33.4	37.4
FH12F-34S-0.5SH(55)	CL586-0677-0-55	34	32	28.4	14.2	21.8	17.5	33.4	37.4
FH12F-36S-0.5SH(55)	CL586-0656-0-55	36	44	40.4	20.2	22.8	18.5	45.4	49.4
FH12F-40S-0.5SH(55)	CL586-0635-0-55	40	44	40.4	20.2	24.8	20.5	45.4	49.4

\* : NUMBER OF CONTACTS

<b>HRS</b>	DRAWING NO.	EDC3-152792-51
	PART NO.	FH12F-*S-0.5SH(55)
	CODE NO.	CL586