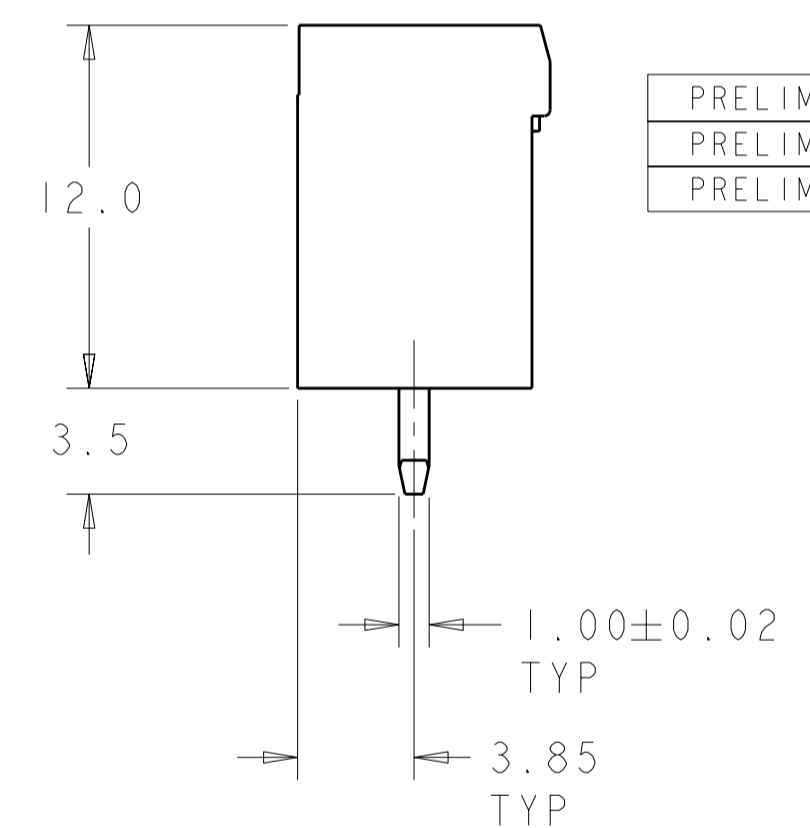
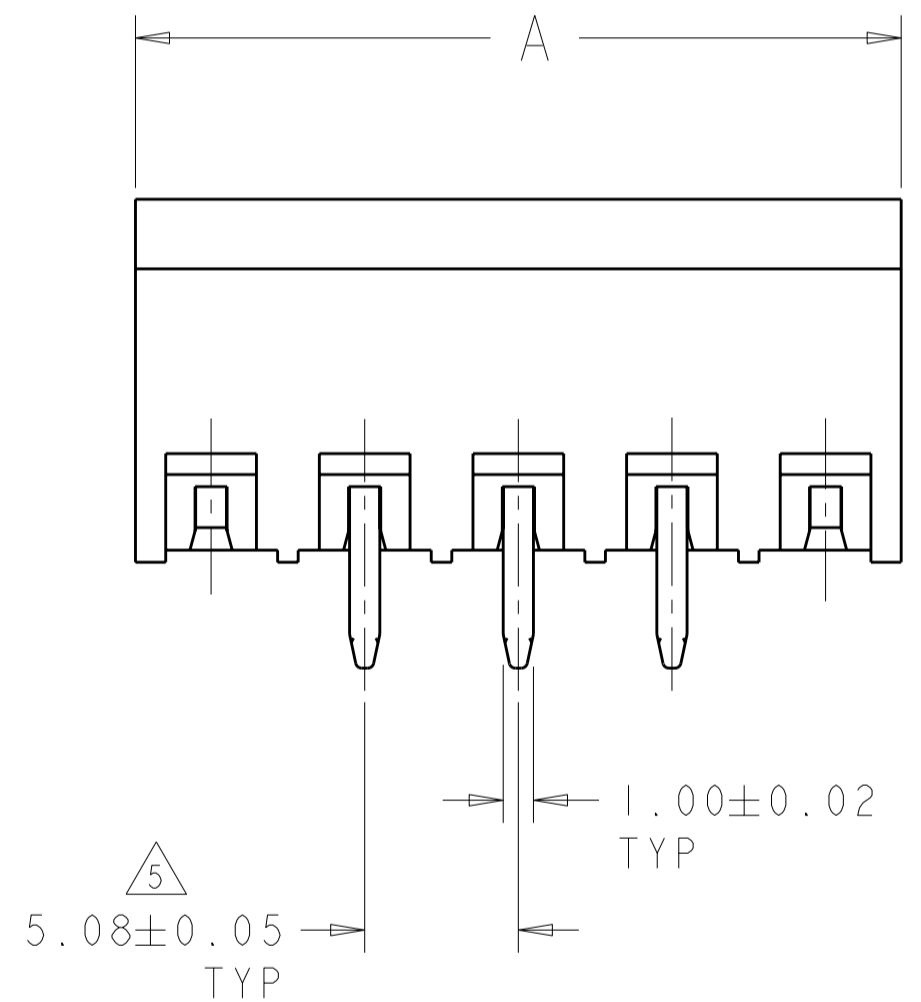
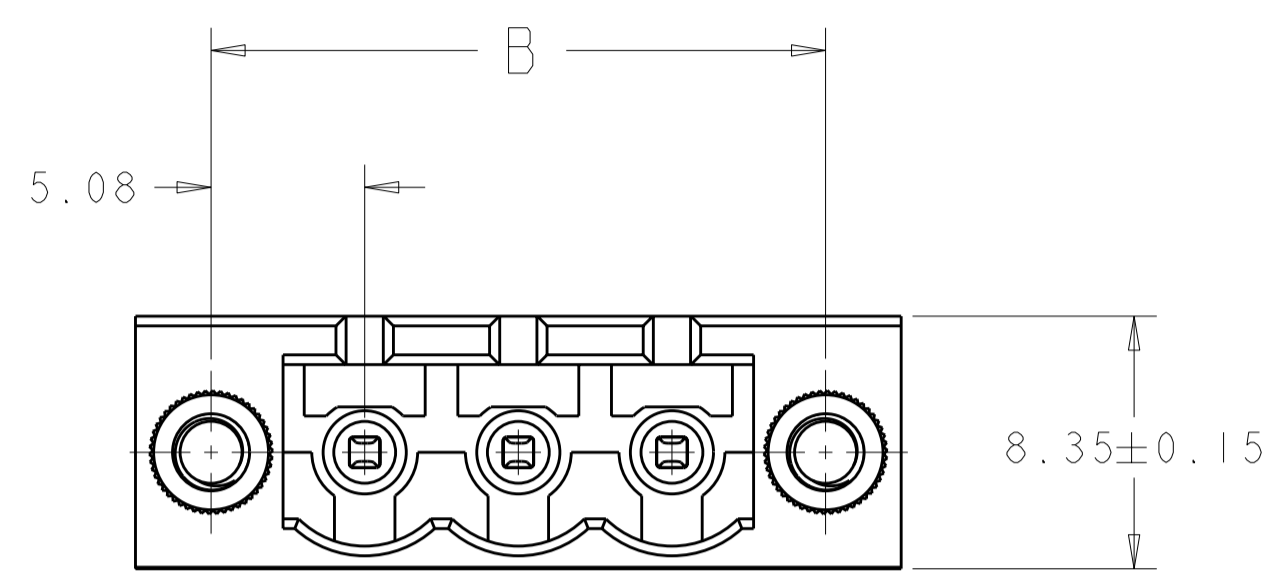


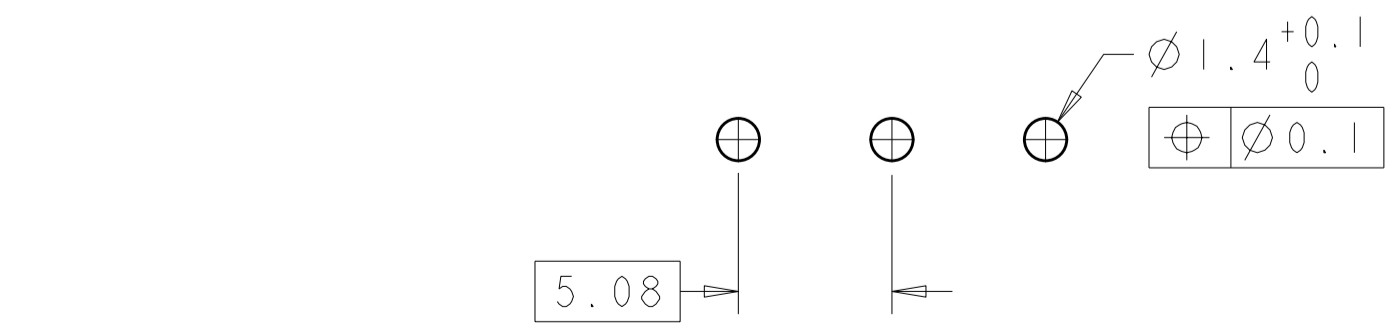
THIS DRAWING IS UNPUBLISHED. RELEASED FOR PUBLICATION 20  
 © COPYRIGHT 20 BY - ALL RIGHTS RESERVED.

LOC		DIST		REVISIONS			
P	LTR	DESCRIPTION	DATE	DWN	APVD		
	B5	REVISED PER ECO-12-007711	26APR2012	KH	MS		



1. MATERIALS AND FINISH:  
 HOUSING: PA 6-6, UL 94V-0, COLOR: SEE TABLE.  
 TERMINAL: COPPER ALLOY, PLATING: SEE TABLE, OVER 2-3µm NICKEL
2. SUITABLE FOR 1.6 - 2, 4mm PC BOARD THICKNESS.
3. RECOGNIZED UNDER THE COMPONENT PROGRAM OF UNDERWRITERS LABORATORIES INC. FILE No. E60677.
4. IMQ CERTIFICATE WITH SURVEILLANCE ON CONFORMITY WITH IEC 998-1/998-2-1.
5. NOT CUMULATIVE TOLERANCE.
6. BUCHANAN LOGO TO APPEAR ON HOUSING, LOCATION OPTIONAL WHERE SPACE PERMITS.

PLATING	COLOR	TERMINAL PLATING	B	A	NO OF POSN	PART NUMBER
PRELIMINARY	GREEN	0.76µm GOLD	55.88	60.88	10	2-796867-6
PRELIMINARY	GRAY RAL7032	0.76µm GOLD	30.48	35.48	5	2-796867-5
PRELIMINARY		0.2µm GOLD	30.48	35.48	5	2-796867-4
		TIN	121.92	126.92	23	2-796867-3
		TIN	116.84	121.84	22	2-796867-2
		TIN	111.76	116.76	21	2-796867-1
		TIN	106.68	111.68	20	2-796867-0
		TIN	101.60	106.60	19	1-796867-9
		TIN	96.52	101.52	18	1-796867-8
		TIN	91.44	96.44	17	1-796867-7
		TIN	86.36	91.36	16	1-796867-6
		TIN	81.28	86.28	15	1-796867-5
		TIN	76.20	81.20	14	1-796867-4
		TIN	71.12	76.12	13	1-796867-3
		TIN	66.04	71.04	12	1-796867-2
		TIN	60.96	65.96	11	1-796867-1
		TIN	55.88	60.88	10	1-796867-0
		TIN	50.80	55.80	9	796867-9
		TIN	45.72	50.72	8	796867-8
		TIN	40.64	45.64	7	796867-7
		TIN	35.56	40.56	6	796867-6
		TIN	30.48	35.48	5	796867-5
		TIN	25.40	30.40	4	796867-4
		TIN	20.32	25.32	3	796867-3
		TIN	15.24	20.24	2	796867-2



RECOMMENDED PC BOARD LAYOUT

THIS DRAWING IS A CONTROLLED DOCUMENT.		DWN S. WELDON 10 JUN 2002	TE Connectivity			
DIMENSIONS: mm		CHK D. BIEVENOUR 10 JUN 2002				
TOLERANCES UNLESS OTHERWISE SPECIFIED:		APVD D. BIEVENOUR 10 JUN 2002				
0 PLC ± 1 PLC ±0.3 2 PLC ±0.25 3 PLC ±0.000 4 PLC ±0.000 ANGLES ± FINISH		NAME	TERMINAL BLOCK HEADER ASSEMBLY, VERTICAL, WITH LOCKING SCREW FLANGE, 5.08mm PITCH			
MATERIAL		PRODUCT SPEC	SIZE	CAGE CODE	DRAWING NO	RESTRICTED TO
		APPLICATION SPEC	A2	00779	C-796867	-
		WEIGHT	SCALE 4:1		SHEET 1 OF 1	REV B5
CUSTOMER DRAWING						