

4

3

2

1

THIS DRAWING IS UNPUBLISHED.

RELEASED FOR PUBLICATION

2013

© COPYRIGHT 2013 BY -

ALL RIGHTS RESERVED.

REVISIONS

P	LTR	DESCRIPTION	DATE	DWN	APVD
	I	FIRST ISSUE	08MAY2013	MZ	JC
	A	PARTS RELEASED FOR PRODUCTION	21NOV2013	KR	JC
	B	REVISED PER ECR-15-007925	05OCT2015	RS	JL

60.0

25.0

TE connectivity

400V AC IPXX  
16A 1.5°  
20A 2.5°

Ø22.80

Callouts: 2, 3, 4

30.00

KEMA KEUR

N  
L1  
PE

Ø22.80

Ø20.60

NOTES:

1) FOR ALL POLARISATION KEYS  
SEE TABLE ON SHEET 2 OF 2

2) TE LOGO

3) RATED VOLTAGE

4) RATED CURRENT AND CABLE SIZE

5) PARTS UNDER APPROVAL  
ACCORDING TO IEC 61535.  
PARTS TO BE TESTED ACCORDING  
TO INTERNAL TE ENDURANCE TESTS  
PROCEDURE6) PARTS RELEASED FOR PRODUCTION  
WITH THE EXCEPTION OF FACE SEAL  
COMPONENTS WHICH ARE NOT YET  
RELEASED AND CURRENTLY UNDER  
TESTING

56.2

61.1

N L3 S2 S1

S1 S2 E7 N

COLOUR	POL. KEYING	DESCRIPTION	PART NUMBER	REV.
BLACK	E	T-SPLITTER 5 POS CONN. SEALED NECTOR M-LINE	1879999-5	B
BLACK	D	T-SPLITTER 5 POS CONN. SEALED NECTOR M-LINE	1879999-4	B
BLACK	C	T-SPLITTER 5 POS CONN. SEALED NECTOR M-LINE	1879999-3	B
BLACK	B	T-SPLITTER 5 POS CONN. SEALED NECTOR M-LINE	1879999-2	B
BLACK	A	T-SPLITTER 5 POS CONN. SEALED NECTOR M-LINE	1879999-1	B

THIS DRAWING IS A CONTROLLED DOCUMENT.

DIMENSIONS:  
mm

MATERIAL

TOLERANCES UNLESS OTHERWISE SPECIFIED:

0 PLC	±
1 PLC	±0.3
2 PLC	±0.20
3 PLC	±
4 PLC	±
ANGLES	±3°

FINISH

DWN 08MAY2013

M. ZUCCA

CHK 08MAY2013

M. ZUCCA

APVD 08MAY2013

J. CATCHPOLE

PRODUCT SPEC

APPLICATION SPEC

WEIGHT

NAME

NECTOR M-LINE 5 POLES  
T-SPLITTER CONNECTOR  
SEALED VERSION

SIZE

A3

CAGE CODE

-

DRAWING NO

C-1879999

RESTRICTED TO

-

Customer Drawing

SCALE

2:1

SHEET

1 OF 3

REV

B

1470-19 (3/13)

REVISIONS

P	LTR	DESCRIPTION	DATE	DWN	APVD
-	-	SEE SHEET 1	-	-	-

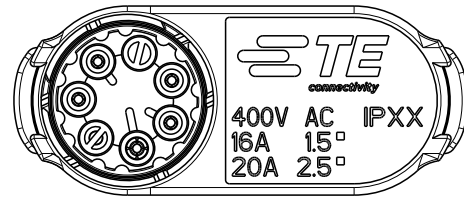
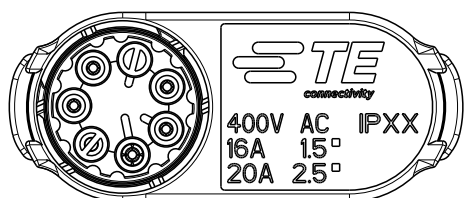
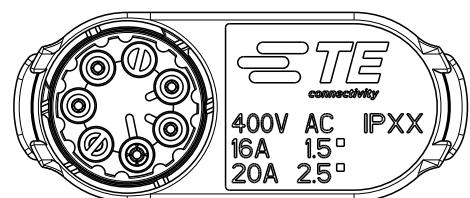
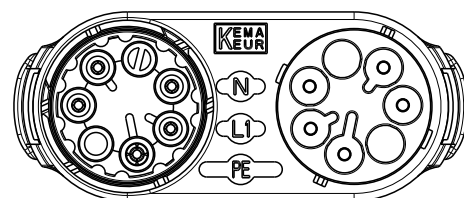
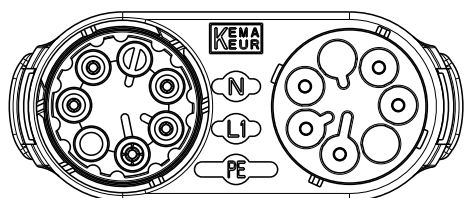
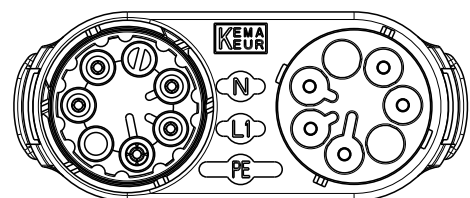
POLARISATION KEYS

SCALE 1:1

TYPE "A-A"

TYPE "B-B"

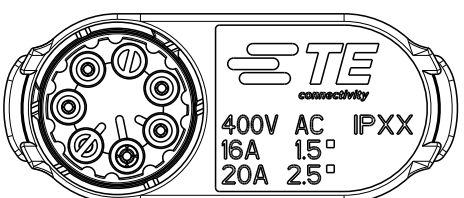
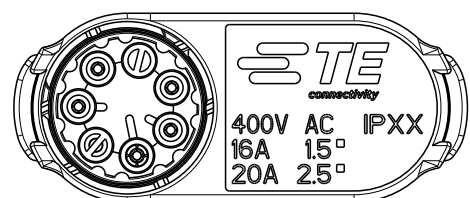
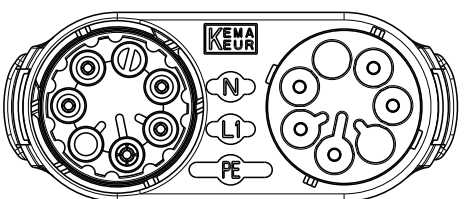
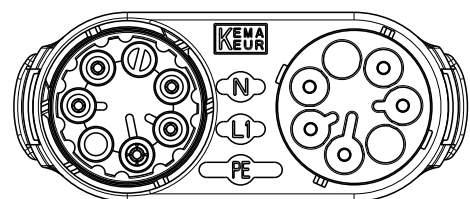
TYPE "C-C"



P/N 1879999-1  
TYPE "D-D"

P/N 1879999-2  
TYPE "E-E"

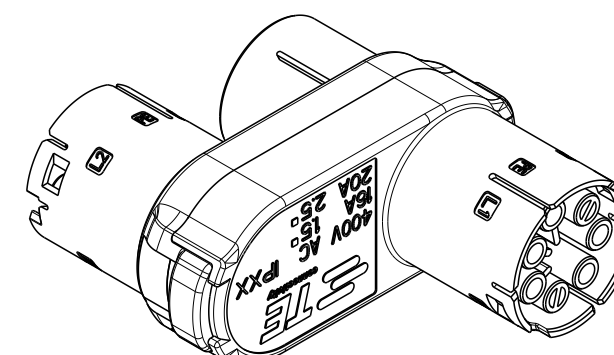
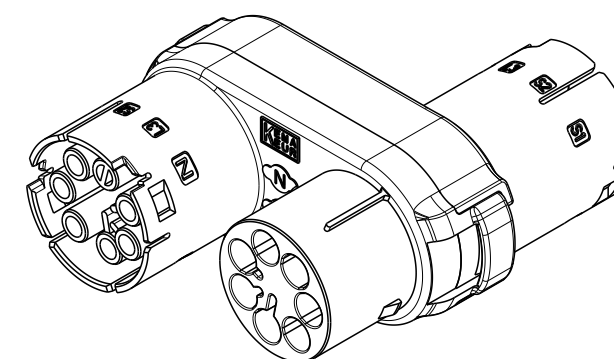
P/N 1879999-3



P/N 1879999-4

P/N 1879999-5

3D VIEWS.  
FOR REFERENCE ONLY



SCALE 1:1

THIS DRAWING IS A CONTROLLED DOCUMENT.

DIMENSIONS:	TOLERANCES UNLESS OTHERWISE SPECIFIED:
mm	0 PLC ±-
	1 PLC ±0.3
	2 PLC ±0.20
	3 PLC ±-
	4 PLC ±-
	ANGLES ±3°
MATERIAL	FINISH
-	-
-	-

DWN	M. ZUCCA	08MAY2013
CHK	M. ZUCCA	08MAY2013
APVD	J. CATCHPOLE	08MAY2013
PRODUCT SPEC	-	-
APPLICATION SPEC	-	-
WEIGHT	-	-
Customer Drawing		



NAME				NECTOR M-LINE 5 POLES T-SPLITTER CONNECTOR SEALED VERSION	
SIZE	CAGE CODE	DRAWING NO	RESTRICTED TO		
A3	-	C-1879999	-		
SCALE		SHEET	OF	REV	
2:1		2	3	B	

THIS DRAWING IS UNPUBLISHED.

RELEASED FOR PUBLICATION

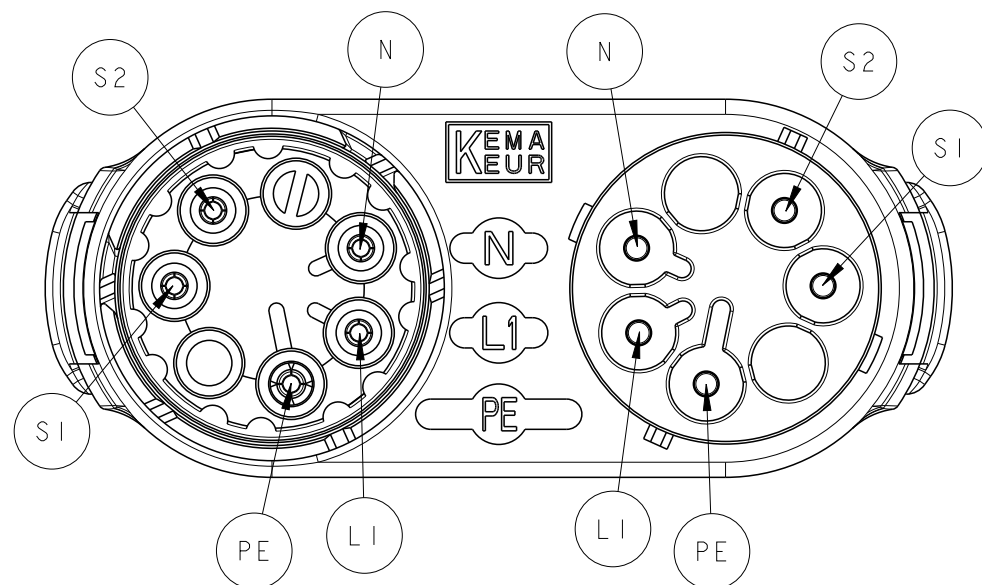
2013

© COPYRIGHT 2013 BY -

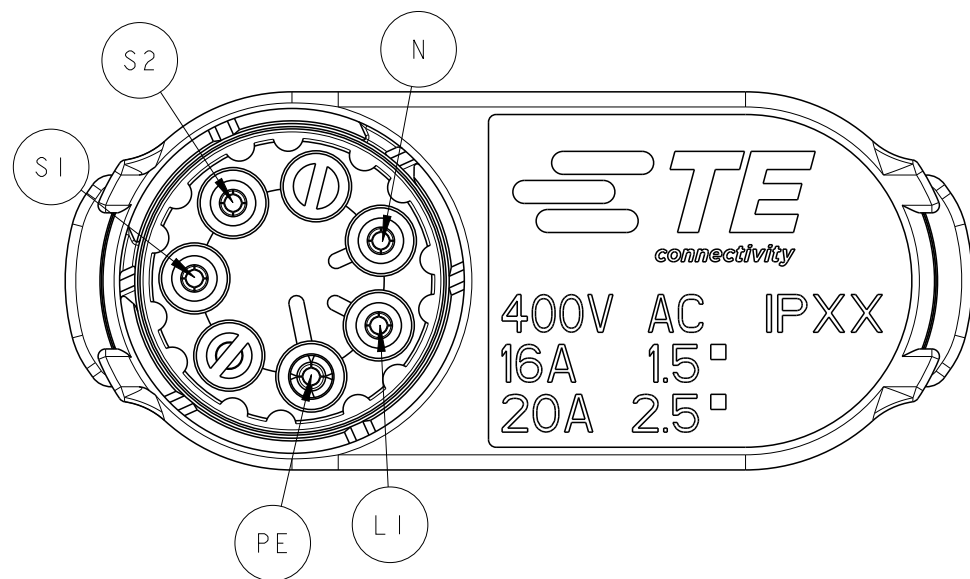
ALL RIGHTS RESERVED.

REVISIONS

P	LTR	DESCRIPTION	DATE	DWN	APVD
-	-	SEE SHEET 1	-	-	-

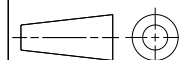


ADDITIONAL DETAILS ON CAVITY CIRCUIT POSITION. FOR INFORMATION ONLY



THIS DRAWING IS A CONTROLLED DOCUMENT.

DIMENSIONS: mm



MATERIAL

TOLERANCES UNLESS OTHERWISE SPECIFIED:

- 0 PLC ±°
- 1 PLC ±0.3
- 2 PLC ±0.20
- 3 PLC ±°
- 4 PLC ±°
- ANGLES ±3°

FINISH

DWN M. ZUCCA 08MAY2013

CHK M. ZUCCA 08MAY2013

APVD J. CATCHPOLE 08MAY2013

PRODUCT SPEC

APPLICATION SPEC

WEIGHT

Customer Drawing



NECTOR M-LINE 5 POLES T-SPLITTER CONNECTOR SEALED VERSION

SIZE CAGE CODE DRAWING NO RESTRICTED TO

A3 - C-1879999

SCALE 2:1 SHEET 3 OF 3 REV B