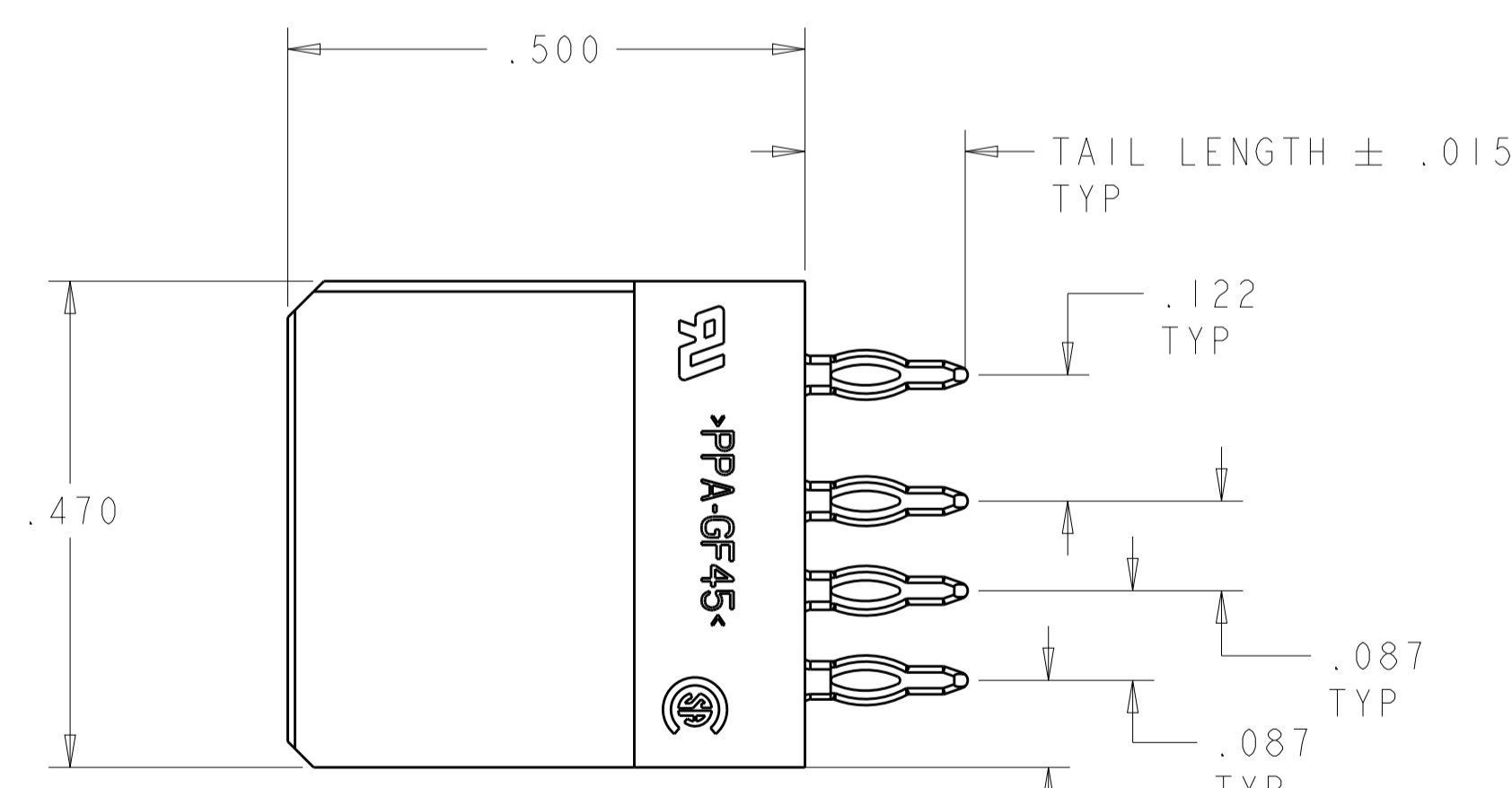
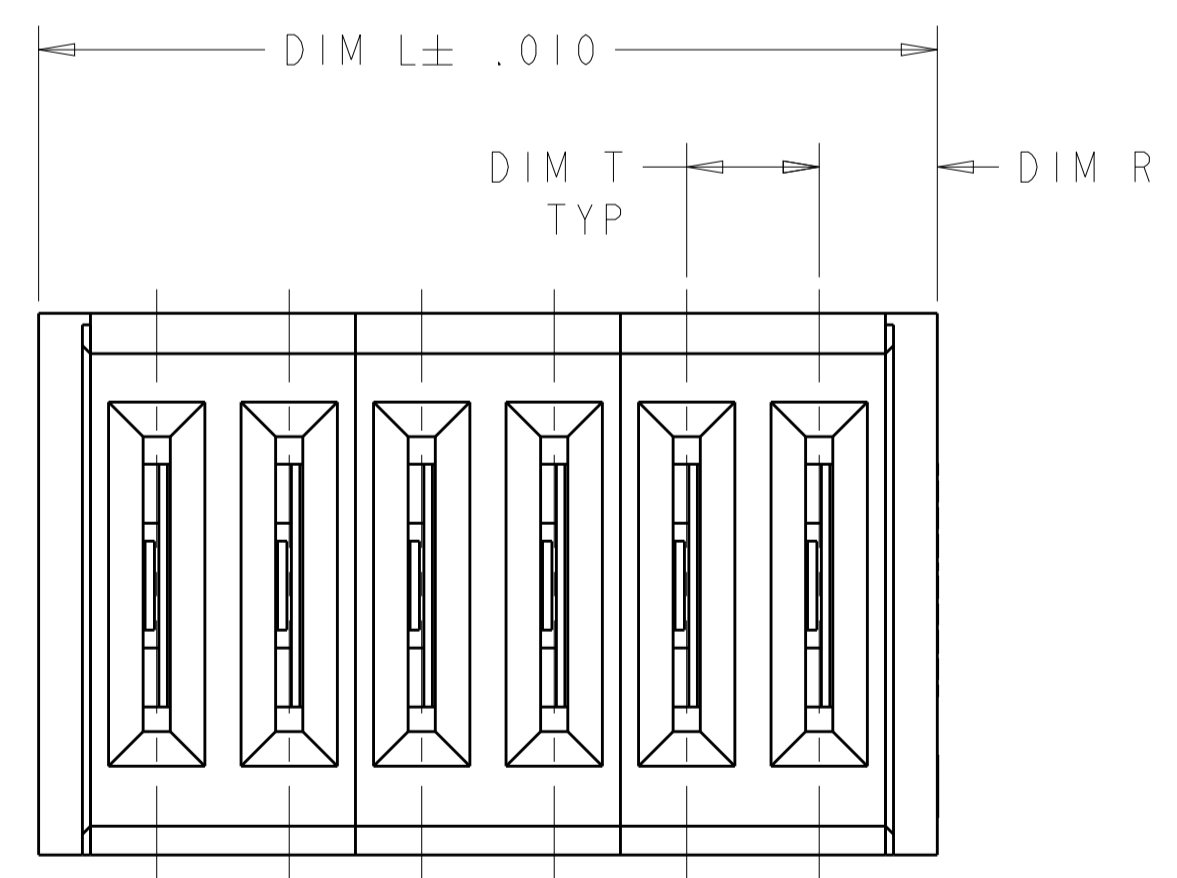
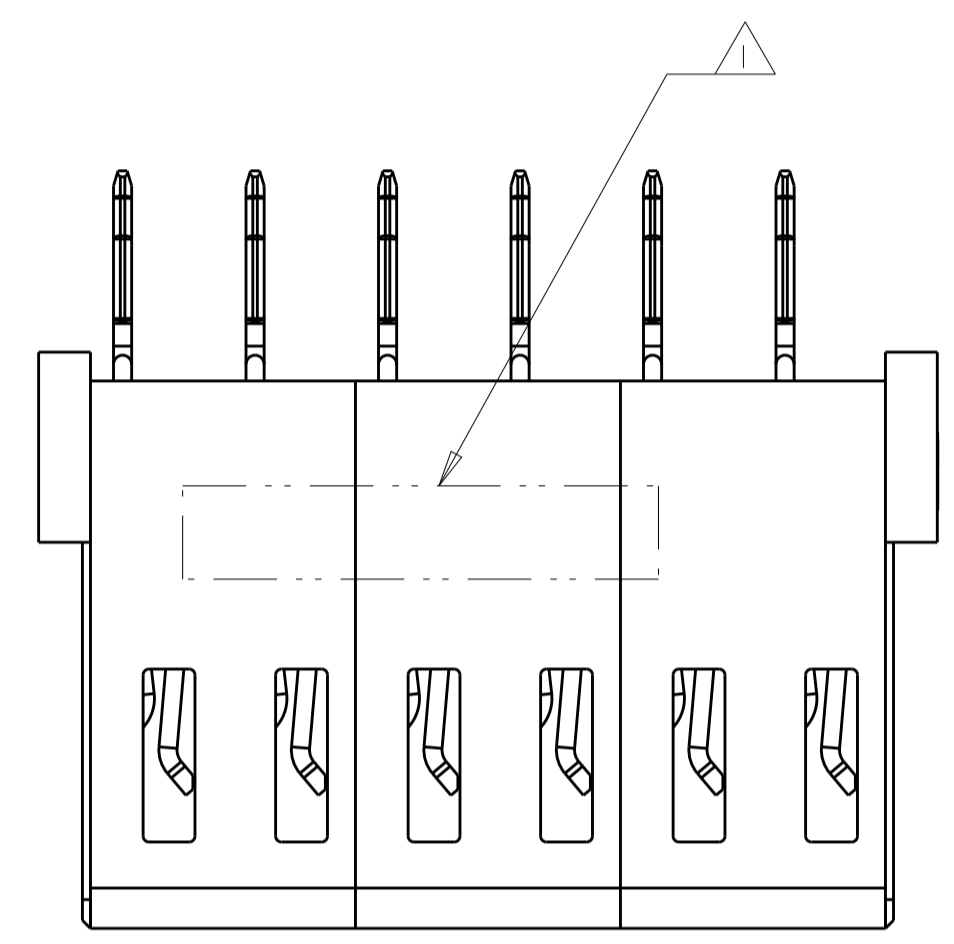
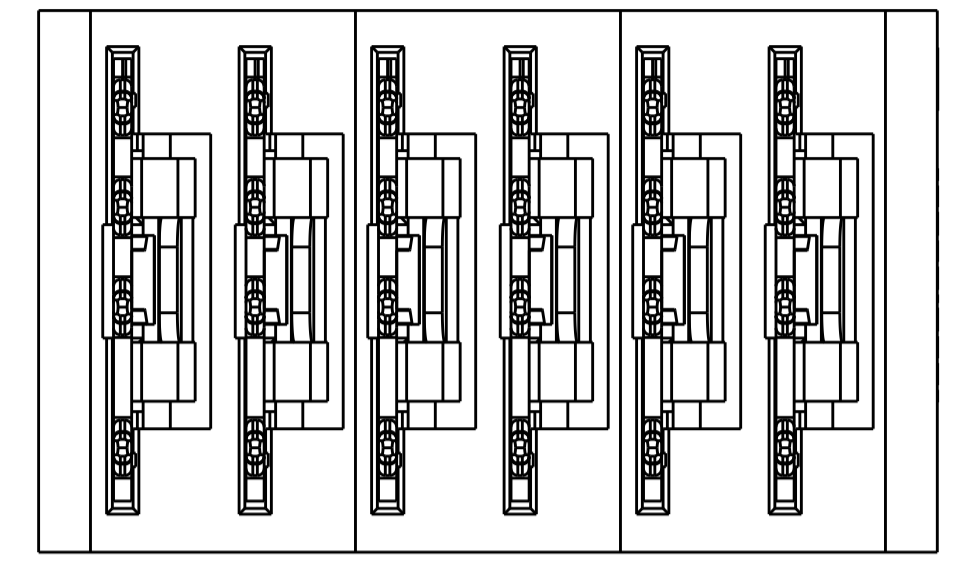


LOC	DIST	REVISIONS					
		P	LTN	DESCRIPTION	DATE	DWN	APVD
ES	00						
		D7		ADDED NEW DASH NUMBER	20MAY2013	CZ	SZ
		E		ADDED NEW DASH NUMBER 2-2	21FEB2015	CZ	SZ
		E1		ADD NEW DASH NUMBER 2-3	20MAR2015	CZ	SZ
		E2		REV PER ECO-17-002972	24FEB2017	WY	SZ



LP CONFIGURATION TAIL DIMENSIONS

- 1 "AMP" PART NUMBER AND DATE CODE TO BE MARKED IN AREA SHOWN. PARTS 2.00 OR LESS MAYBE MARKED ON BOTH SIDES.
- 2 MATERIAL: HOUSING - GLASS FILLED HIGH TEMP THERMO PLASTIC, UL94 V-0
POWER CONTACT - HIGH CONDUCTIVITY COPPER ALLOY
- 3 CONTACT PLATING: NOBLE METAL PLATING ON CONTACT FUNCTIONAL AREA OF POWER AND SIGNAL CONTACTS.
- 4 MECHANICAL CONNECTOR KEEP OUT ZONE
- 5 DATUM AND BASIC DIMENSIONS ESTABLISHED BY CUSTOMER
- 6 PCB - ALL HOLE DIMENSIONS ARE FINISHED HOLE SIZES
- 7 PCB - .0453±.0010 DRILLED HOLES. PLATED WITH .0003 MIN Sn OVER .001 TO .003 Cu PLATING TO ACHIEVE A .040 DIA. HOLE
- 8 FOR PART NUMBER 6450869-4,6450869-5,6450869-6,6450869-7 PLEASE REFER TO SHEET 2.
- 9 VARIABLE DIMENSIONS PLEASE REFER TO TABLE.
- 10 PLEASE REFER TO PARTS VIEW FOR DETAIL DIMENTIONS.

S	W	R	T	L	DESCRIPTION	PART NUMBER
-	-	.1025	.115	.435	3LP	2-6450869-3
-	-	.1025	.115	.320	2LP	2-6450869-2
-	-	-	-	.540	2P	1-6450869-7
-	-	-	-	2.820	2HDP + 3LP + 40S + 4LP + 2HDP	1-6450869-6
-	-	-	-	1.370	1LP + 40S + 1LP	1-6450869-5
-	-	-	-	2.820	2ACP+ 1LP + 32S + 3HDP + 1LP + 1HDP	1-6450869-4
-	-	-	-	.400	2P	1-6450869-3
-	-	-	-	-	8P	6450869-8
-	-	.170	.200	2.715	12P	6450869-7
4.070	.120	1.295	.200	5.090	44S + 14P + 40S	6450869-6
-	1.595	.345	-	2.015	4P + 16S	6450869-5
-	.120	.795	.200	1.340	24S + 2P	6450869-4
-	-	-	-	-	4S + 17HDP + 8S	6450869-3
-	-	-	-	-	8S + 27P + 8S	6450869-2
-	-	.1025	.115	.780	6 LP	6450869-1

THIS DRAWING IS A CONTROLLED DOCUMENT. DWN: H.LIU 30APR2008, CHK: S.ZHAO 30APR2008, APVD: S.YAO

DIMENSIONS: INCHES. TOLERANCES UNLESS OTHERWISE SPECIFIED: 0 PLC ±.01, 1 PLC ±.01, 2 PLC ±.01, 3 PLC ±.005, 4 PLC ±.0020, ANGLES ±.020

MATERIAL: 2. FINISH: 3.

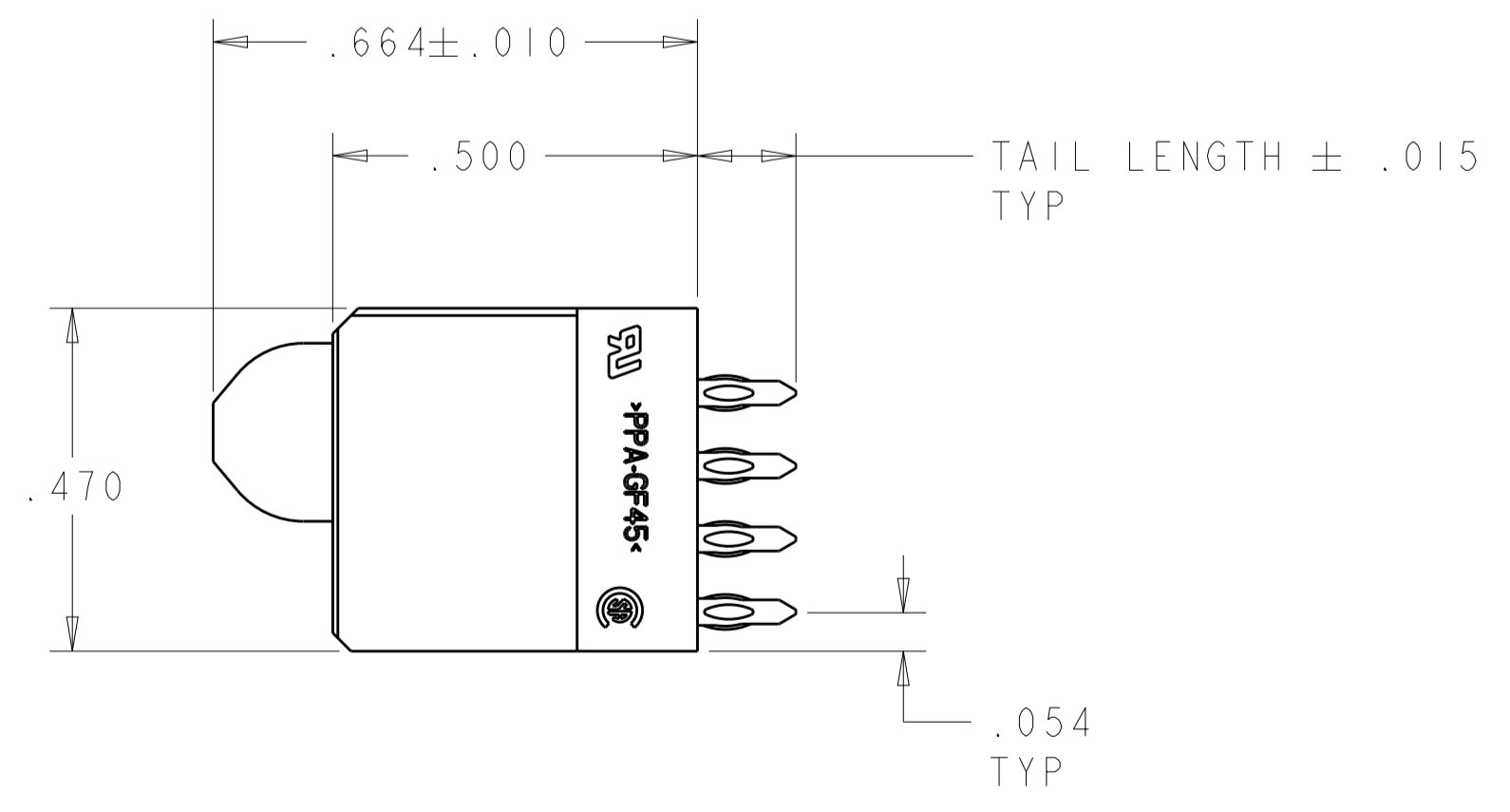
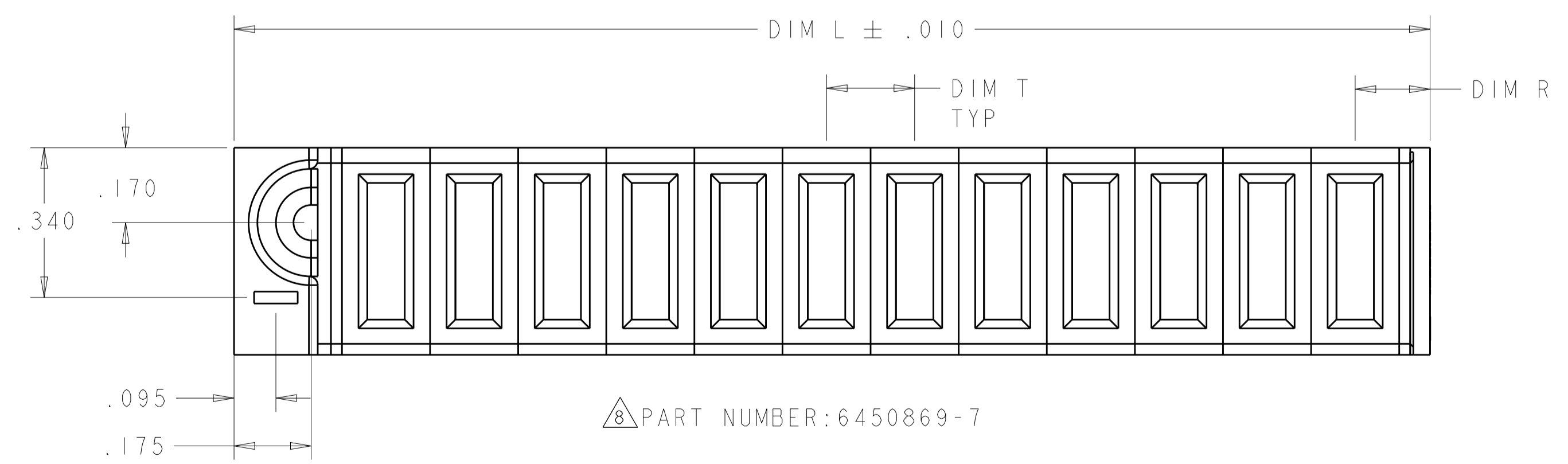
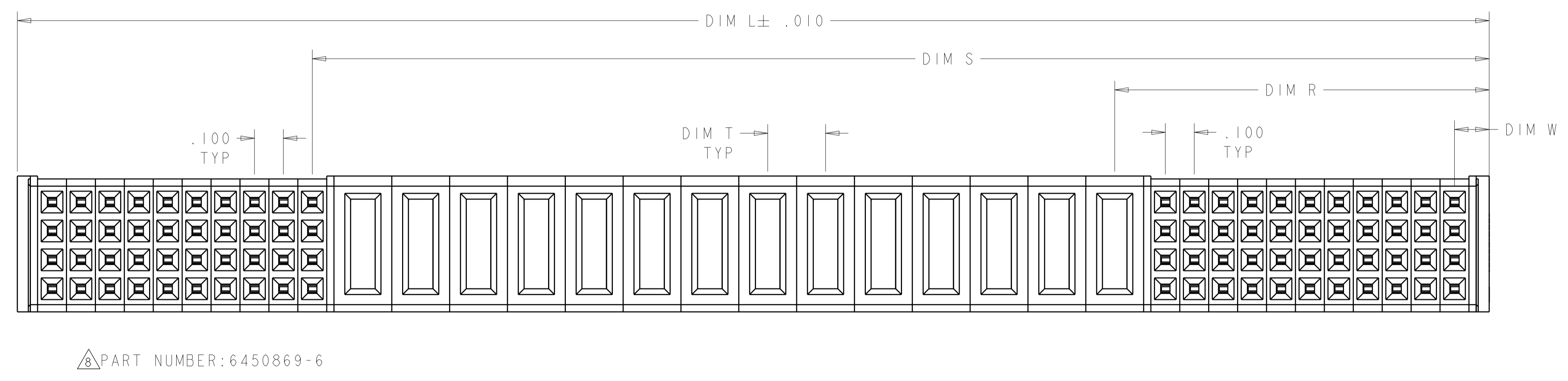
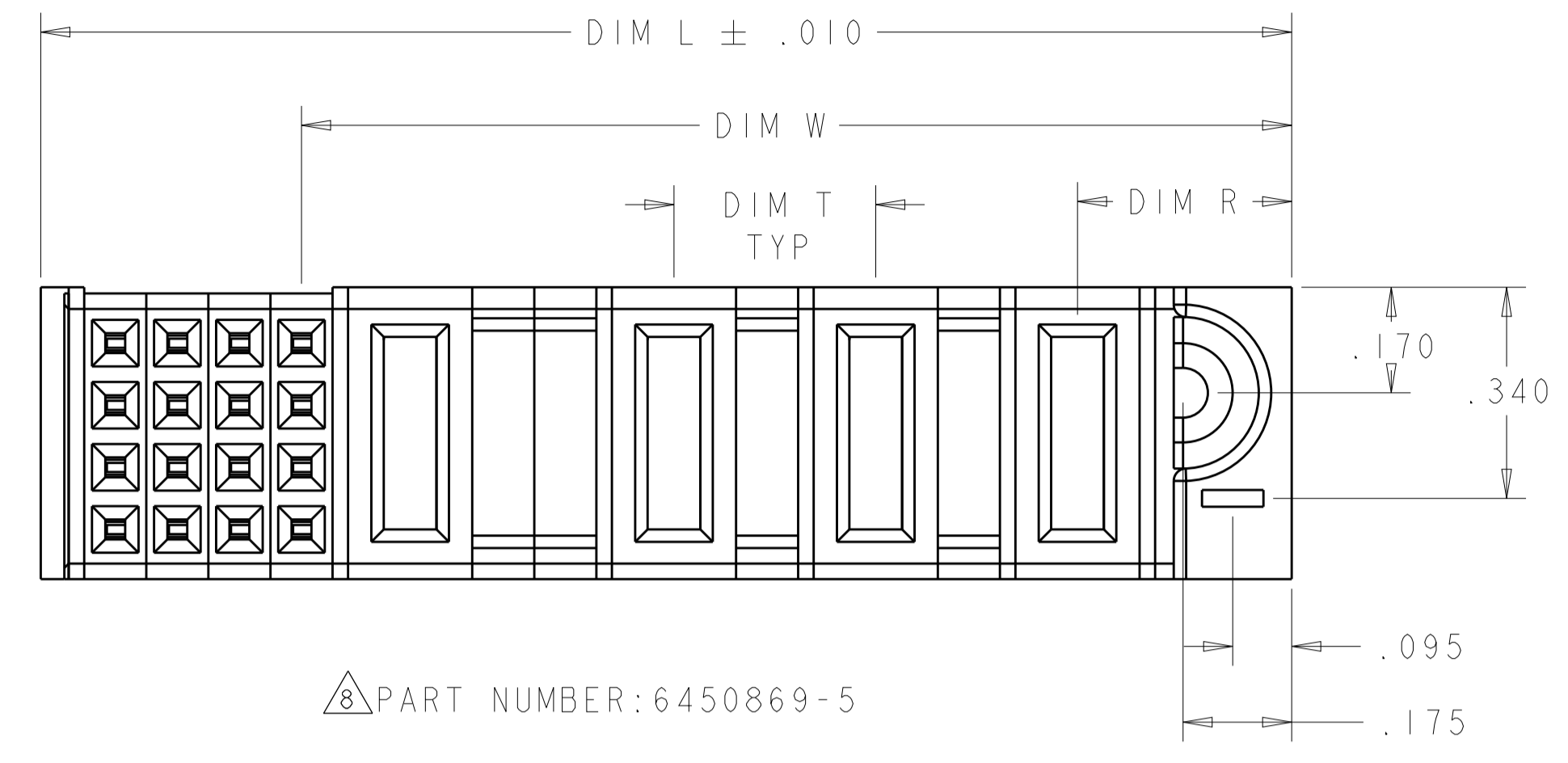
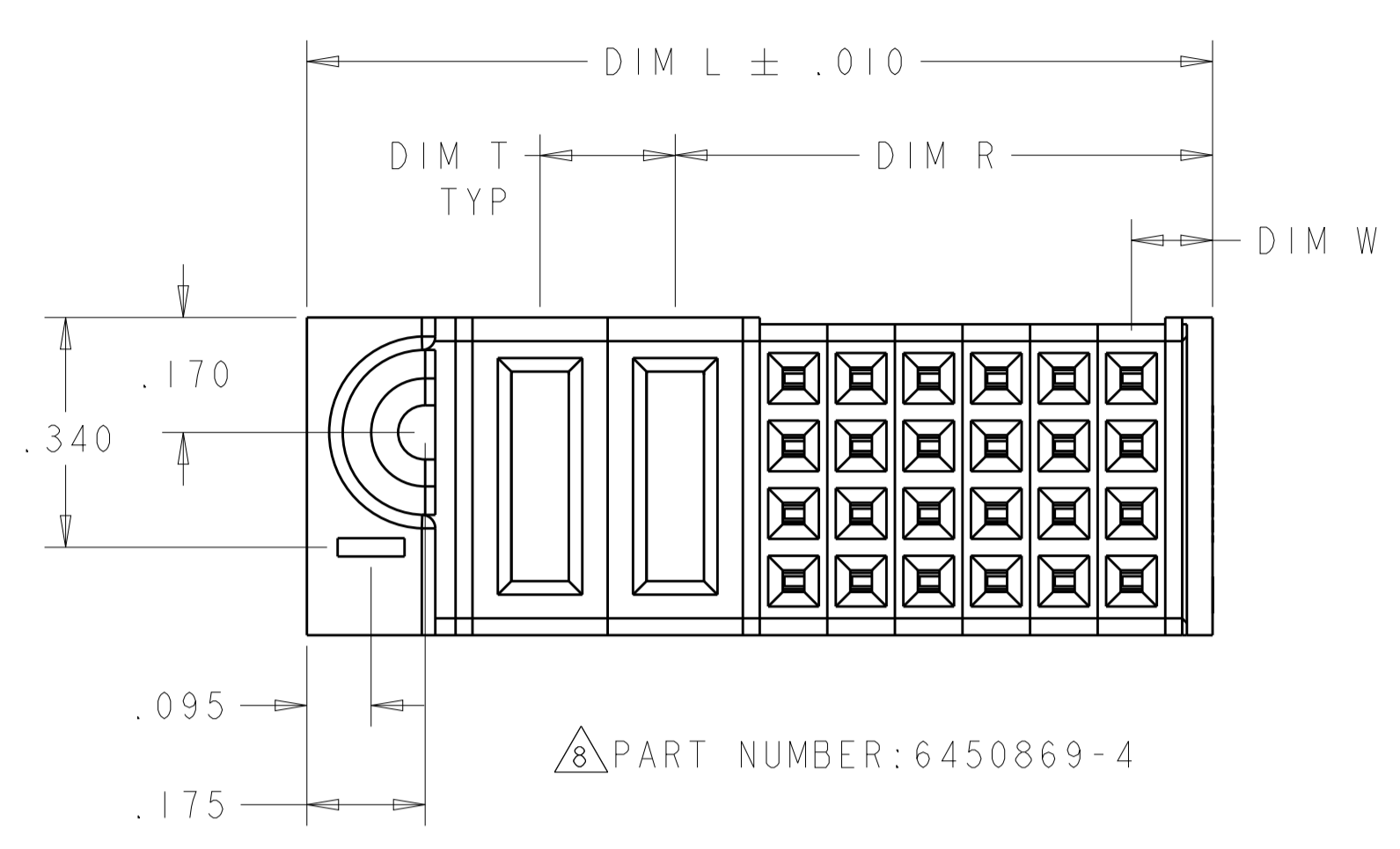
TE Connectivity

NAME: VERTICAL RECEPTACLE ASSEMBLY NO GUIDES MULTI-BEAM XLE

PRODUCT SPEC: 108-2292, APPLICATION SPEC: 114-13038, CAGE CODE: 100779, DRAWING NO: 6450869

SCALE: 4:1, SHEET 1 OF 10, REV: E2

LOC		DIST		REVISIONS			
ES	00	P	LTN	DESCRIPTION	DATE	DWN	APVD
-	-	-	-	SEE SHEET 1	-	-	-

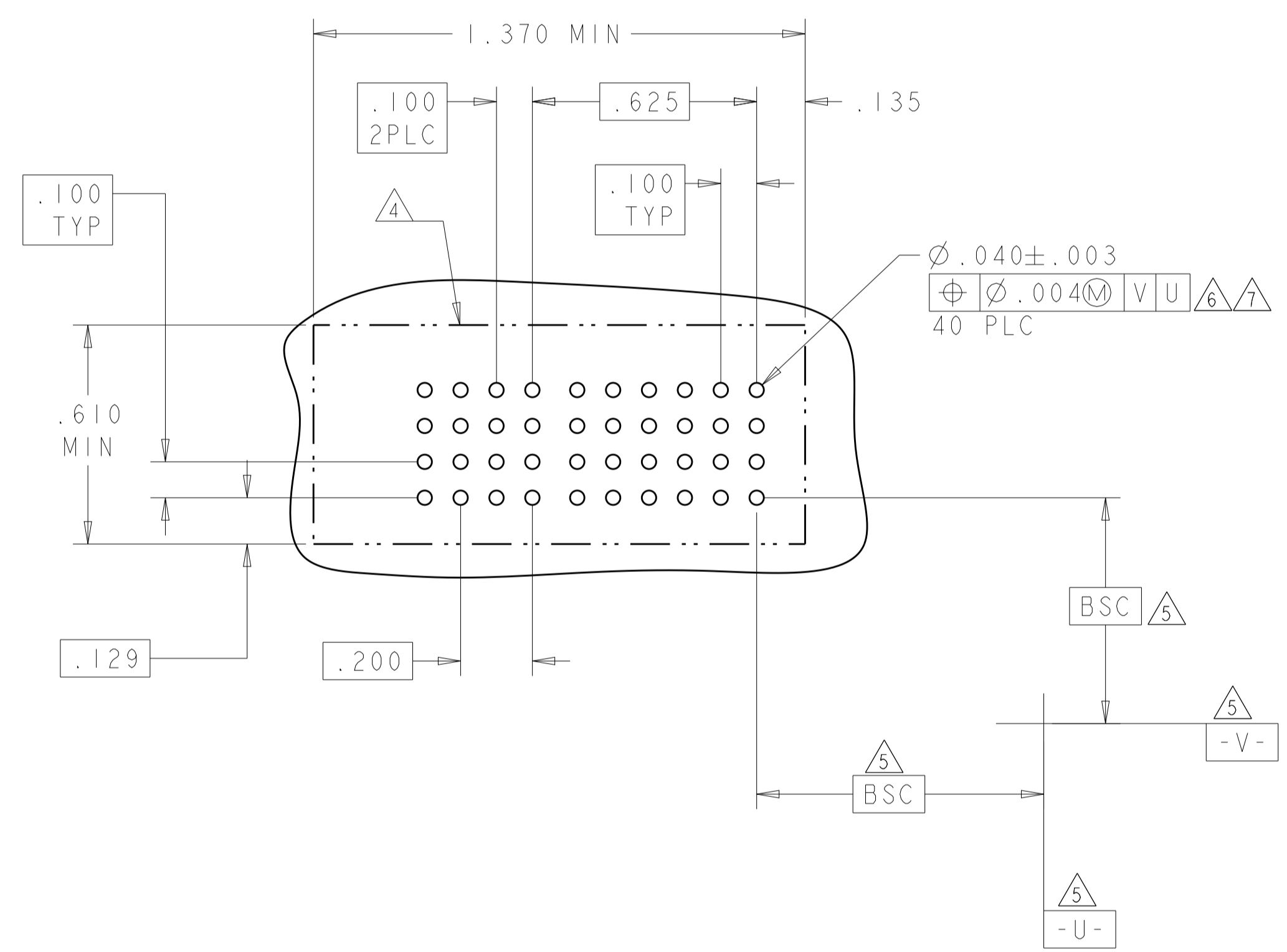
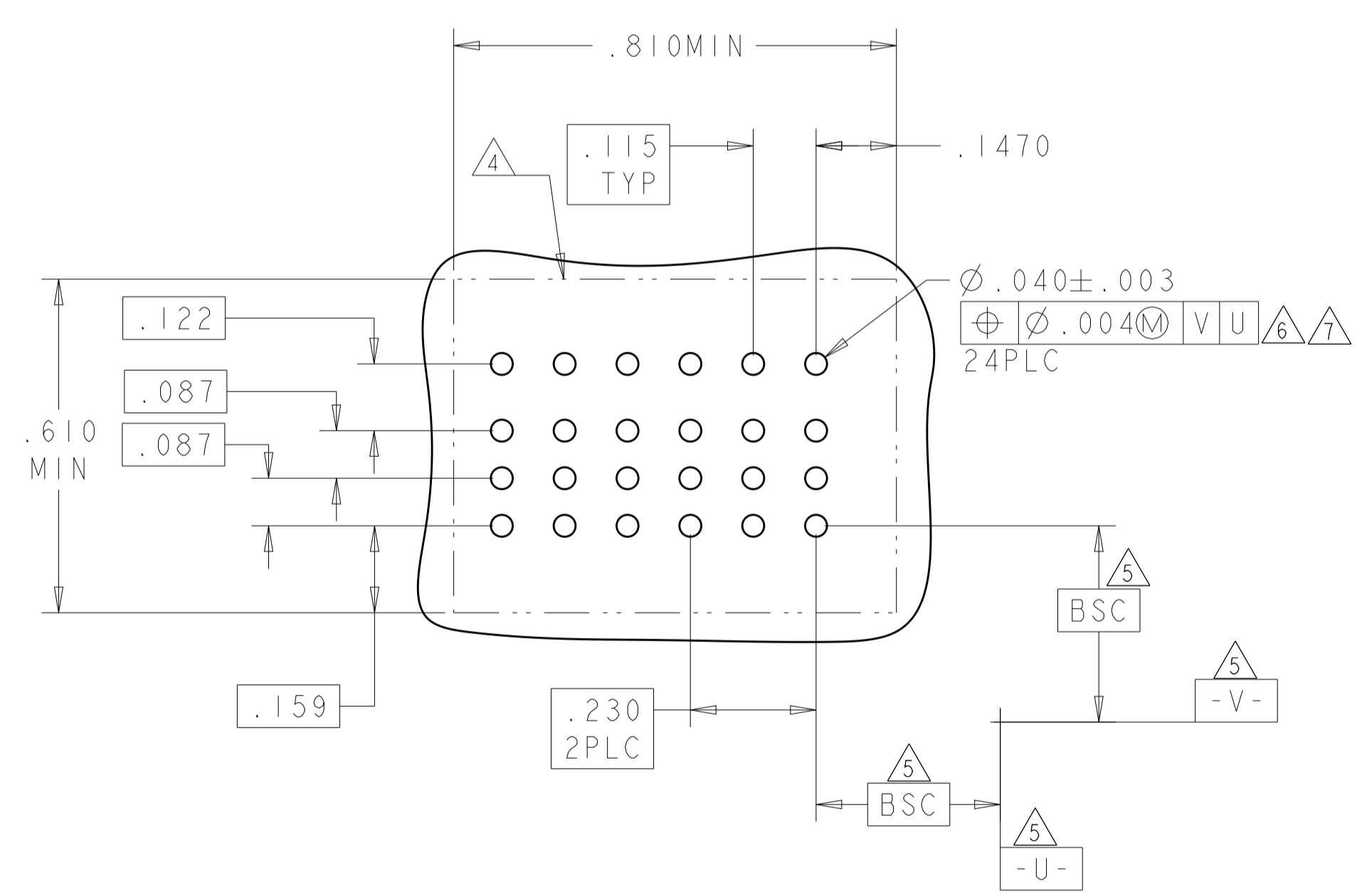


THIS DRAWING IS A CONTROLLED DOCUMENT.		DWN	H. LIU	30APR2008	TE Connectivity
DIMENSIONS: INCHES		CHK	S. ZHAO	30APR2008	
TOLERANCES UNLESS OTHERWISE SPECIFIED:		APVD	S. YAO	-	NAME
0 PLC	±	PRODUCT SPEC		VERTICAL RECEPTACLE ASSEMBLY	
2 PLC	±.01	APPLICATION SPEC		NO GUIDES	
3 PLC	±.005	SIZE		MULTI-BEAM XLE	
4 PLC	±.0020	CAGE CODE		A100779	
ANGLES	±.020	DRAWING NO		C=6450869	
FINISH	±.020	WEIGHT		-	
MATERIAL		CUSTOMER DRAWING		SCALE	
				4:1	
				SHEET	
				2	
				OF	
				10	
				REV	
				E2	

LOC	DIST	REV	DATE	BY	CHK	APPV
ES	00					

PART NUMBER	POWER					
	LP6	LP5	LP4	LP3	LP2	LP1
6450869-1	LSI	LSI	LSI	LSI	LSI	LSI
6 LP						

PART NUMBER	ROWS	POWER		SIGNAL						
		P2	PI	6	5	4	3	2	1	
6450869-4	D	GP	GS	AP	AP	AP	AP	AP	AP	
	C			AP	AP	AP	AP	AP	AP	
	B			AP	AP	AP	AP	AP	AP	
	A			AP	AP	AP	AP	AP	AP	
24S + 2P										



P	.115 TAIL LENGTH, PRESS FIT, SIGNAL
AP	.135 TAIL LENGTH, PRESS FIT, SIGNAL
VP	MFBL .115 TAIL LENGTH, PRESS FIT, POWER
VS	STD .115 TAIL LENGTH, PRESS FIT, POWER
GP	MFBL .135 TAIL LENGTH, PRESS FIT, POWER
GS	STD .135 TAIL LENGTH, PRESS FIT, POWER
LSI	STD .135 TAIL LENGTH, PRESS FIT, POWER
CODE	PRESS FIT
POWER CONTACT	

THIS DRAWING IS A CONTROLLED DOCUMENT.

DIMENSIONS: INCHES	TOLERANCES UNLESS OTHERWISE SPECIFIED:	0 PLC ± .01	1 PLC ± .01	2 PLC ± .01	3 PLC ± .01	4 PLC ± .005	5 PLC ± .002	ANGLES ± .020	FINISH
--------------------	--	-------------	-------------	-------------	-------------	--------------	--------------	---------------	--------

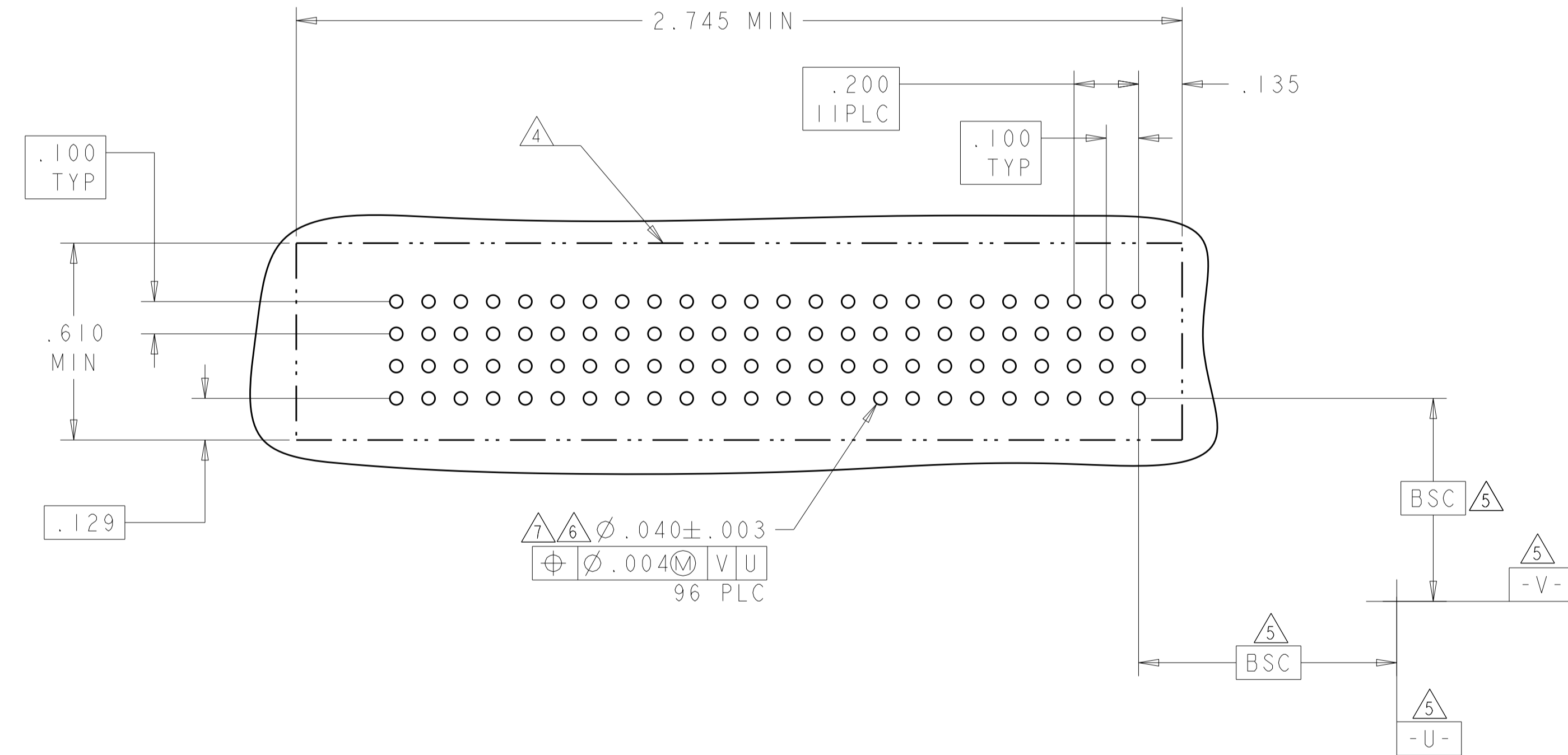
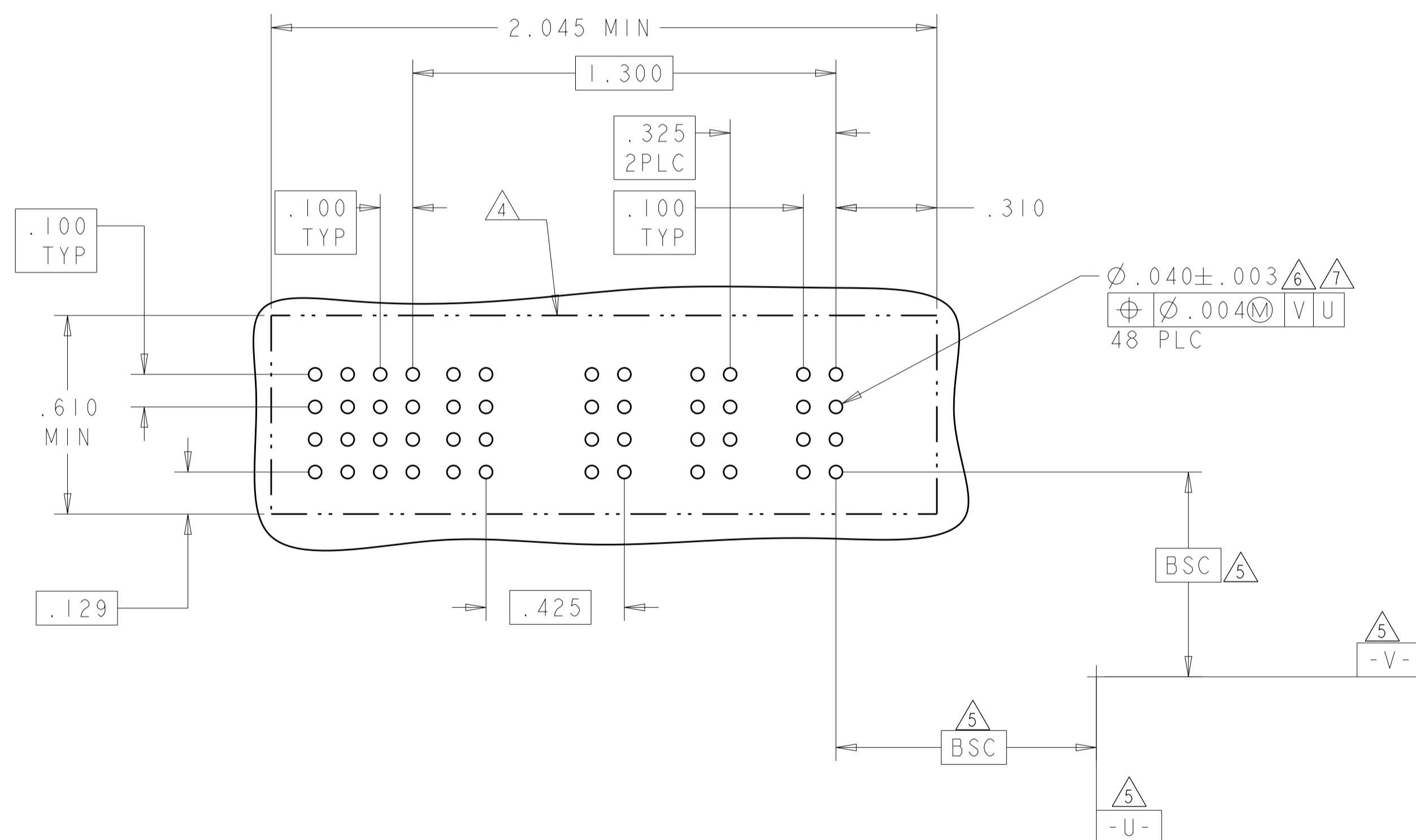
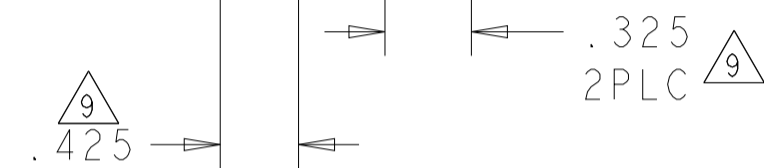
OWN: H. LIU	30APR2008	 TE Connectivity
CHK: S. ZHAO	30APR2008	
APVD: S. YAO		NAME: VERTICAL RECEPTACLE ASSEMBLY
		PRODUCT SPEC: 108-2292
		APPLICATION SPEC: 114-13038
MATERIAL: -	FINISH: -	SIZE: A1
		CAGE CODE: 100779
		DRAWING NO: 6450869
		REVISION: E2

CUSTOMER DRAWING SCALE 4:1 SHEET 3 OF 10

LOC	DIST	REVISIONS			
P	LTN	DESCRIPTION	DATE	DMN	APVD
ES	00	SEE SHEET 1	-	-	-

PART NUMBER	ROWS	SIGNAL				POWER			
		4	3	2	1	P4	P3	P2	P1
6450869-5	D	AP	AP	AP	AP	GP	GS	GS	GS
	C	AP	AP	AP	AP				
	B	AP	AP	AP	AP				
	A	AP	AP	AP	AP				
4P + 16S									

PART NUMBER	POWER											
	P12	P11	P10	P9	P8	P7	P6	P5	P4	P3	P2	P1
6450869-7	GS	GS	GP	GS	GS	GS	GS	GS	GP	GS	GS	GS
12P												

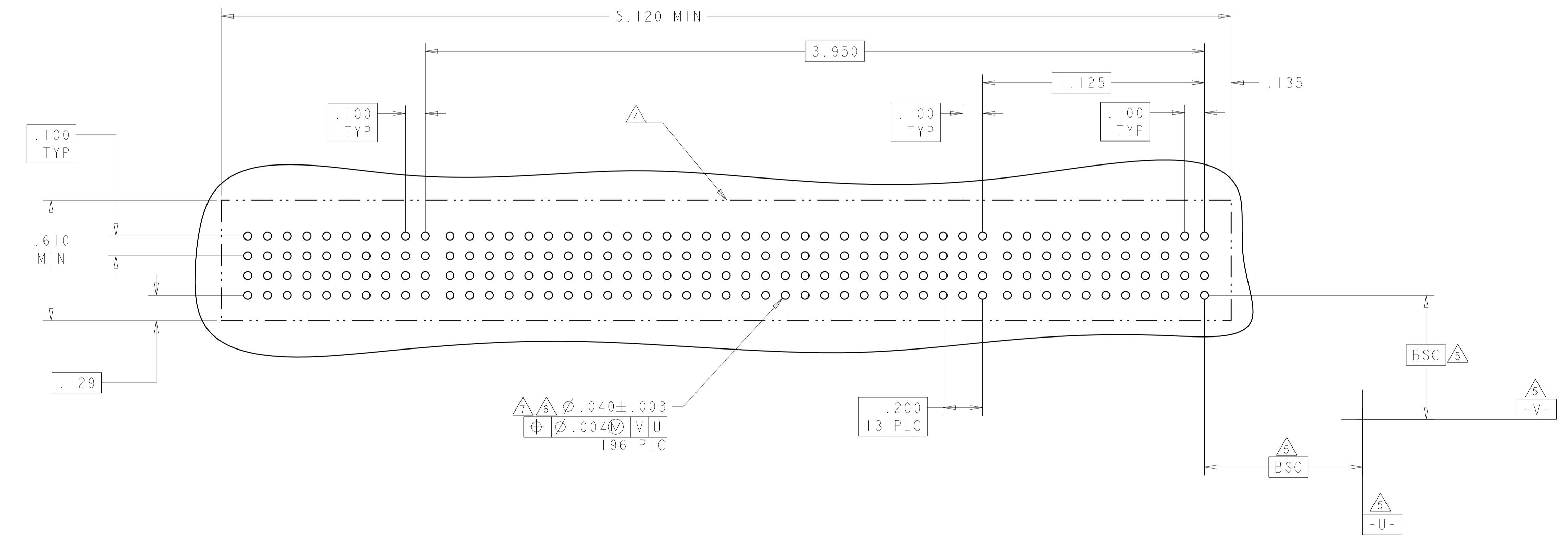


THIS DRAWING IS A CONTROLLED DOCUMENT.

DIMENSIONS: INCHES	TOLERANCES UNLESS OTHERWISE SPECIFIED: 0 PLC ±. 1 PLC ±. 2 PLC ±.01 3 PLC ±.005 4 PLC ±.0020 ANGLES ±.7°	FINISH	DMN: H.LIU 30APR2008 CHK: S.ZHAO 30APR2008 APVD: S.YAO	NAME: VERTICAL RECEPTACLE ASSEMBLY NO GUIDES MULTI-BEAM XLE
MATERIAL			PRODUCT SPEC: 108-2292 APPLICATION SPEC: 114-13038 WEIGHT	SIZE: A1 CAGE CODE: 100779 DRAWING NO: 6450869
CUSTOMER DRAWING			SCALE: 4:1	SHEET 4 OF 10 REV: E2

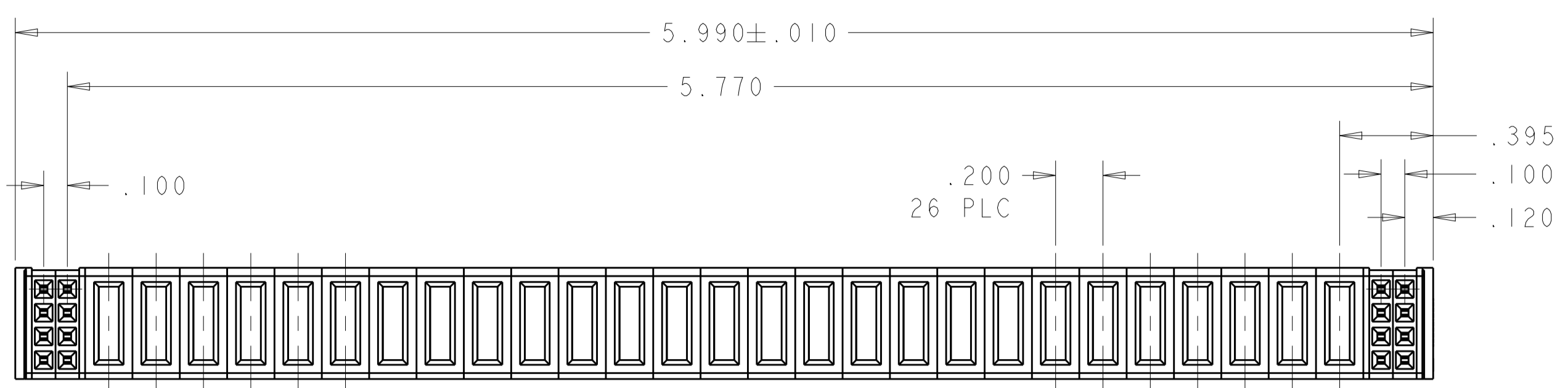
STC TE Connectivity

PART NUMBER	ROWS	SIGNAL										POWER										SIGNAL																	
		21	20	19	18	17	16	15	14	13	12	PI4	PI3	PI2	PI1	PI0	P9	P8	P7	P6	P5	P4	P3	P2	P1	11	10	9	8	7	6	5	4	3	2	1			
6450869-6	D	AP	AP	AP	AP	AP	AP	AP	AP	AP	AP	AP	AP	AP	AP	AP	AP	AP	AP	AP	AP	AP	AP	AP	AP	AP	AP	AP	AP	AP	AP	AP	AP	AP	AP	AP	AP	AP	
	C	AP	AP	AP	AP	AP	AP	AP	AP	AP	AP	AP	AP	AP	AP	AP	AP	AP	AP	AP	AP	AP	AP	AP	AP	AP	AP	AP	AP	AP	AP	AP	AP	AP	AP	AP	AP		
	B	AP	AP	AP	AP	AP	AP	AP	AP	AP	AP	AP	AP	AP	AP	AP	AP	AP	AP	AP	AP	AP	AP	AP	AP	AP	AP	AP	AP	AP	AP	AP	AP	AP	AP	AP	AP		
	A	AP	AP	AP	AP	AP	AP	AP	AP	AP	AP	AP	AP	AP	AP	AP	AP	AP	AP	AP	AP	AP	AP	AP	AP	AP	AP	AP	AP	AP	AP	AP	AP	AP	AP	AP	AP		
44S + 14P + 40S																																							

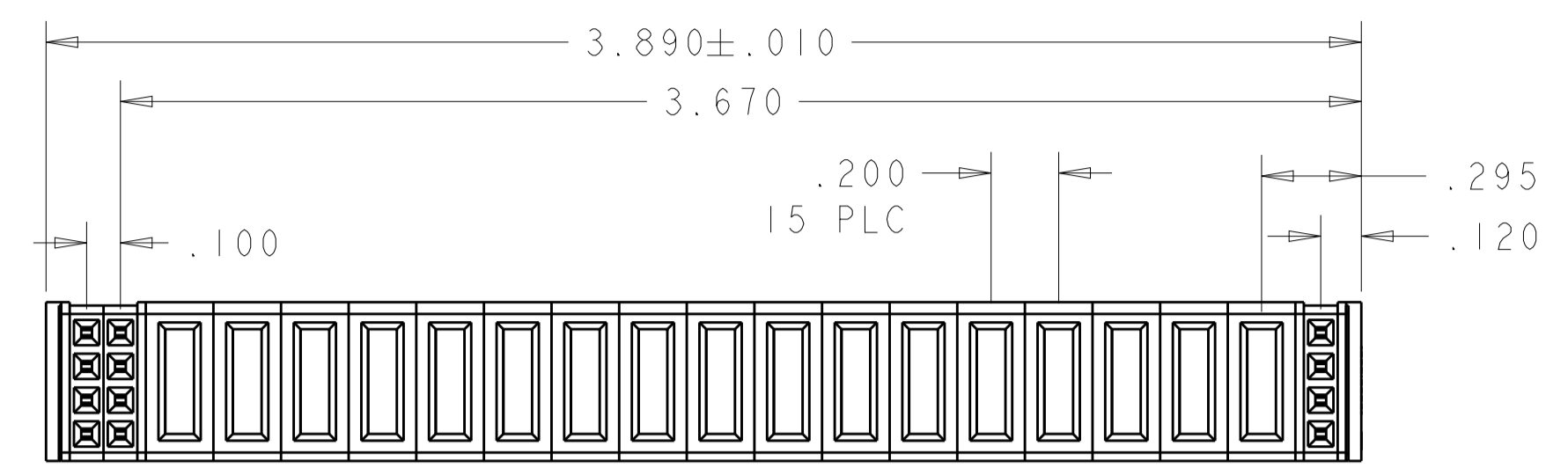


THIS DRAWING IS A CONTROLLED DOCUMENT.		DMN	H.LIU	30APR2008
DIMENSIONS: INCHES		CHK	S.ZHAO	30APR2008
TOLERANCES UNLESS OTHERWISE SPECIFIED:		APVD	S.YAO	-
0 PLC	±	PRODUCT SPEC	VERTICAL RECEPTACLE ASSEMBLY	
1 PLC	±.01	APPLICATION SPEC	NO GUIDES	
2 PLC	±.005	APPLIC	MULTI-BEAM XLE	
3 PLC	±.0020	SIZE	A1	00779
4 PLC	±.0020	CAGE CODE	C=	6450869
ANGLES	±.7°	WEIGHT	-	
FINISH	-	CUSTOMER DRAWING	SCALE 4:1 SHEET 5 OF 10 REV E2	

LOC	DIST	REVISIONS			
P	LTN	DESCRIPTION	DATE	OWN	APVD
-	-	SEE SHEET 1	-	-	-



PART NUMBER: 6450869-2



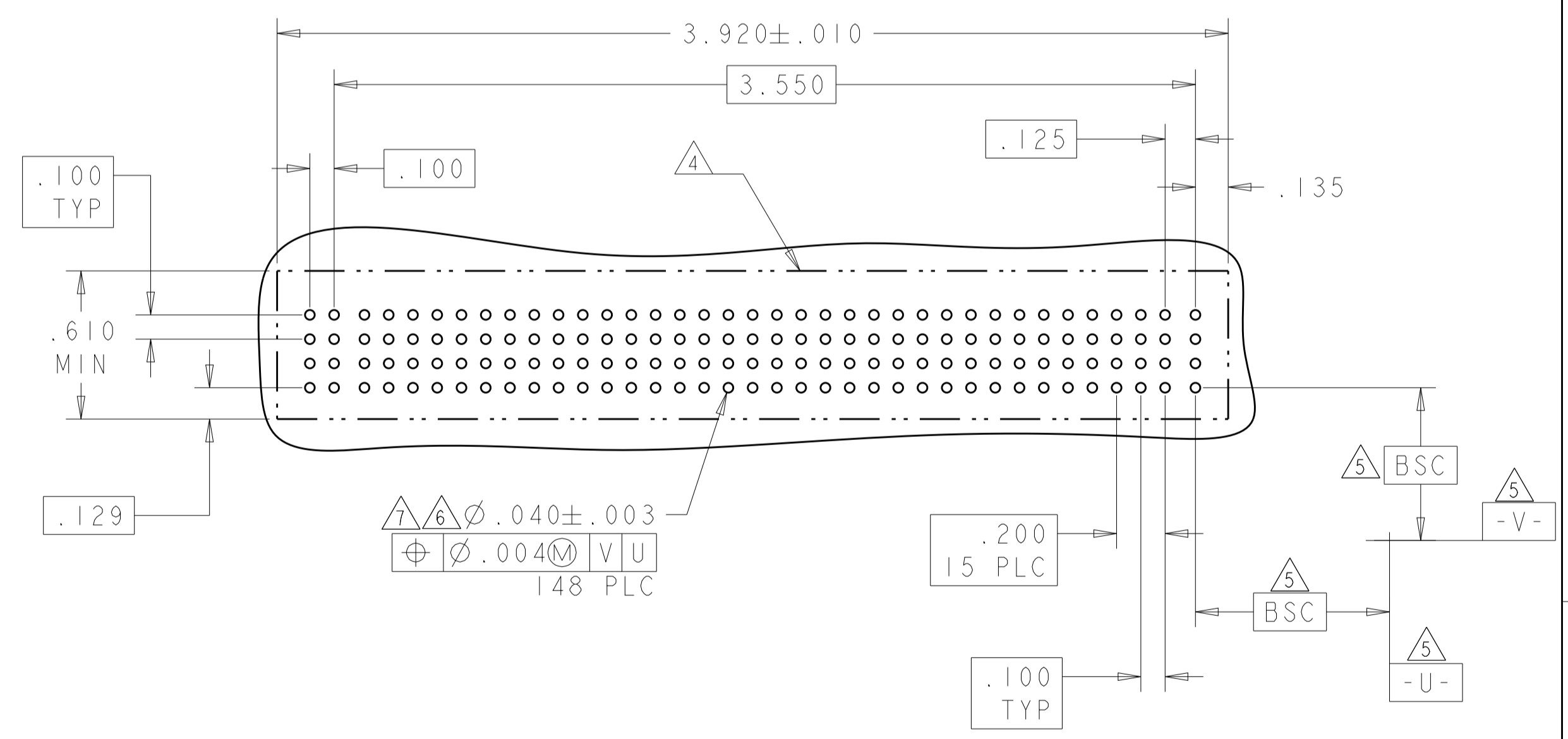
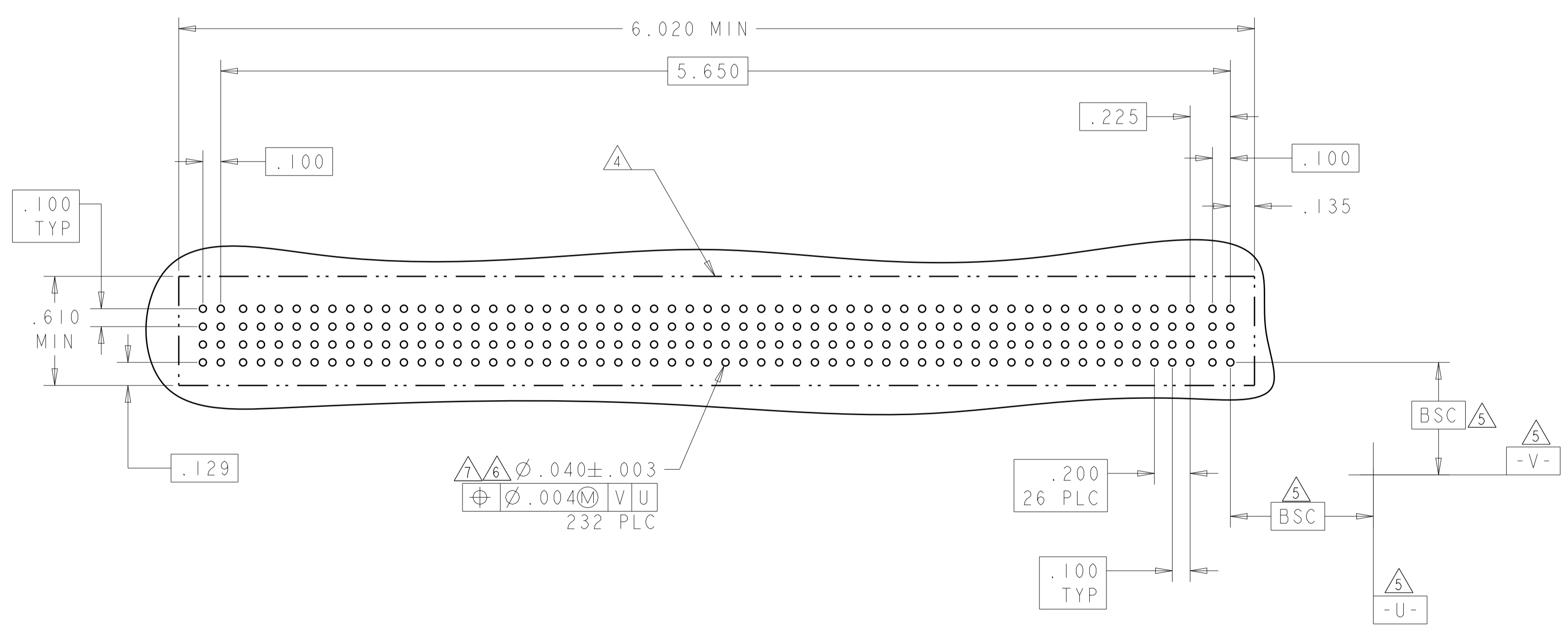
PART NUMBER: 6450869-3

PART NUMBER	ROWS	SIGNAL		POWER																		SIGNAL											
		4	3	P27	P26	P25	P24	P23	P22	P21	P20	P19	P18	P17	P16	P15	P14	P13	P12	P11	P10	P9	P8	P7	P6	P5	P4	P3	P2	P1	2	1	
6450869-2	D	P	P																													P	P
	C	P	P	VS	VS	VS	VS	VS	VS	VS	VS	VS	VS	VS	VS	VS	VS	VS	VS	VS	VS	VS	VS	VS	VS	VS	VS	VS	VS	VS	P	P	
	B	P	P																												P	P	
	A	P	P																												P	P	

8S + 27P + 8S

PART NUMBER	ROWS	SIGNAL		POWER																		S									
		3	2	P17	P16	P15	P14	P13	P12	P11	P10	P9	P8	P7	P6	P5	P4	P3	P2	P1	I										
6450869-3	D	P	P																												P
	C	P	P	VS	VS	VS	VS	VS	VS	VS	VS	VS	VS	VS	VS	VS	VS	VS	VS	VS	VS	VS	VS	VS	VS	VS	VS	VS	VS	P	
	B	P	P																											P	
	A	P	P																											P	

4S + 17HDP + 8S

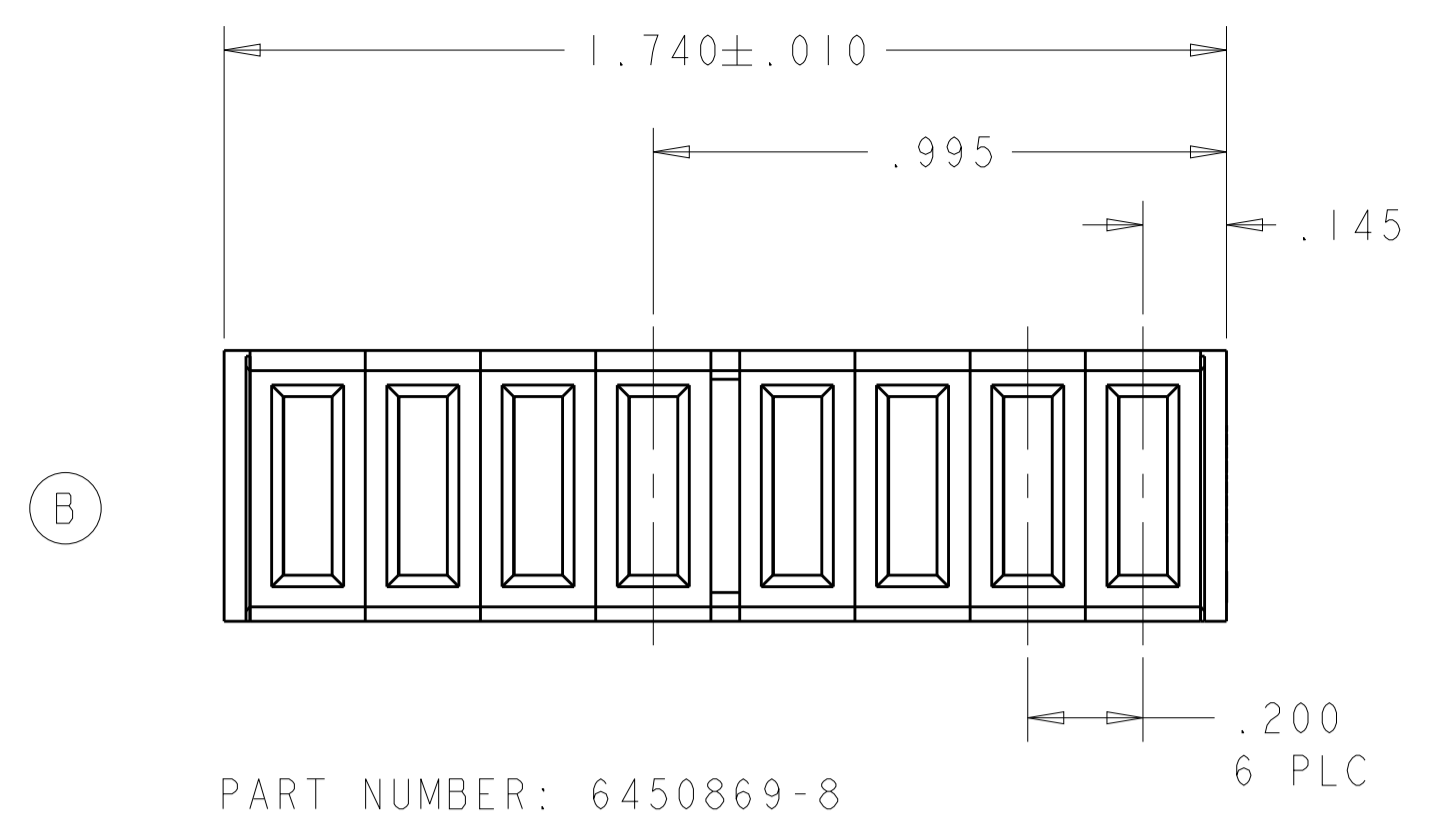


THIS DRAWING IS A CONTROLLED DOCUMENT.

DIMENSIONS:	TOLERANCES UNLESS OTHERWISE SPECIFIED:	OWN: H.LIU 30APR2008	CHK: S.ZHAO 30APR2008	TE Connectivity
INCHES	0 PLC ±.01 1 PLC ±.01 2 PLC ±.01 3 PLC ±.005 4 PLC ±.002 ANGLES ±.02	APVD: S.YAO	NAME: VERTICAL RECEPTACLE ASSEMBLY	
MATERIAL:	FINISH:	PRODUCT SPEC: 108-2292	APPLICATION SPEC: 114-13038	RESTRICTED TO:
		WEIGHT:	SCALE: 4:1	SHEET 6 OF 10
		CUSTOMER DRAWING	REV: E2	

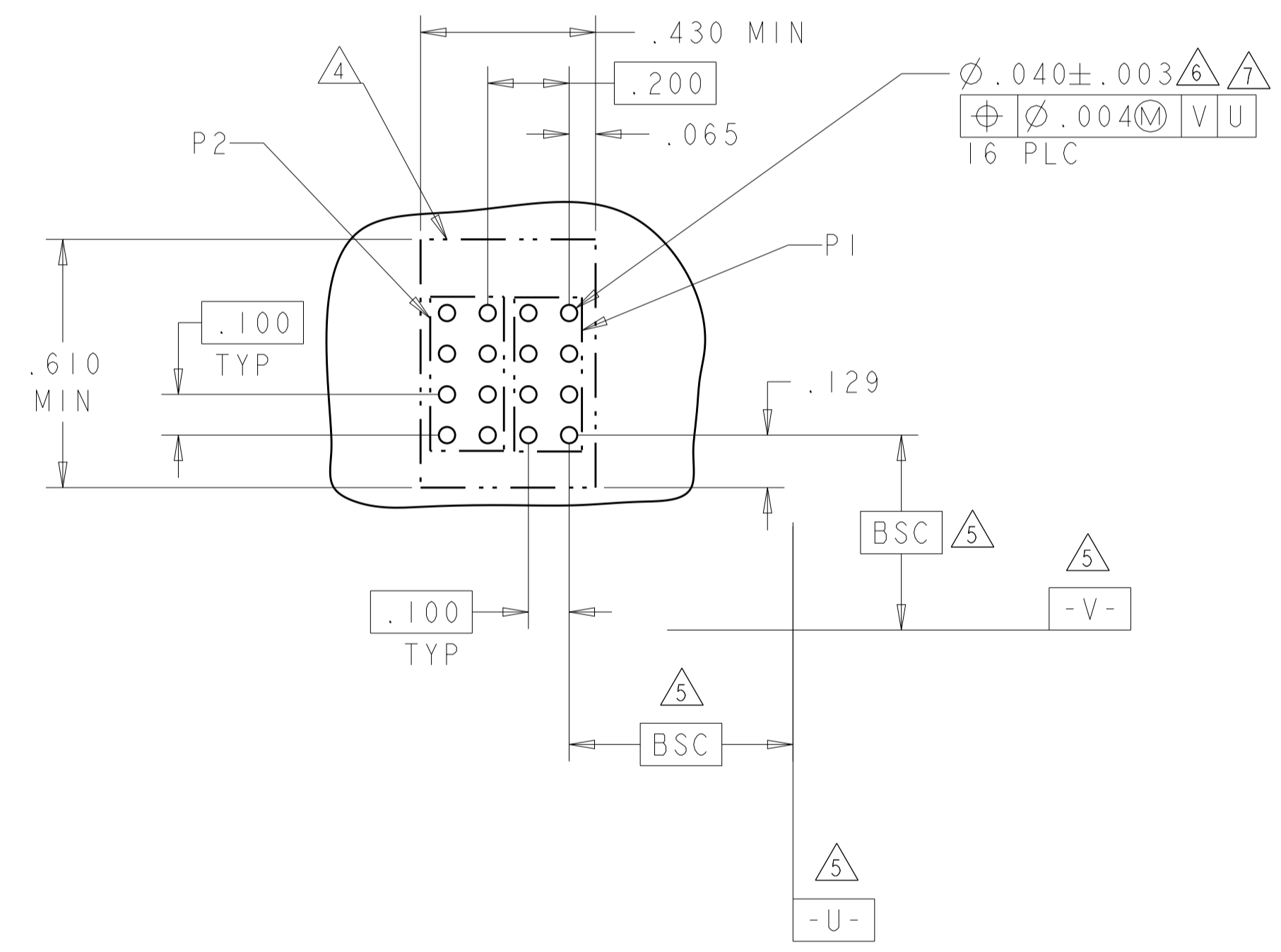
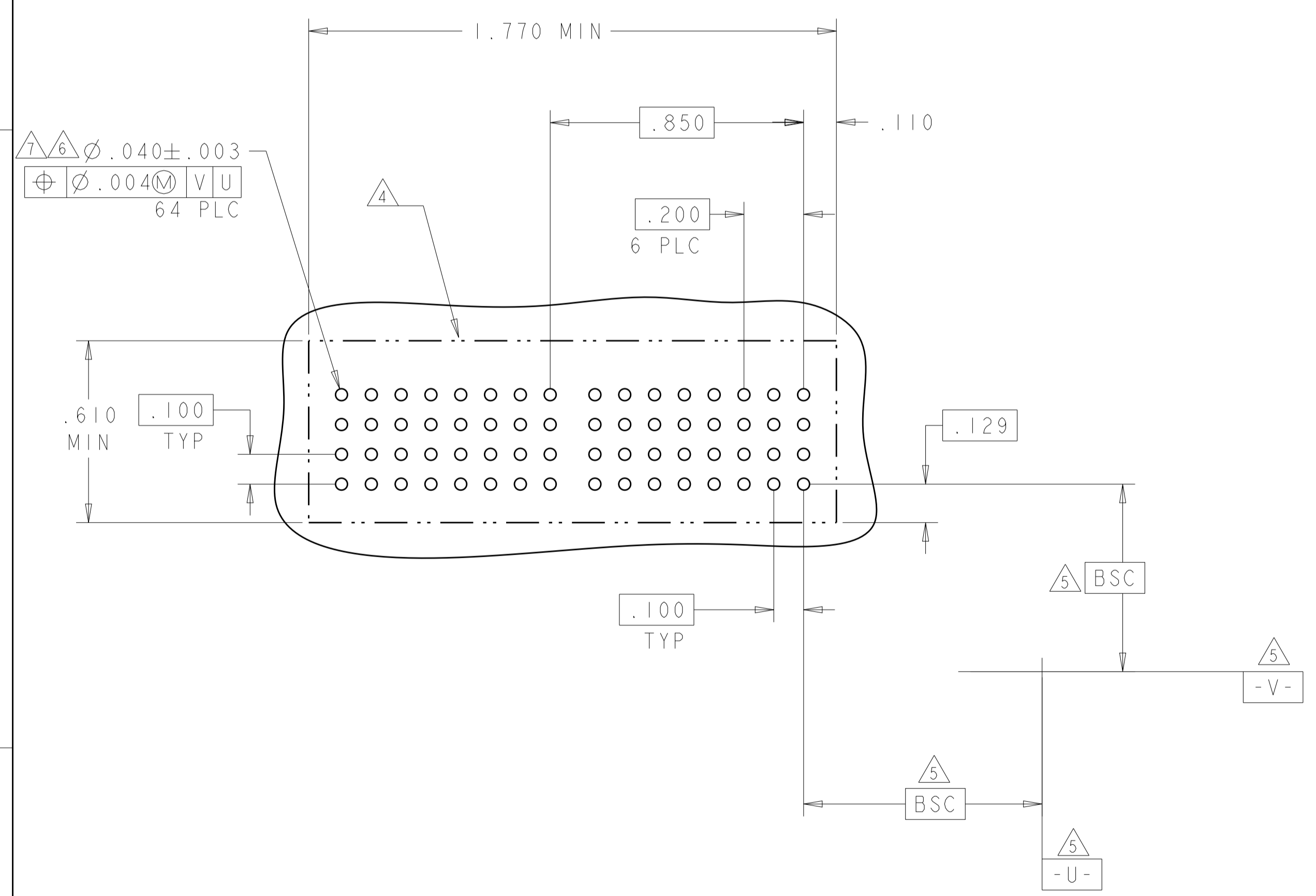
SIZE: A1 CAGE CODE: 6450869

LOC	DIST	REVISIONS			
P	LTN	DESCRIPTION	DATE	DWN	APVD
-	-	SEE SHEET 1	-	-	-



PART NUMBER	POWER	
	P2	P1
1-6450869-3	GP	GS
2P		

PART NUMBER	ROWS	POWER							
		P8	P7	P6	P5	P4	P3	P2	P1
6450869-8	D								
	C	GS	GS	GS	GS	GS	GS	GS	GS
	B								
	A								
8P									

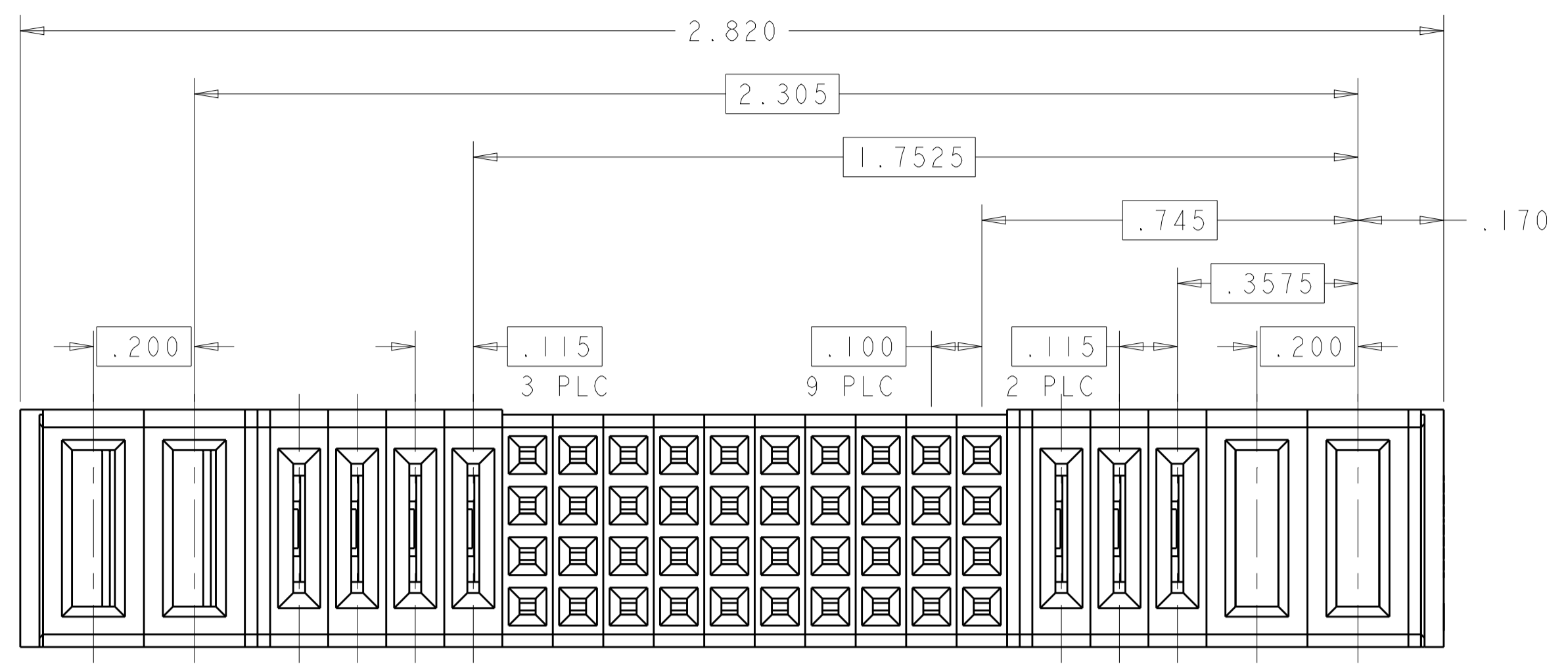


THIS DRAWING IS A CONTROLLED DOCUMENT. DWN: H.LIU 30APR2008, CHK: S.ZHAO 30APR2008, APVD: S.YAO

DIMENSIONS: INCHES	TOLERANCES UNLESS OTHERWISE SPECIFIED:	PRODUCT SPEC	NAME
0 PLC ±.01	1 PLC ±.01	108-2292	VERTICAL RECEPTACLE ASSEMBLY
2 PLC ±.01	3 PLC ±.005	APPLICATION SPEC	NO GUIDES
4 PLC ±.0020	ANGLES ±.2°	114-13038	MULTI-BEAM XLE
MATERIAL	FINISH	WEIGHT	RESTRICTED TO
-	-	-	A100779C=6450869
CUSTOMER DRAWING		SCALE 4:1	SHEET 7 OF 10 REV E2

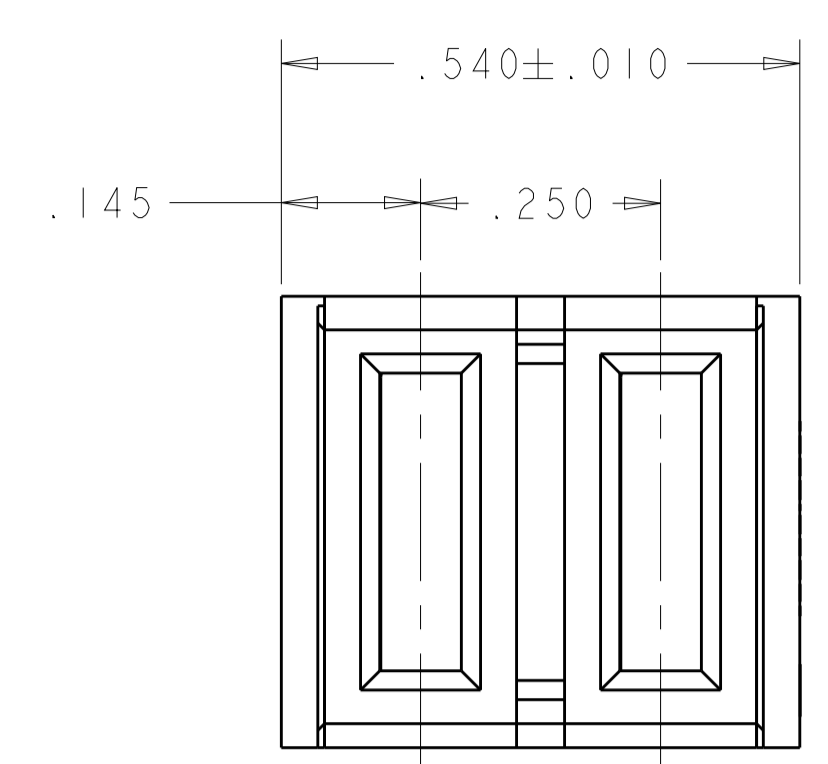
TE Connectivity

LOC		DIST		REVISIONS			
ES		00		REV	DATE	BY	APPR
				1	SEE SHEET 1		

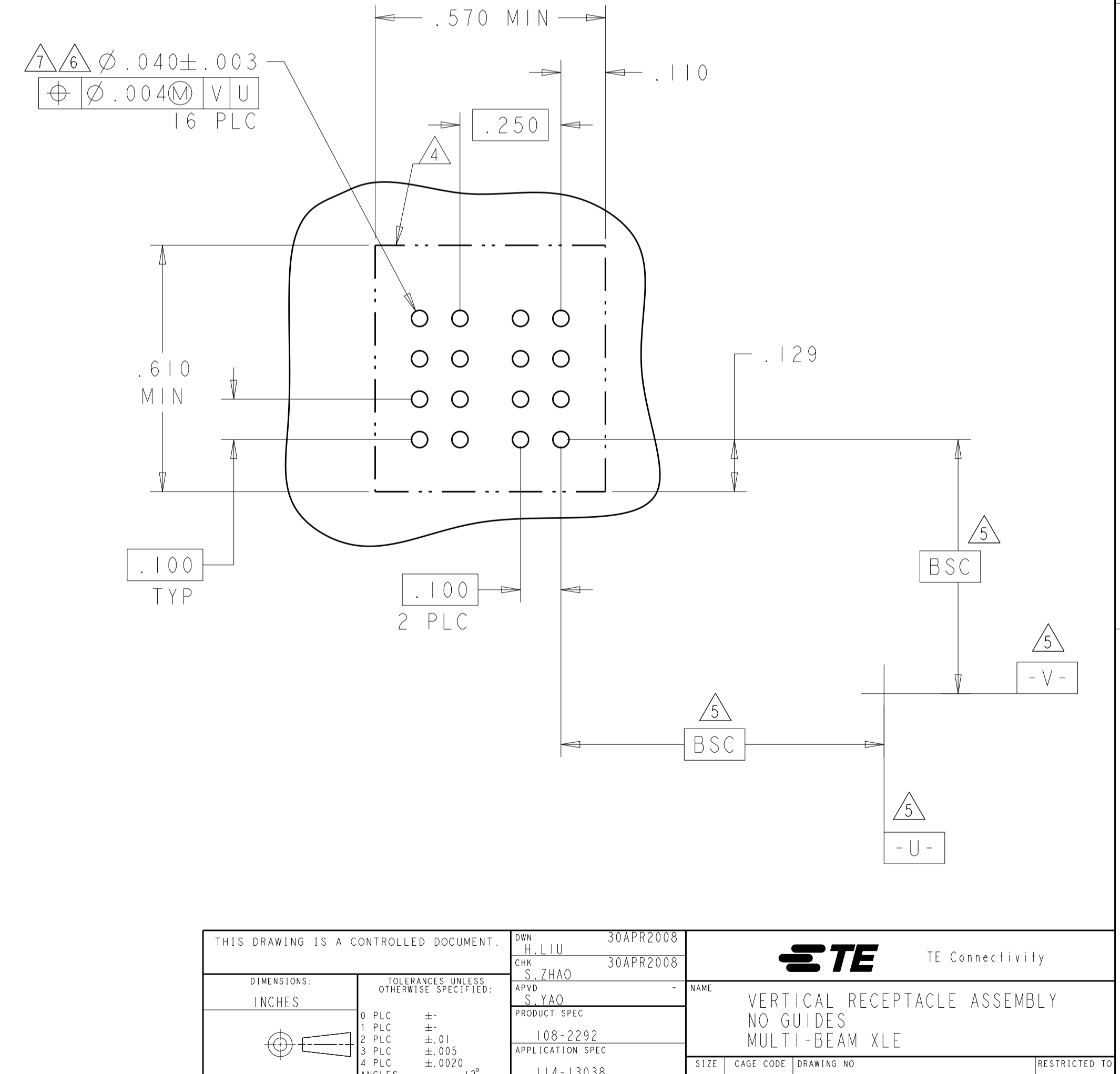
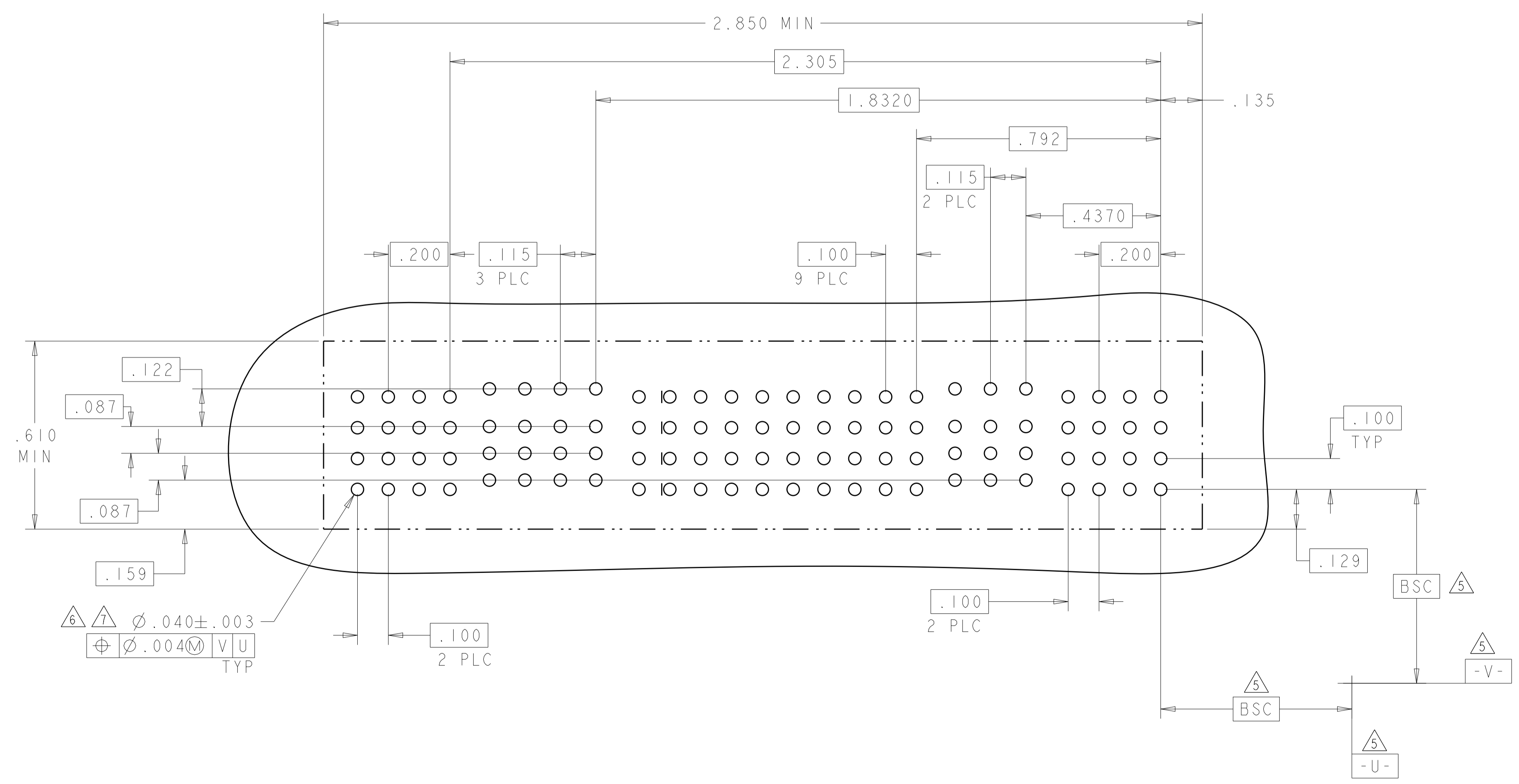


PART NUMBER	ROWS	POWER						SIGNAL										POWER										
		P4	P3	LP7	LP6	LP5	LP4	10	9	8	7	6	5	4	3	2	1	LP3	LP2	LP1	P2	P1						
I-6450869-6	D							AP	AP	AP	AP	AP	AP	AP	AP	AP												
	C	GS	GS	LSI	LSI	LSI	LSI	AP	AP	AP	AP	AP	AP	AP	AP	AP	LSI	LSI	LSI	LSI	GS	GS						
	B							AP	AP	AP	AP	AP	AP	AP	AP	AP												
	A							AP	AP	AP	AP	AP	AP	AP	AP	AP												

2HDP + 3LP + 40S + 4LP + 2HDP



PART NUMBER	POWER	
	P2	P1
I-6450869-7	GS	GS
2P		



THIS DRAWING IS A CONTROLLED DOCUMENT. DWN: H.LIU 30APR2008
 CHK: S.ZHAO 30APR2008
 APVD: S.YAO

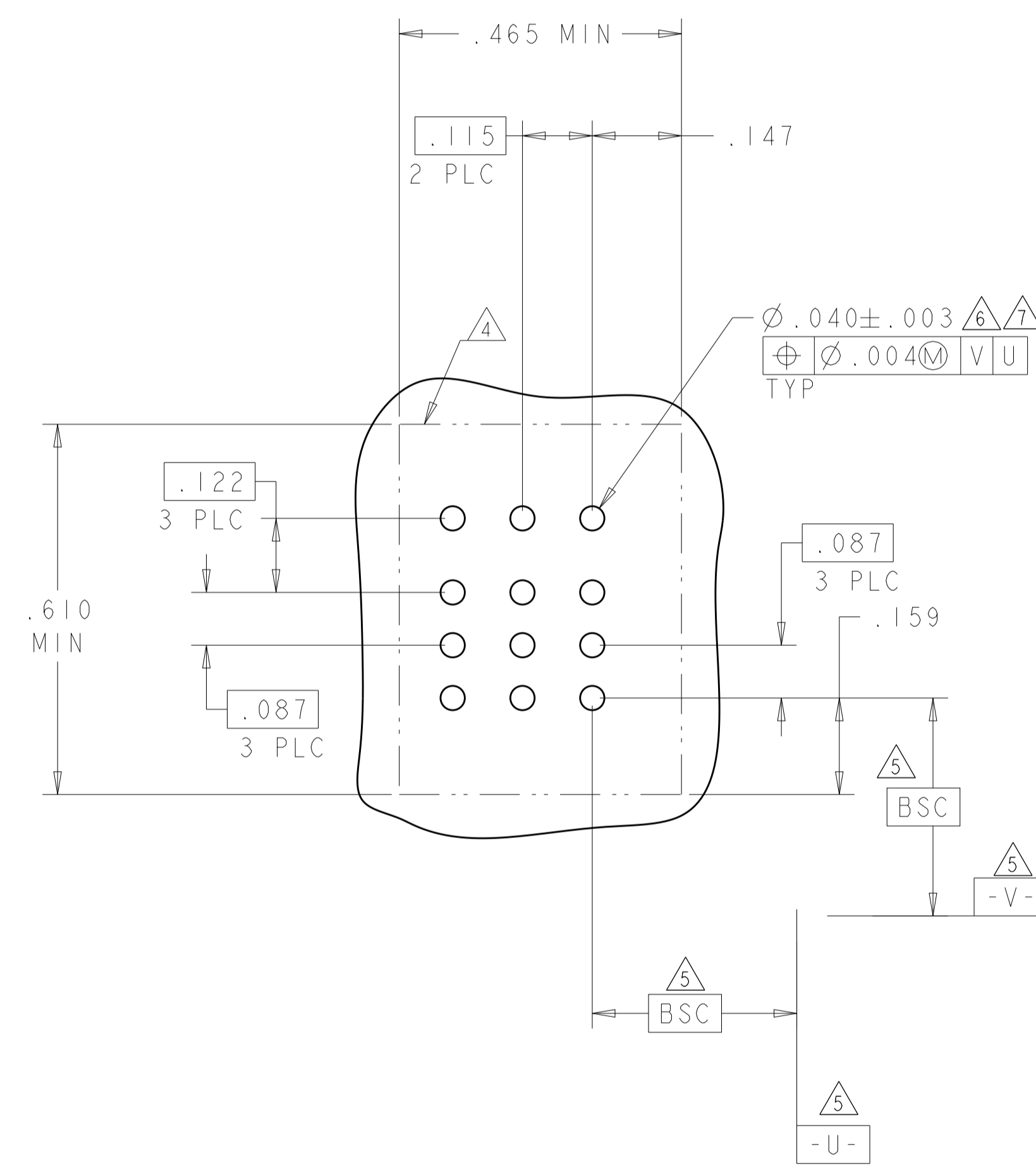
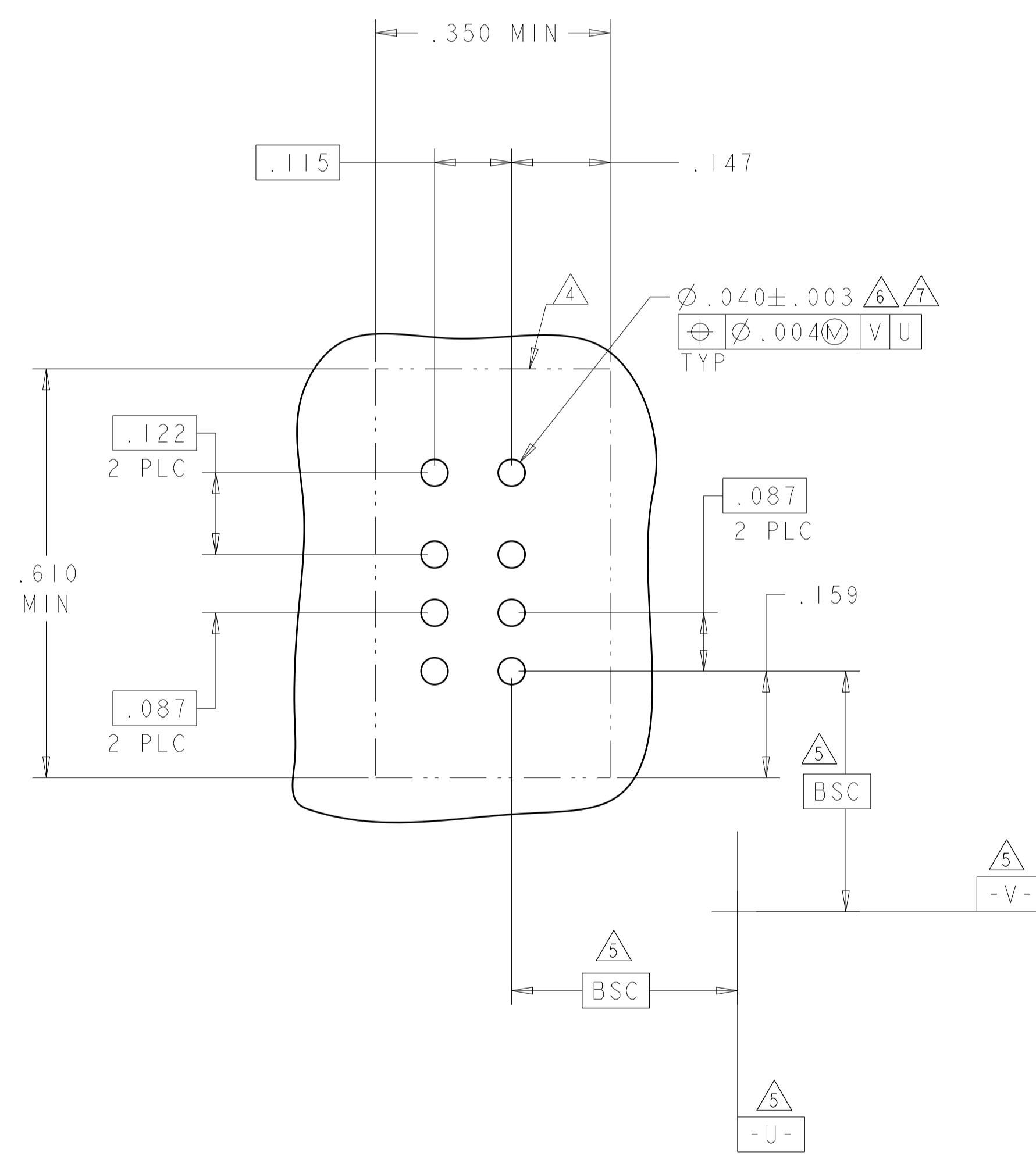
DIMENSIONS:	TOLERANCES UNLESS OTHERWISE SPECIFIED:	PRODUCT SPEC	NAME
INCHES	0 PLC ± .01 1 PLC ± .01 2 PLC ± .01 3 PLC ± .005 4 PLC ± .002	108-2292	VERTICAL RECEPTACLE ASSEMBLY NO GUIDES MULTI-BEAM XLE
MATERIAL:	FINISH: #2	APPLICATION SPEC	RESTRICTED TO
		114-13038	SIZE: CAGE CODE: DRAWING NO: A100779
		WEIGHT: -	SCALE: 4:1 SHEET 9 OF 10 REV: E2
		CUSTOMER DRAWING	©=6450869

TE Connectivity

LOC		DIST		REVISONS			
P	LTN	DESCRIPTION	DATE	DWN	APVD		
-	-	SEE SHEET 1	-	-	-		

PART NUMBER	LOW POWER	
	LP2	LP1
2-6450869-2	LS1	LS1
2LP		

PART NUMBER	LOW POWER		
	LP3	LP2	LP1
2-6450869-3	LS1	LS1	LS1
3 LP			



THIS DRAWING IS A CONTROLLED DOCUMENT.		DWN: H.LIU 30APR2008	
DIMENSIONS: INCHES		CHK: S.ZHAO 30APR2008	
TOLERANCES UNLESS OTHERWISE SPECIFIED:		APVD: S.YAO	NAME: VERTICAL RECEPTACLE ASSEMBLY
0 PLC ±.	1 PLC ±.01	PRODUCT SPEC: 108-2292	NO GUIDES
2 PLC ±.01	3 PLC ±.005	APPLICATION SPEC: 114-13038	MULTI-BEAM XLE
4 PLC ±.0020	ANGLES ±.2°	SIZE: A1	CAGE CODE: 6450869
MATERIAL: -	FINISH: -	WEIGHT: -	RESTRICTED TO: -
CUSTOMER DRAWING		SCALE: 4:1	SHEET 10 OF 10 REV: E2