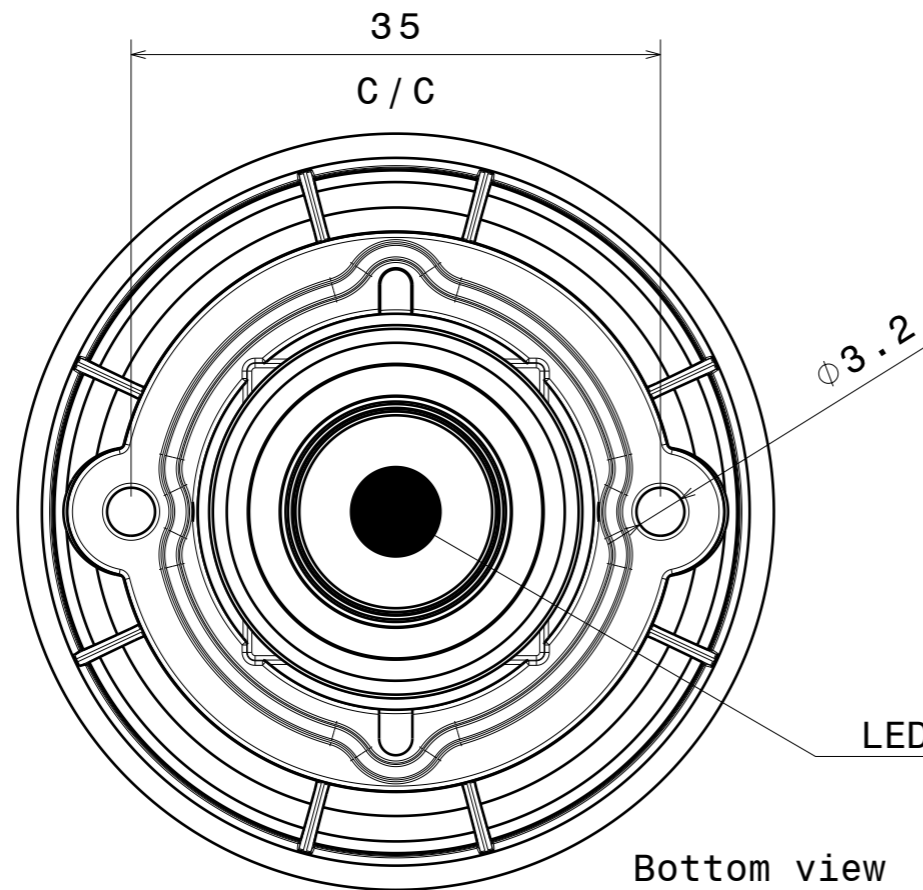
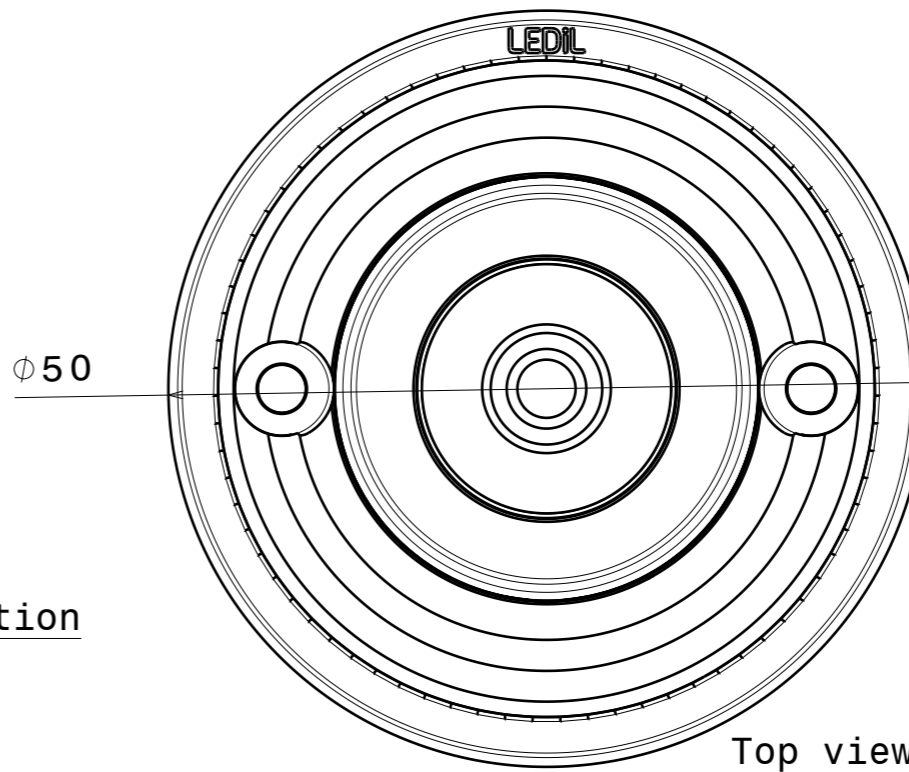


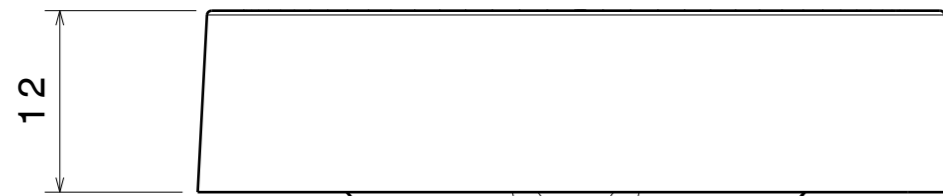
H G F E D C B A



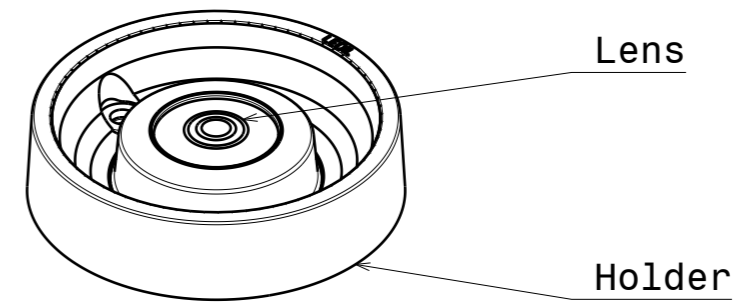
Bottom view
Scale: 2:1



Top view
Scale: 2:1



Front view
Scale: 2:1



Isometric view
Scale: 1:1

NOTES:
Maximum recommended tightening torque for SAGA-FRAME is 0,4Nm
The final IP-rating is dependant of the whole luminaire design and some solutions may need additional potting or covering elements in order to achieve desired level of protection. To achieve fully sealed protection LEDiL recommends to fasten SAGA holder directly on the heatsink.

Tolerances if not otherwise shown
According to DIN ISO 2768-1
Linear measures: class V
Please note that due to the elasticity of products made of silicone actual measured values may vary, and therefore typical tolerance values may not be applied.

LEDiL Ledil Oy
Salorankatu 10
FIN 24240 SALO
Finland

THIRD ANGLE PROJECTION:

DRAWING TITLE
CN13990_SAGA-HB-IP-WHT

This drawing is the property of LEDiL Oy. It may not be reproduced, copied or communicated without a written agreement with LEDiL Oy."

SIZE	PART NUMBER
A3	CN13990

SCALE	2:1	WEIGHT	-	SHEET	1/1
-------	-----	--------	---	-------	-----

H G B A