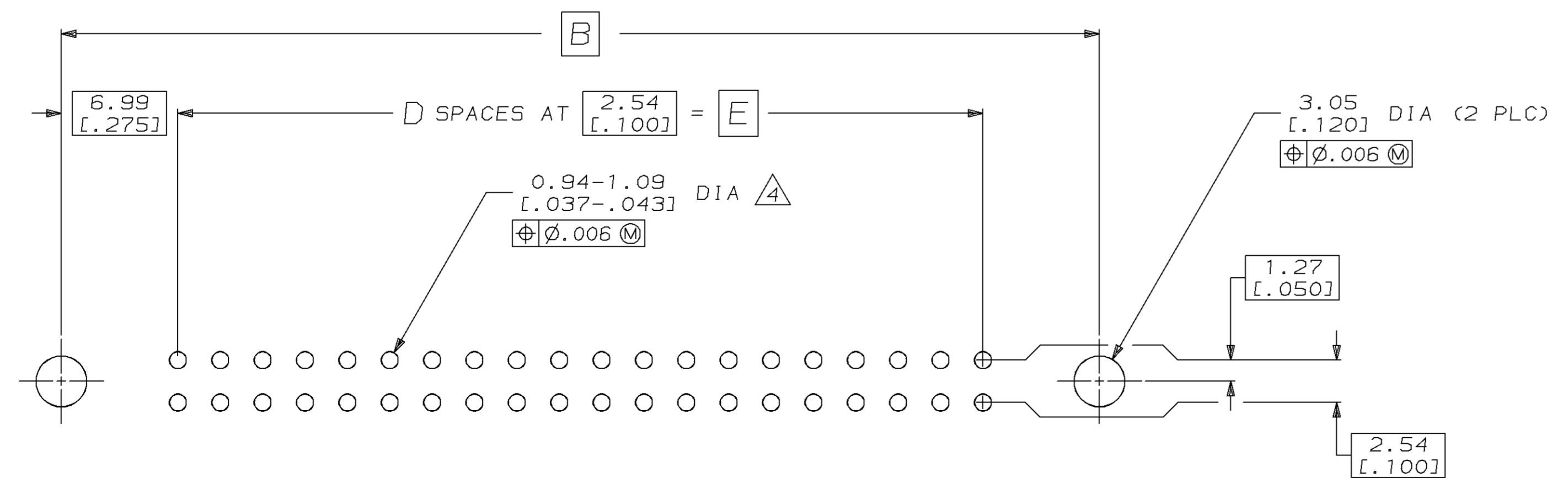
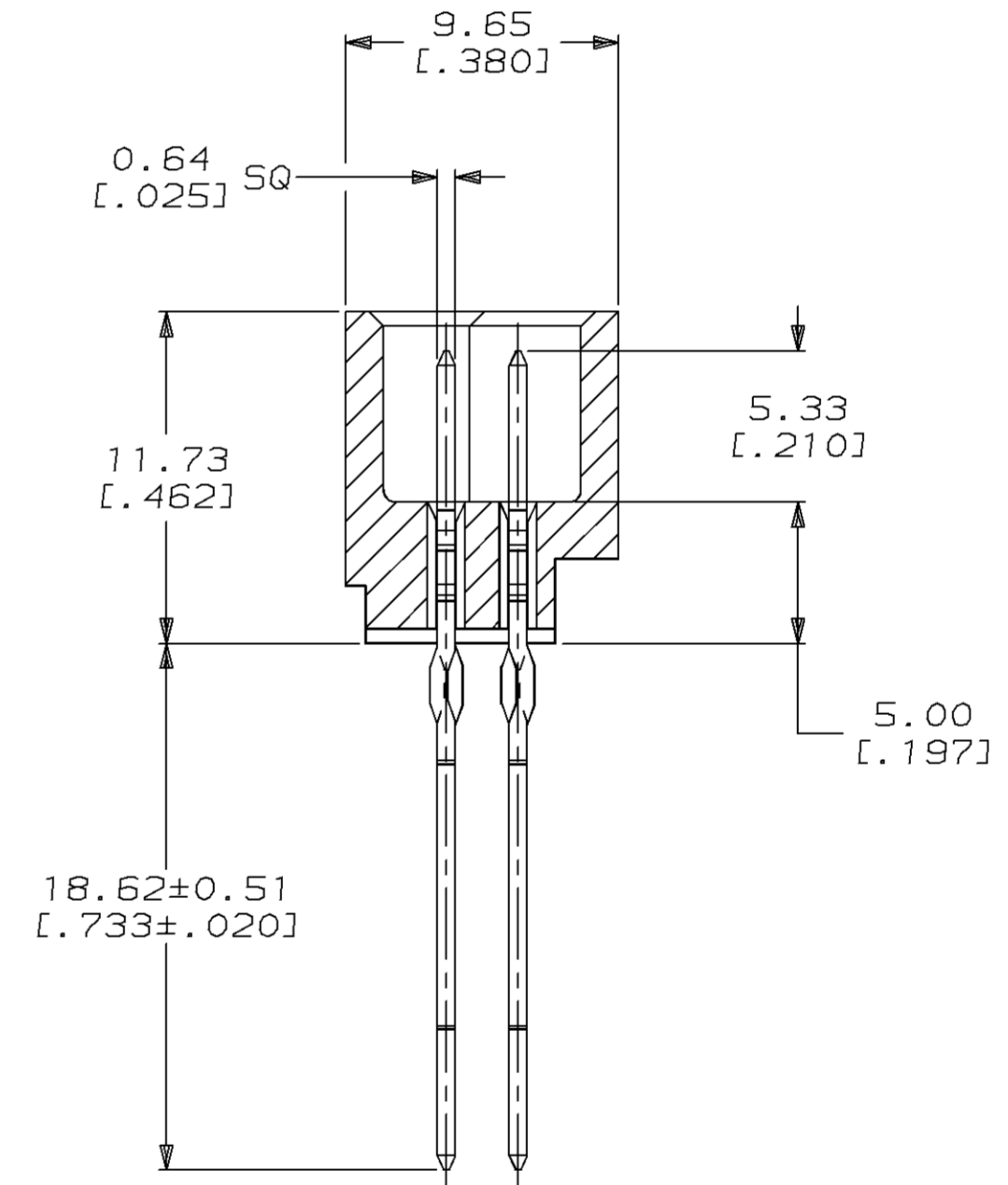
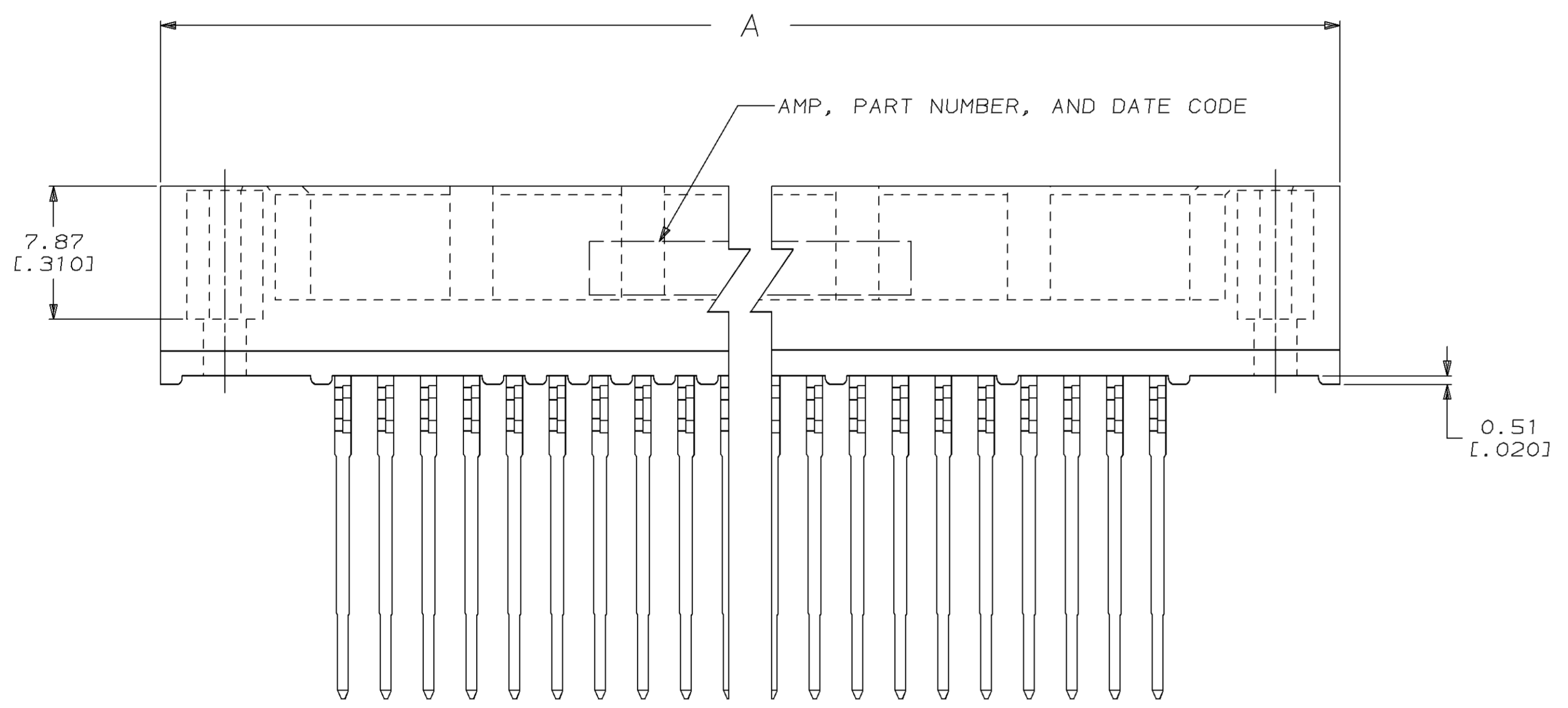
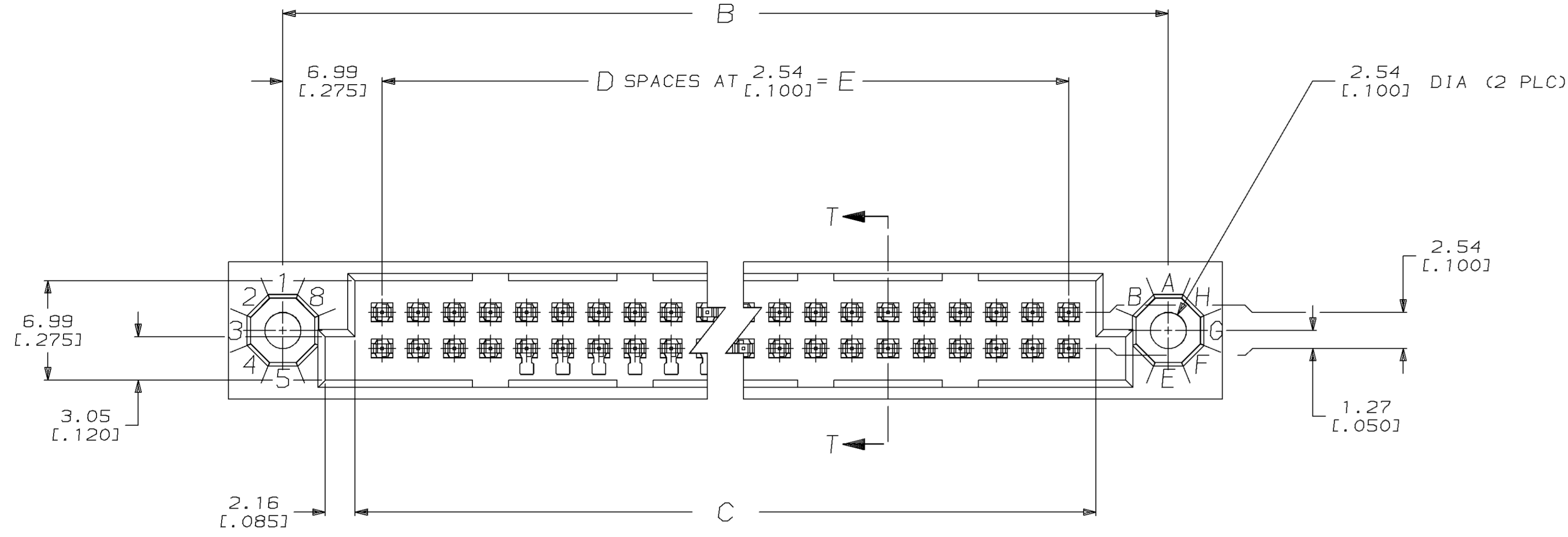


LOC	DIST	P	F	ZONE	LTR	DESCRIPTION	DATE	APPD
AD	25							
					E	ECN AD4218	03/23/90	RKS
					F	ECN.0010-1068-93	8-28-93	GES
					G	REVISED PER ECN 0010-0841-93 T.S.	2-1-94	GS
					H	ECN. 0010-0034-94	5/11/94	GES



RECOMMENDED P.C. BOARD LAYOUT



DO NOT SCALE PRINT. UNLESS SPECIFIED DIMENSIONS IN mm [INCHES] TOLERANCES ON:		DR 03/23/90 R.K. SEIFRIED		PART NO	
2 PLC DEC ±	-	CHK F. KIBLER 8-17-92		AMP AMP Incorporated Harrisburg, PA 17105-3608	
3 PLC DEC ±	0.13 [.005]	APPD DAVE HOFFMAN 8-17-92			
ANGLES ±	-	APPD 8-17-92 DAVE HOFFMAN		NAME	
MATERIAL		PRODUCT SPEC		HDI, 2 ROW, PIN ASSEMBLY, 18.62 [.733] LONG ACTION PINS, .00076 [.000030] GOLD PLATE	
FINISH		APPLICATION SPEC		SIZE	CAGE CODE
				D	00779
				SCALE	DRAWING NO
				4:1	532429
					SHEET 1 OF 2

LOC	DIST	P	F	ZONE	LTR	DESCRIPTION	DATE	APPD
AD	25				H	SEE SHEET 1	-	-

- ① HOUSING MATERIAL: THERMOPLASTIC, COLOR-NATURAL.
- ② CONTACT MATERIAL: PHOSPHOR BRONZE.
- ③ CONTACT FINISH: .00127-.00254 [.000050-.000100] NICKEL UNDERPLATE ALL OVER; .000762 [.000030] GOLD PLATE IN CONTACT AREA, TIN-LEAD PLATED POSTS.
- ④ ACTION PIN POSTS REQUIRE 2.36 [.093] MIN THICK P.C. BOARD. RECOMMENDED P.C. BOARD HOLES ARE 1.151 [.0453] DIA PLATED THRU WITH 0.025-0.076 [.001-.003] COPPER, WITH 0.0076 [.0003] MIN TIN-LEAD PLATING; FINISHED HOLE AFTER PLATING 0.94-1.09 [.037-.043] DIA.
- 5. DIMENSIONS IN BRACKETS ARE IN INCHES.
- ⑥ PART NUMBER IS OBSOLETE.

⑥							1-532429-9
⑥							1-532429-8
⑥							1-532429-7
⑥							1-532429-6
⑥							1-532429-5
⑥	187.96 [7.400]	74	191.77 [7.550]	201.93 [7.950]	209.55 [8.250]	150	1-532429-4
⑥	175.26 [6.900]	69	179.07 [7.050]	189.23 [7.450]	196.85 [7.750]	140	1-532429-3
⑥							1-532429-2
⑥							1-532429-1
⑥							1-532429-0
⑥							532429-9
⑥							532429-8
⑥							532429-7
⑥	86.36 [3.400]	34	90.17 [3.550]	100.33 [3.950]	107.95 [4.250]	70	532429-6
⑥	73.66 [2.900]	29	77.47 [3.050]	87.63 [3.450]	95.25 [3.750]	60	532429-5
⑥							532429-4
⑥							532429-3
⑥							532429-2
⑥							532429-1

E	D	C	B	A	POSN	PART NUMBER	
DO NOT SCALE PRINT. UNLESS SPECIFIED DIMENSIONS IN mm [INCHES] TOLERANCES ON: 1 PLC DEC ± - 2 PLC DEC ± - 3 PLC DEC ± 0.13 [.005] ANGLES ± -		DR 03/23/90 R.K. SEIFRIED CHK F. KIBLER 8-17-92 APPD DAVE HOFFMAN 8-17-92 APPD DAVE HOFFMAN 8-17-92 PRODUCT SPEC -		AMP AMP Incorporated Harrisburg, PA 17105-3608			
MATERIAL ① ②		NAME HDI, 2 ROW, PIN ASSEMBLY, 18.62 [.733] LONG ACTION PINS, .00076 [.000030] GOLD PLATE		DRAWING NO 532429			
FINISH ③		APPLICATION SPEC -		SIZE D	CAGE CODE 00779	SHEET 2 OF 2	
WEIGHT		SCALE 4:1		SHEET 2 OF 2			

