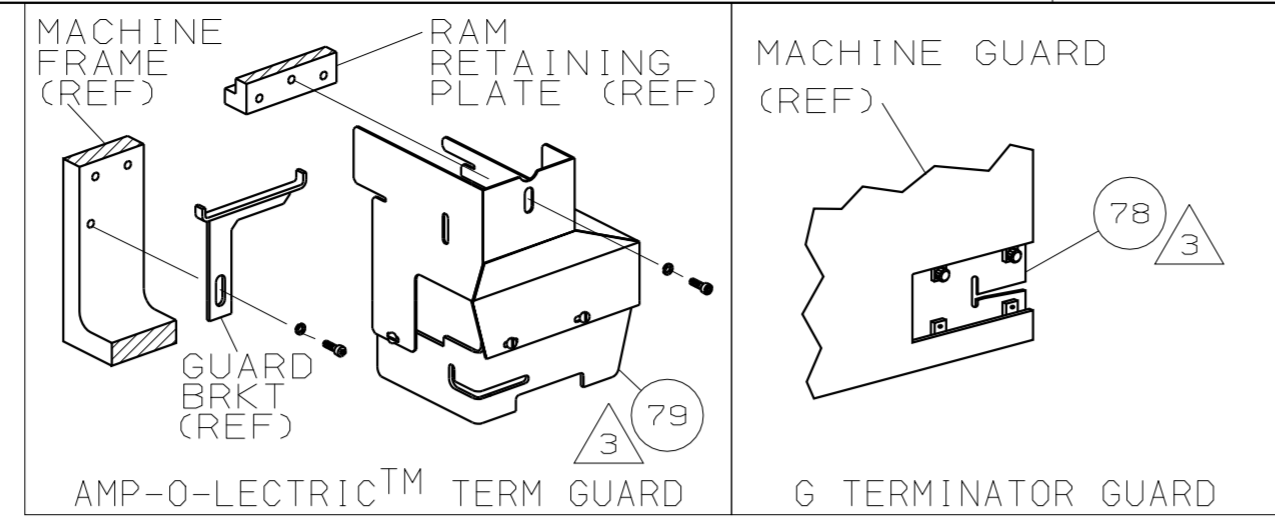
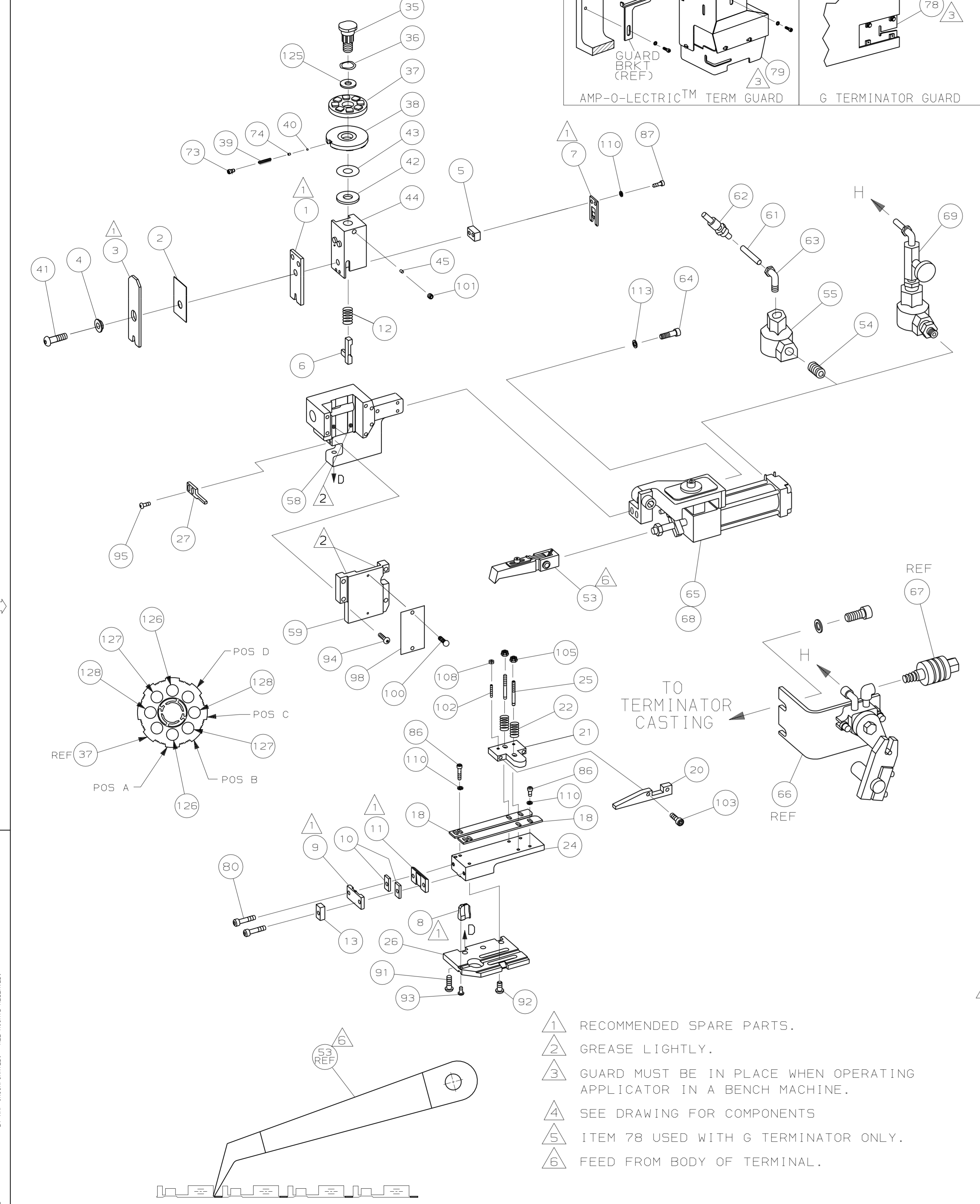


PART NUMBER	REV	FIRST USED
1852143-1	A	122500-1
1852143-2	A	565435-5



TERMINAL NAME: DOUILLE DOUBLE A SERTIR						
1544516		AMP TERMINAL		AMP CRIMP SPECS		
PAD LTR	CRIMP HEIGHT	WIRE SIZE				
A	1.43 ±0.05mm [.056 ±.002]	1 mm <sup>2</sup>				
B	1.37 ±0.05mm [.054 ±.002]	0.6 mm <sup>2</sup>				
C	1.28 ±0.05mm [.050 ±.002]	0.35 mm <sup>2</sup>				
D	NOT	USED				
CRIMP	SIZE	TYPE	RANGE			
WIRE	2.29mm [.090]	F	0.35mm <sup>2</sup> -1mm <sup>2</sup>			
INSUL	3.6mm [.142]	F	Ø1.3-2MM			
WIRE STRIP LENGTH	TERM APPL	SPEC	FEED	APPL INSTRUCTION	SET UP GAGE	LAYOUT
5-6mm	NONE		25.9mm	408-8039	458638-1	L1852143

-1	LEADMAKER & BENCH MODEL G	AIR FEED	
-2	BENCH MODEL K	AIR FEED	



- 1 RECOMMENDED SPARE PARTS.
- 2 GREASE LIGHTLY.
- 3 GUARD MUST BE IN PLACE WHEN OPERATING APPLICATOR IN A BENCH MACHINE.
- 4 SEE DRAWING FOR COMPONENTS
- 5 ITEM 78 USED WITH G TERMINATOR ONLY.
- 6 FEED FROM BODY OF TERMINAL.

QTY	REV	U/M	DWG SIZE	PART NO	DESCRIPTION	ITEM NO
2	2	-	C	4-354779-1	PIN, WIRE DISC (.3195)C	129
2	2	-	C	3-354779-2	PIN, WIRE DISC (.3150)B	127
2	2	-	C	2-354779-8	PIN, WIRE DISC (.3130)A	126
1	1	-	A	986950-1	WASHER, FLAT PRECISION	125
1	1	-	A	217238-1	GENERAL INSTRUCTION PACKAGE	124
1	1	-	-	4088039	EF APPL INST 408-8039	123
						122
						121
						120
						119
						118
						117
						116
						115
						114
2	2	-	A	21024-5	WASHER, LOCK (#10) AIR ASSY	113
						112
						111
6	6	-	A	21024-4	WASHER, LOCK (NO.8) SHEAR BL	110
						109
2	2	-	A	21018-4	NUT, HEX (4-40) DRAG	108
						107
						106
2	2	-	A	21022-2	NUT, HEX SL (8-32) DRAG STUD	105
						104
2	2	-	A	1-21000-3	SCR, SHC (4-40x.25) DRAG ARM	103
2	2	-	A	4-21078-8	SCR, SKT SET (4-40x.75) DRAG	102
1	1	-	A	21009-2	SCR, SKT SET (1/4-20x.25) RAM	101
2	2	-	A	21017-2	SCR, DRIVE (#2x.19) ID PLATE	100
						99
1	1	-	B	461264-1	PLATE, IDENTIFICATION	98
						97
						96
2	2	-	A	2-21002-2	SCR, BHC (8-32x.50) STRIPPER	95
4	4	-	A	2-21002-9	SCR, BHC (10-32x.75) CAP	94
1	1	-	A	22733-8	SCR, BHC (8-32x.38 LW) ANVIL	93
4	4	-	A	3-21002-3	SCR, BHC (1/4-20x.50) ST GD PL	92
3	3	-	A	2-22733-8	SCR, BHC (1/4-20x.62) H5G	91
						90
						89
						88
						87
2	2	-	A	2-21000-9	SCR, SHC (8-32x.75) SLUG BLADE	87
4	4	-	A	2-21000-6	SCR, SHC (8-32x.38) STRIP GUIDE	86
						85
						84
						83
						82
						81
2	2	-	A	3-21002-0	SCR, BHC (10-32x.88) SHEAR PL	80
1	-	-	A	455750-7	GUARD ASSY	79
-	REF	-	A	679532-1	INSERT, GUARD	78
						77
						76
						75
1	1	-	A	690603-1	SPRING, ASSIST	74
1	1	-	A	23030-1	SCR, SKT CAP (6-32x.25) CP DSC	73
						72
						71

QTY	REV	U/M	DWG SIZE	PART NO	DESCRIPTION	ITEM NO
1	1	-	C	692655-5	AIR FEED VALVE ASSY	70
1	1	-	C	2-460277-0	AIR FEED ASSY (2 INCH)	69
REF	-	-	A	24042-2	VALVE, SHUT OFF	67
REF	-	-	C	692655-6	AIR FEED VALVE ASSY	66
-	1	-	B	2-460277-6	AIR FEED ASSY (2 INCH)	65
2	2	-	A	4-21000-0	SCR, SHC (10-32x1.25) AIR ASSY	64
-	1	-	A	980285-2	ELBOW, SWIVEL 1/8 NPT - 1/4 T	63
-	1	-	A	23238-1	QUICK DISCONNECT	62
-	12.00	IN	A	27319-4	TUBING, POLY-FLO Ø.25	61
						60
1	1	-	C	454220-1	CAP, RAM	59
1	1	-	D	453736-1	HOUSING	58
						57
						56
-	1	-	A	22374-7	VALVE, QUICK EXHAUST	55
-	1	-	A	22304-1	NIPPLE, HEX	54
1	1	-	B	460680-1	FEED FINGER ASSY	53
						52
						51
						50
						49
						48
						47
						46
1	1	-	A	690191-1	PLUG, NYLON	45
1	1	-	C	455674-1	RAM	44
1	1	-	A	690125-1	WASHER, LAMINATED	43
1	1	-	A	690124-1	WASHER, RAM	42
1	1	-	A	7-21002-9	BOLT, CRIMPER (5/16-24x1.00)	41
1	1	-	A	23241-6	BALL, STEEL	40
1	1	-	A	690170-1	SPRING, COMPRESSION	39
1	1	-	C	690142-1	DISC, INSULATION	38
1	1	-	D	354777-1	DISC, WIRE	37
1	1	-	A	22480-5	WASHER, SPRING	36
1	1	-	B	690212-1	POST, RAM	35
						34
						33
						32
						31
						30
						29
						28
1	1	-	A	690455-3	STRIPPER	27
1	1	-	D	455676-1	PLATE, BASE	26
2	2	-	A	22354-8	DRAG, STUD	25
1	1	-	B	455678-1	PLATE, STRIP GUIDE	24
						23
2	2	-	A	22281-9	SPRING, DRAG	22
1	1	-	A3	464451-1	ARM, STOCK DRAG	21
1	1	-	A3	1-464452-1	DRAG, STOCK	20
						19
2	2	-	C	2-454204-2	GUIDE, STRIP (FRONT)	18
						17
						16
						15
						14
1	1	-	C	1-690481-2	SPACER, HOLD DOWN	13
1	1	-	A	23846-1	SPRING, HOLD DOWN	12
1	1	-	B	240644-3	PLATE, REAR SHEAR	11
2	2	-	C	4-240645-7	SPACER, SHEAR PLATE	10
1	1	-	B	1-240642-2	PLATE, FRONT SHEAR	9
1	1	-	D	8-356038-6	ANVIL	8
1	1	-	B	7-240651-9	BLADE, SLUG	7
1	1	-	D	455892-8	HOLD DOWN, TERMINAL	6
1	1	-	C	6-240641-2	SPACER, SLUG BLADE	5
1	1	-	B	238009-8	SPACER, BLOCK CRIMPER	4
1	1	-	C	7-1213077-3	CRIMPER, INSULATION	3
1	1	-	B	455888-6	SPACER, CRIMPER	2
1	1	-	C	1-456406-6	CRIMPER, WIRE	1

QTY	REV	U/M	DWG SIZE	PART NO	DESCRIPTION	ITEM NO
-2	-1	U/M	DWG SIZE	PART NO	DESCRIPTION	ITEM NO

QTY	REV	U/M	DWG SIZE	PART NO	DESCRIPTION	ITEM NO
-2	-1	U/M	DWG SIZE	PART NO	DESCRIPTION	ITEM NO

LOC A  
DIST 66

DIMENSIONS IN INCHES. DO NOT SCALE PRINT. TOLERANCES UNLESS OTHERWISE SPECIFIED:  
 2 PLC DEC ±.25  
 3 PLC DEC ±.  
 4 PLC DEC ±.  
 ANGLES ±.  
 SURF TEXTURE: ✓  
 REMOVE BURRS, BREAK SHARP EDGES R.015 MAX

MATL - HT TR - FIN -  
 DR 10NOV05 APP 10NOV05 T.ELBIN  
 R. KNEPPER  
 CHK 13DEC05 REL 13DEC05 G.BAILEY R.KNEPPER  
**AMP** Tyco Electronics Harrisburg, PA 17105-3608

NAME END FEED HDM APPLICATOR MACHINE REF MINI APPL  
 SCALE - DWG NO 1852143 SHEET 1 OF 1 REV A

CAGE CODE 00779 CUSTOMER AND ASSEMBLY DRAWING

THIS DRAWING IS A CONTROLLED DOCUMENT.

THIS DRAWING IS UNCLASSIFIED  
 DECEMBER 13, 2005  
 RELEASED FOR PUBLICATION  
 BY AMP INCORPORATED. ALL RIGHTS RESERVED.  
 COPYRIGHT 2005