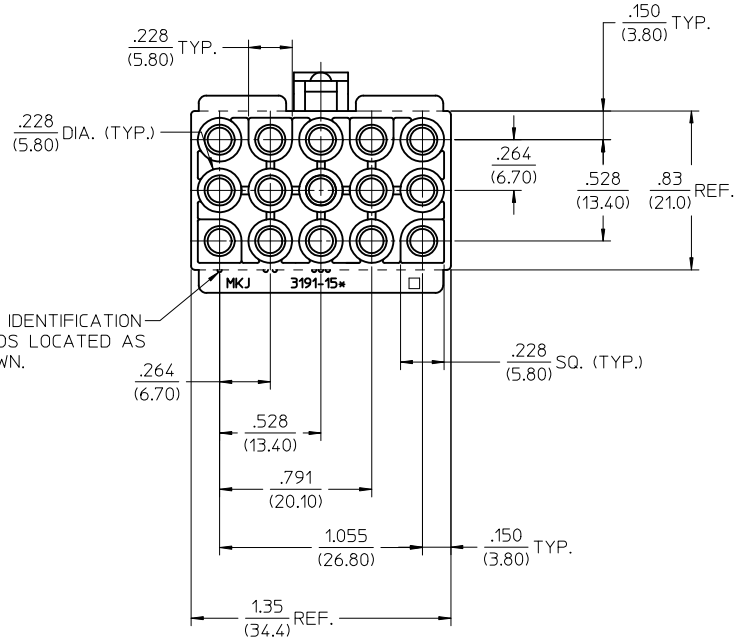
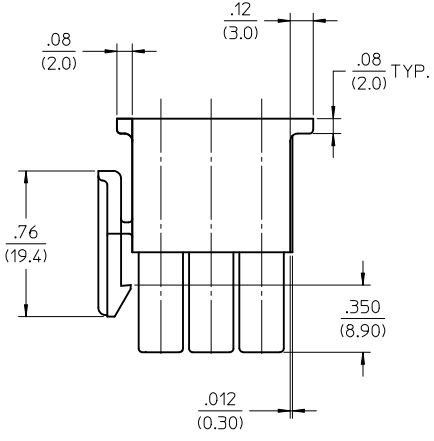
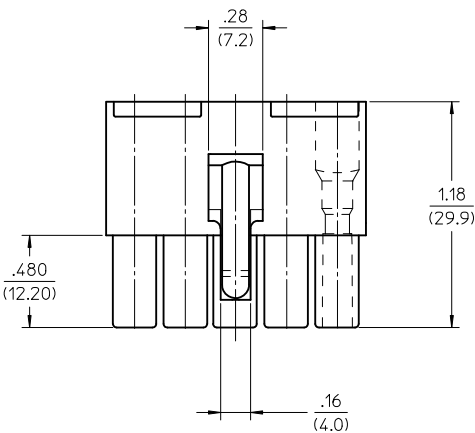
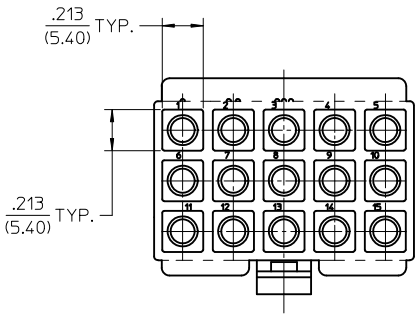


PART NO.	ENG. NO.	MATERIAL
19-09-1159	SD-3191-15R1	NYLON TYPE, 6/6 94V-0
19-09-1156	SD-3191-15R1-201	MOD. NYLON TYPE, 6/6 94V-0, WELLAMID FR22-FN
NOT TOOLED	SDX-3191-15R1-200	MOD. NYLON TYPE, 6/6 94V-0, MONSANTO M340
NOT TOOLED	SDX-3191-15R1-202	MOD. NYLON 6/6 94V-0 DUPONT FE-3016
19-09-3151	SD-3191-15R1-203	ASAHI LEONA FR-200



SIDE IDENTIFICATION BEADS LOCATED AS SHOWN.

<b>REDRAWN</b> EC NO: UCP2011-2181 DRWN: C STEWART 2011/03/10 CHKD: AELHAG 2012/03/28 APPR: FSMITH 2012/04/25	QUALITY SYMBOLS ▽=0 ▽=0 ▽=0	GENERAL TOLERANCES (UNLESS SPECIFIED) <table border="1"> <thead> <tr> <th></th> <th>mm</th> <th>INCH</th> </tr> </thead> <tbody> <tr> <td>4 PLACES</td> <td>± .15</td> <td>± .005</td> </tr> <tr> <td>3 PLACES</td> <td>± .10</td> <td>± .004</td> </tr> <tr> <td>2 PLACES</td> <td>± 0.25</td> <td>± .010</td> </tr> <tr> <td>1 PLACE</td> <td>± 0.36</td> <td>± .014</td> </tr> </tbody> </table>		mm	INCH	4 PLACES	± .15	± .005	3 PLACES	± .10	± .004	2 PLACES	± 0.25	± .010	1 PLACE	± 0.36	± .014	DIMENSION STYLE <b>IN/MM</b>	SCALE <b>2:1</b>	DESIGN UNITS <b>INCH</b>	THIRD ANGLE PROJECTION
		mm	INCH																		
	4 PLACES	± .15	± .005																		
	3 PLACES	± .10	± .004																		
2 PLACES	± 0.25	± .010																			
1 PLACE	± 0.36	± .014																			
DRAFT WHERE APPLICABLE MUST REMAIN WITHIN DIMENSIONS		DRAWN BY C STEWART	DATE 2011/03/10	TITLE <b>HOUSING RECEPTACLE 15-CIRCUIT (UNIVERSAL)</b>																	
MATERIAL NO. <b>SEE CHART</b>		CHECKED BY AELHAG	DATE 2012/03/28	MOLEX INCORPORATED																	
SIZE <b>C</b>		APPROVED BY FSMITH	DATE 2012/04/25	DOCUMENT NO. <b>SD-3191-15R1-*</b>	SHEET NO. <b>1 OF 1</b>																