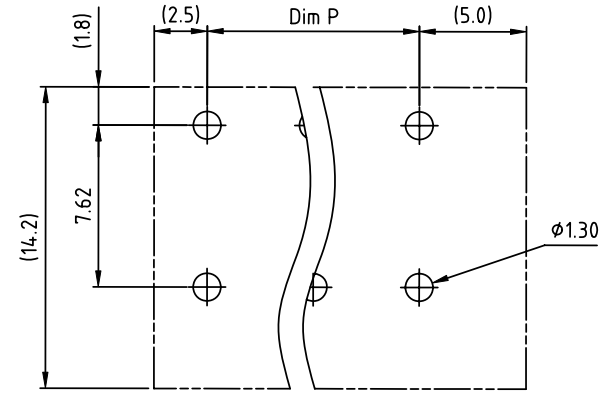
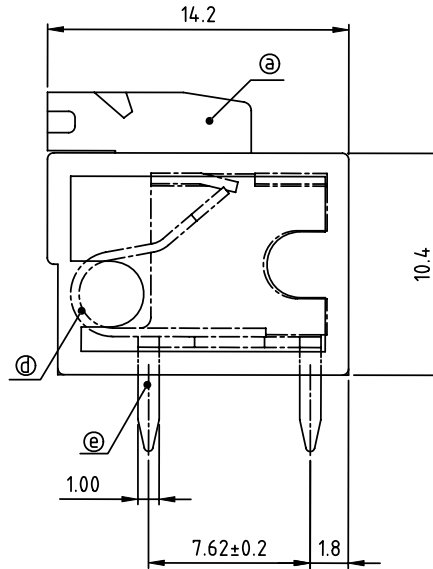
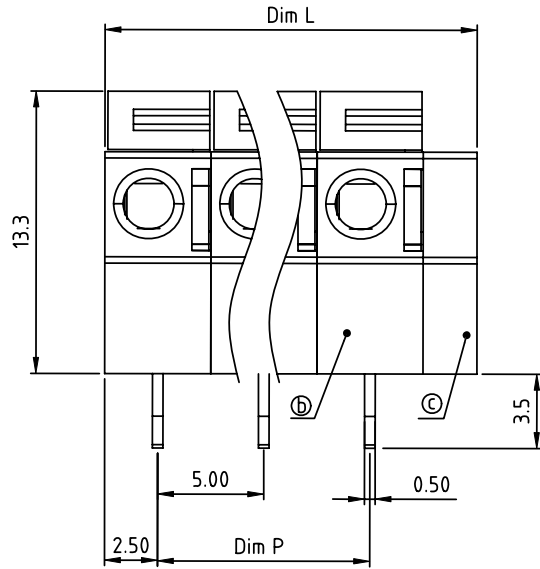


PRODUCT NUMBER	PITCH
HAxx31x000J0G	5.00 mm



RECOMMENDED P.C.B LAYOUT
TOP VIEW

Material:

- Item①Lever: Thermoplastic (UL94V-0)Orange (RAL2011/P)
- Item②Terminal body: Thermoplastic (UL94V-0)
- Item③cover:Thermoplastic (UL94V-0)
- Item④Spring clamp: Stainless steel
- Item⑤contact pin: Brass.Tin plated

Electrical cULus/VDE

- Voltage rating: 300VAC/250VAC
- Current rating: 10A/10A
- Wire range: 0.75-1.5mm²
- Solid wire(AWG): 14-24
- Stranded wire(AWG): 14-24
- Wire strip length: 9-10mm
- Withstanding Voltage: 1.6KV/2KV
- Operating temperature: -40°C to +115°C
- Soldering temperature: 260°C±5°C/5 Sec
- Safety Approval:

N=Number of poles
Dim L=Nx5.0+2.54
Dim P=(N-1)x5.0

POLES	Dim L	Dim P
2-6p	±0.15	±0.10
7-12p	±0.20	±0.20
13-18p	±0.30	±0.25
19-24p	±0.40	±0.30

PART NO.: HA xx 31 x 0 00J0 G

- End stackable 0
- No. of poles 2
- Color 3 Black (RAL9005)
- 02 2 poles 3 Red (RAL3001/D)
- 03 3 poles 4 Orange(RAL2011/P)
- 5 Yellow(RAL1018/A)
- 24 24 poles 6 Green(RAL6018/T)
- 8 Blue (RAL5015/A)
- 9 Grey(RAL7004/P)
- C White(RAL1102)
- C Multiple colors
- RoHS compliant (lead<4%) In copper Alloy

mat'l. code		surface ASME Y14.5	tolerance ASME Y14.5	projection	product family	
ltr ecn no dr date		tolerances unless otherwise specified			TERMINAL BLOCK	
		angles	X.±0.5	MM	title	
		in	X.X±0.3		TERMINAL BLOCK	
		X'±1"	X.XX±0.1	scale	SPRING CLAMP,180D WIRE INLET	
		dr	EVIN ZHONG 052314		dwg no	
		enrg	EVIN ZHONG 052314		sheet 1 of 1	
		chr	HANKE FENG 052314		size	
		appd	SHI JUN 052314		A4	
sheet index	revision sheet	A	1	type CUSTOMER Drawing		