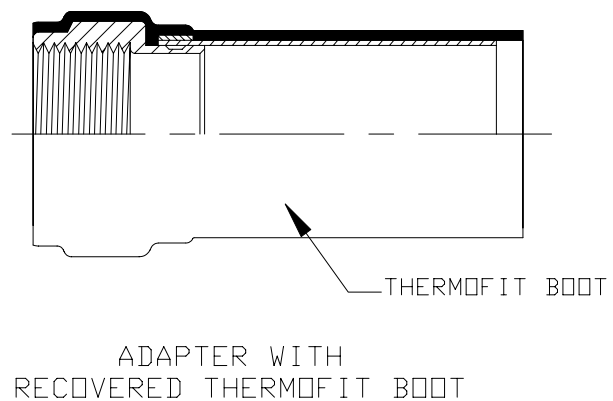
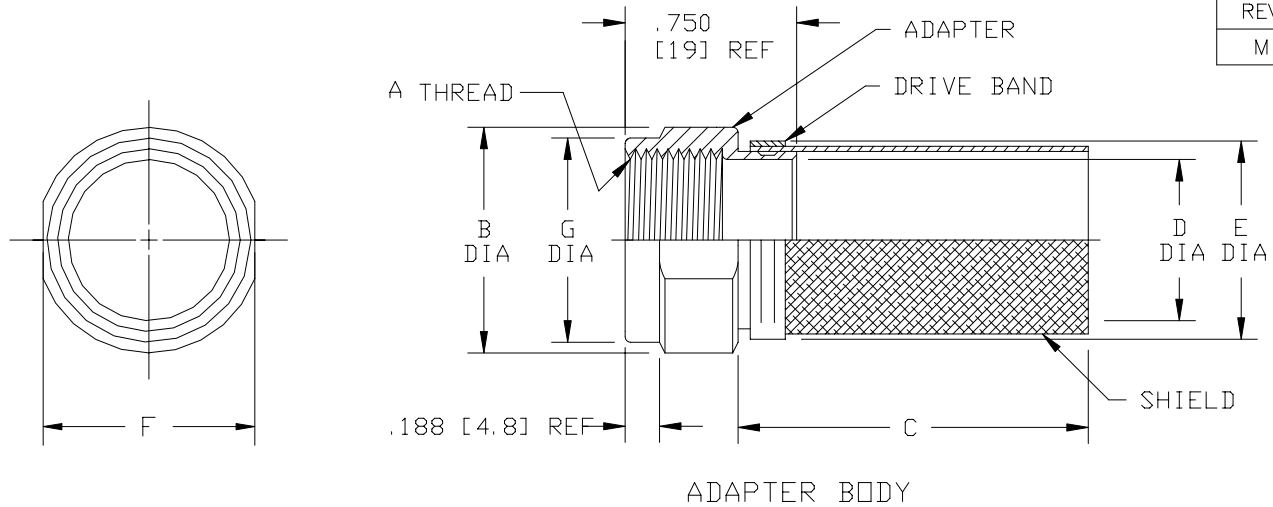


REVISION		
REV	DESCRIPTION	DATE
M	REVISED PER DCR NO. R030232	14MAY2003



PART NO.	SHELL SIZE		A THREAD, R.H. CLASS 2B	B DIA ±.015 [.381]	C MIN	D DIA ±.020 [.51]	E DIA REF.	F ±.015 [.38]	RAYCHEM BOOT PART NUMBER	G DIA +.000 [0] -.009 [.23]
	COM'L	MIL								
LSS 81-10A	10	B	.625 - 28 UN	.750 [19]	5.000 [127]	.500 [12.7]	.700 [17.8]	.703 [17.6]	202D221-4-26	.684 [17]
LSS 81-14A	14	D	.875 - 28 UN	1.000 [25]	3.000 [76]	.750 [12.7]	.975 [25]	.953 [24]	202D232-4-26	.934 [24]
LSS 81-16A	16	E	1.000 - 28 UN	1.125 [26]	4.500 [114]	.875 [22]	1.100 [28]	1.077 [27]	202D242-4-26	1.060 [28]

NOTES:

- ASSEMBLY IDENTIFICATION PER MIL-STD-130b.
- MATERIAL:
ADAPTER: QQ-A-225/3, T3 OR QQ-A-225/6, T4.
DRIVE BAND: QQ-A-225/8, T0.
SHIELD: TINNED COPPER 36 GAUGE PER A-A-59569 (QQ-B-575).
- FINISH:
ADAPTER: ELECTRO-TIN PER MIL-T-10727, TYPE I, .0003 INCH MINIMUM THICKNESS.
DRIVE BAND: CHEMFILM PER MIL-C-5541.
- ELECTROFORMED SHIELD ADAPTER/DRIVE BAND JOINT SHALL BE CAPABLE OF WITHSTANDING 200 POUND TENSILE PULL.
- THREADED ADAPTER SHALL CONTAIN THE LSS PART NUMBER.

If this document is printed it becomes uncontrolled.
Check for the latest revision.

SPECIFICATION CONTROL DRAWING

DRAWN U. NGUYEN	DATE 14MAY2003	tyco Electronics	Tyco Electronics Corporation 300 Constitution Drive Menlo Park, CA, USA 94025	Product Brand: Raychem
RPN	CAD FILE R030232	TITLE EMF SHIELD ADAPTER WITH THERMOFIT BOOT FOR MIL-C-81511, SERIES 3&4 CONNECTORS		
THIRD ANGLE PROJECTION		SIZE A	CODE IDENT. NO. 06090	DWG. NO. LSS 81-10A THRU LSS-81-16A
DO NOT SCALE THIS DRAWING			SHEET 1 OF 1	

UNLESS OTHERWISE SPECIFIED
DIMENSIONS ARE INCHES.
METRIC DIMENSIONS ARE IN
BRACKETS
DECIMAL TOLERANCES
.XXX ± .005 [0.13 mm]
.XX ± .01 [0.25 mm]
.X ± .1 [2.54 mm]
ANGLE TOLERANCE
.X ± 0.5 DEG.

THIS DRAWING AND THE INFORMATION SET FORTH HEREON ARE THE PROPERTY OF TYCO ELECTRONICS CORPORATION AND ARE TO BE HELD IN TRUST AND CONFIDENCE. PUBLICATION, DUPLICATION, DISCLOSURE OR USE FOR ANY PURPOSE NOT EXPRESSLY AUTHORIZED IN WRITING BY TYCO ELECTRONICS CORPORATION IS PROHIBITED.