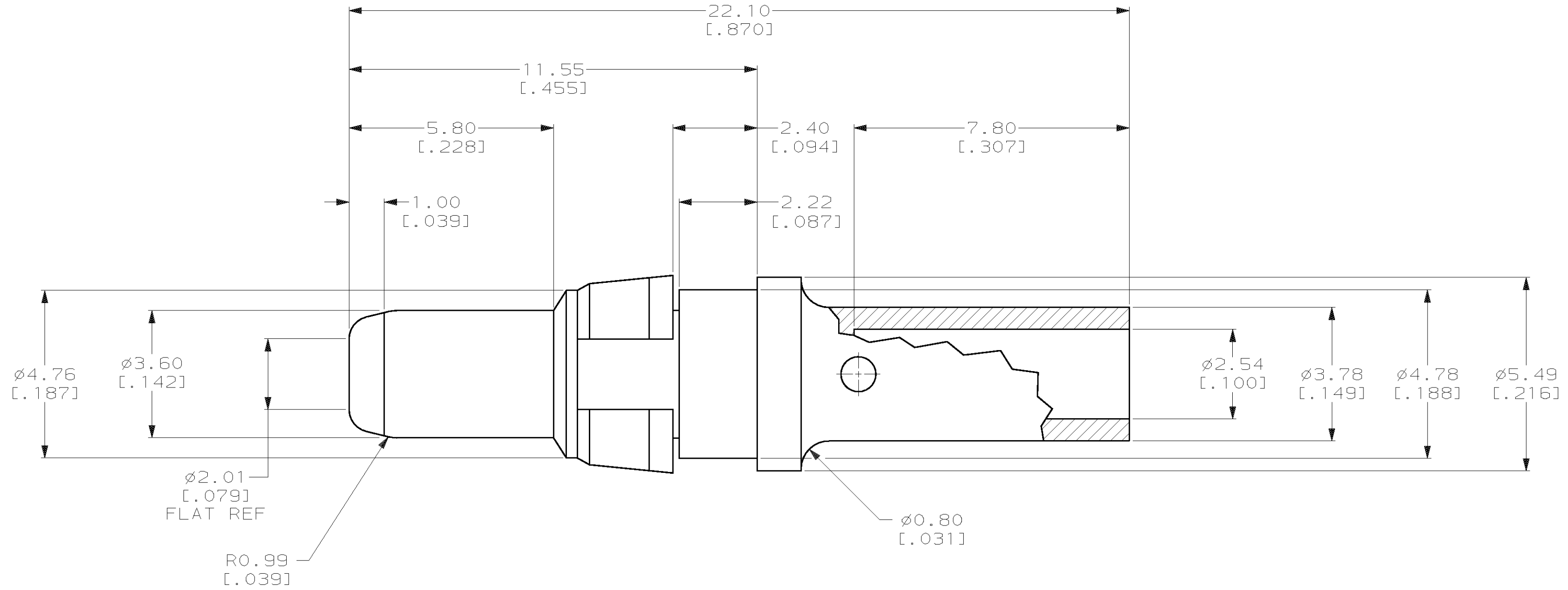


THIS DRAWING IS UNPUBLISHED. RELEASED FOR PUBLICATION
 BY AMP INCORPORATED. ALL RIGHTS RESERVED.

| LOC | DIST | REVISIONS | | | | | |
|-----|------|-----------|-----|-----------------------------|-----------|-----|------|
| | | P | LTR | DESCRIPTION | DATE | DWN | APVD |
| AD | 25 | | | | | | |
| | | C | | REDRAWN PER EC 0U1B-0034-00 | 22 MAR 00 | - | - |
| | | D | | REV PER EC 0U1B-0221-01 | 08 NOV 01 | BC | CR |



- 1 CONTACT: BRASS.
RETAINING RING: BERYLLIUM COPPER.
- 2 CONTACT: 0.76µm [.000030] MIN GOLD
OVER 1.27µm [.000050] MIN NICKEL.
- 3. WIRE BARREL WILL ACCEPT 12-14 AWG WIRE.
- 4. MATES WITH 148221-1.
- 5. RECOMMENDED CRIMPING TOOL: DANIELS TOOL
#M300-BT, POSITIONER PART NUMBER SP689,
SETTING #1, STRIP LENGTH 8.13 [.320].

148248-1
 PART NUMBER

| | | | | | |
|--|--------------|------------------|------------|-----------|---|
| THIS DRAWING IS A CONTROLLED DOCUMENT. | | DWN | B. CARBO | 22 MAR 00 | AMP Incorporated Harrisburg, PA 17105-3608 |
| DIMENSIONS: | | CHK | C. RICHARD | 22 MAR 00 | |
| mm [INCHES] | | APVD | C. RICHARD | 22 MAR 00 | |
| | | PRODUCT SPEC | | | |
| TOLERANCES UNLESS OTHERWISE SPECIFIED: | | APPLICATION SPEC | | | NAME |
| 0 PLC | ±- | | | | POWER CONTACT, |
| 1 PLC | ±- | | | | MALE, CRIMP, 12-14 |
| 2 PLC | ±0.13 [.005] | | | | AWG, (20 AMP) |
| 3 PLC | ±- | | | | SIZE |
| 4 PLC | ±- | | | | CAGE CODE |
| ANGLES | ±- | | | | DRAWING NO |
| MATERIAL | 1 | FINISH | | 2 | RESTRICTED TO |
| | | | | | |
| | | WEIGHT | | - | |
| | | CUSTOMER DRAWING | | | |
| | | SCALE | | 10:1 | |
| | | SHEET | | 1 OF 1 | |
| | | REV | | D | |