

SPECIFICATIONS:

ELECTRICAL:

INSULATOR RESISTANCE: 5 G OHMS Min.
 DIELECTRIC WITHSTANDING: 1,000VAC r.m.s.
 OPERATING TEMPERATURE: -55° C ~ +125° C
 POWER CONTACT RESISTANCE: 1.0 Milliohms Max.
 SIGNAL CONTACT RESISTANCE: 2.7 Milliohms Max.
 POWER PINS: 40 AMPS
 SIGNAL PINS: 5 AMPS

MECHANICAL:

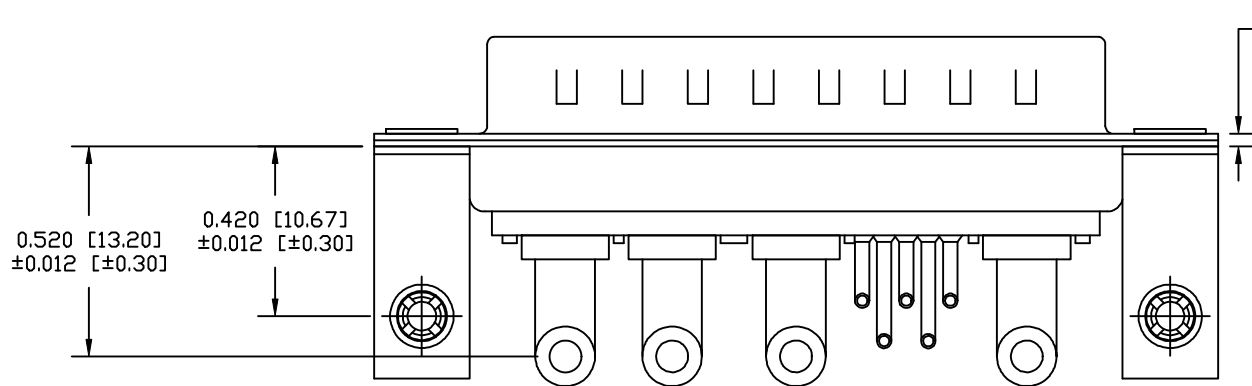
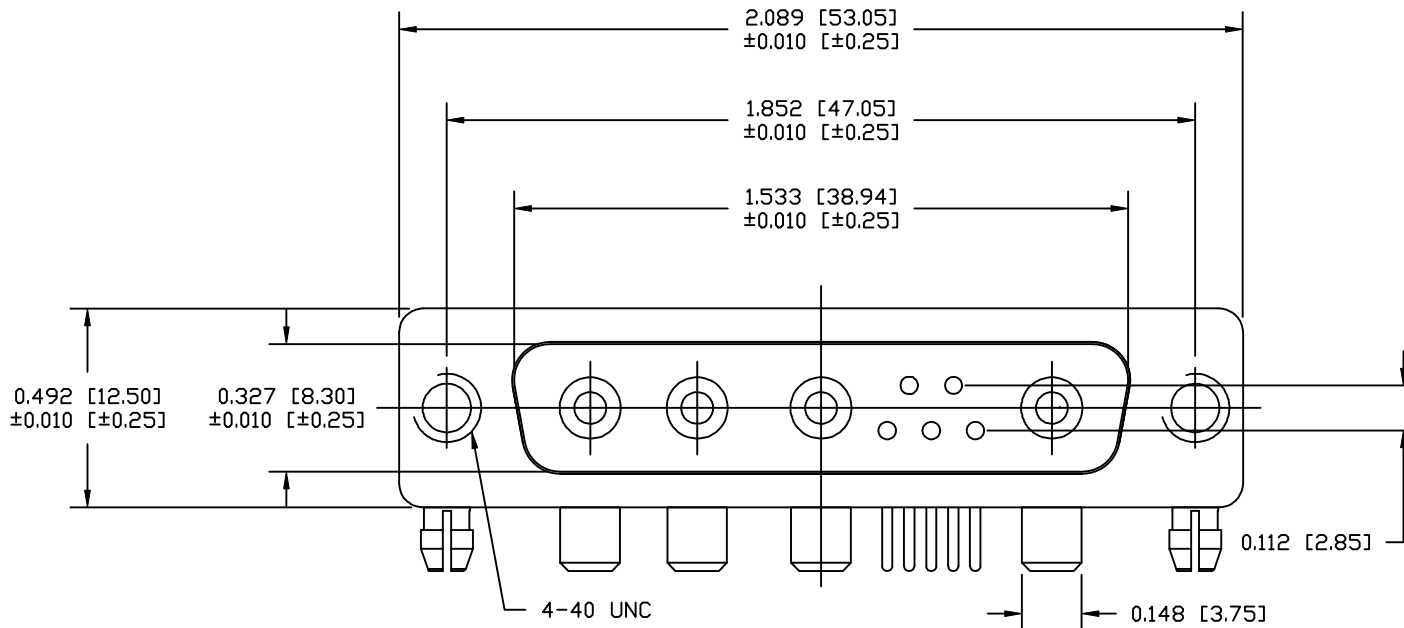
CONTACT INSERTION FORCE: 4.5 Kg Max.
 CONTACT SEPARATOR FORCE: 0.3Kg Min.

MATERIALS:

CONTACTS: COPPER ALLOY
 INSULATOR: PBT UL94V-0 RATED, BLK 230°C PROCESS TEMP.
 SHELL: STEEL
 BOARD LOCK: BRASS, NICKEL PLATED
 CINCHNUT: BRASS, NICKEL PLATED
 BRACKET: STEEL, NICKEL PLATED
 SEAL: F08 FLEXIBLE ADHESIVE

FINISH:

SHELL: NICKEL
 CONTACTS: FULL GOLD FLASH



684S9W4103L461

46 = 4-40 INSERTS / BOARD LOCKS

MEETS IP67 STANDARDS

(SEE PAGE 3 FOR SEALING DETAILS)

DO NOT SCALE FROM DRAWING



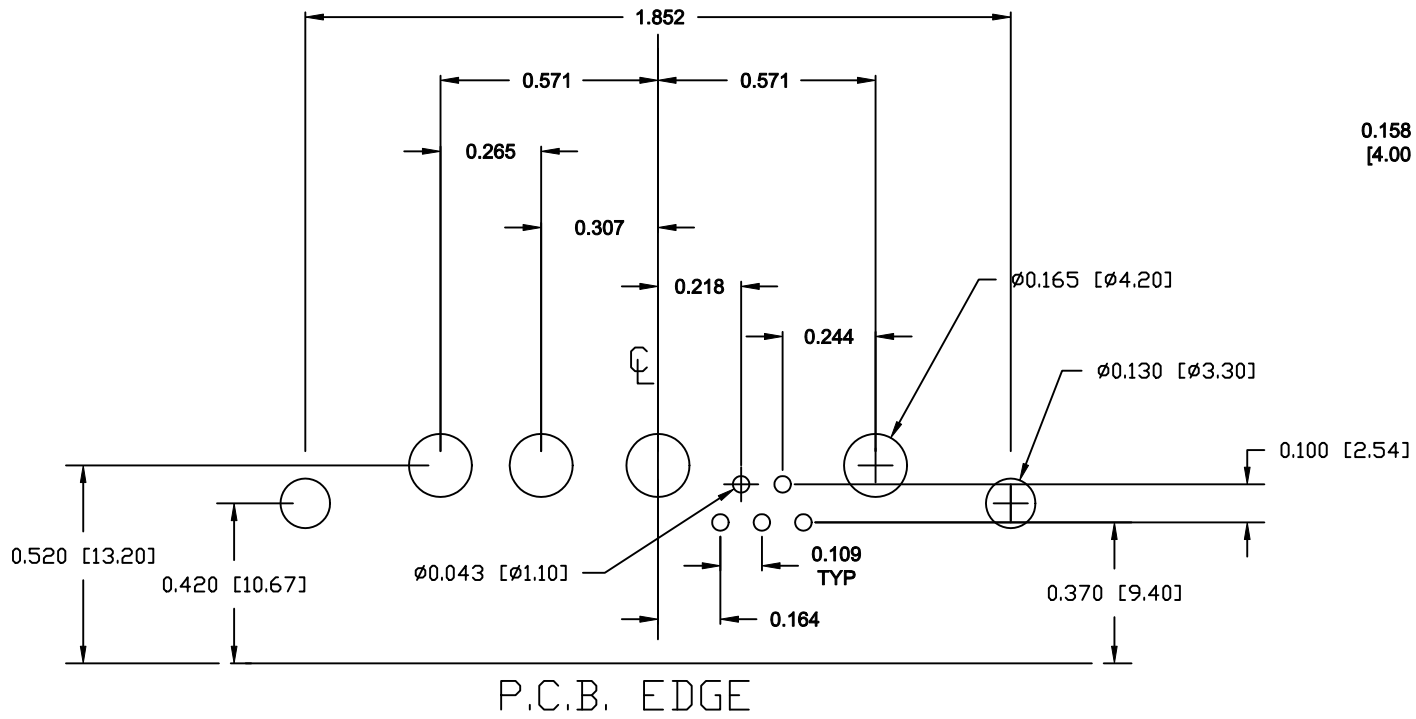
THESE DRAWINGS AND SPECIFICATIONS ARE THE PROPERTY OF NorComp AND SHALL NOT BE REPRODUCED, COPIED OR USED AS THE BASIS FOR THE MANUFACTURE OF SALE OF APPARATUS WITHOUT WRITTEN PERMISSION.

DRAWN: M. SIGMON		DATE: 08-06-12	
CHECKED:		DATE:	
SCALE: N.T.S.	SHEET 1	OF 3	REV 3
DWG NO. 684S9W4103L461			

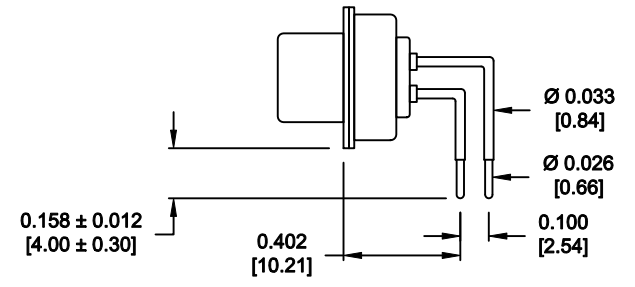
RoHS COMPLIANT

NorComp

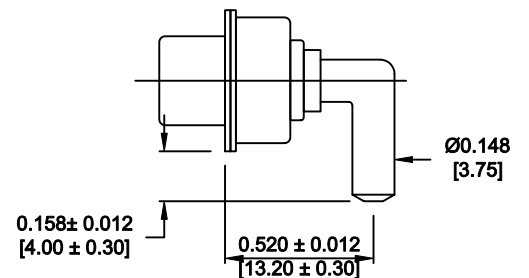
**NOTE:
POWER CONTACTS COME
PRE-LOADED INTO INSULATORS**



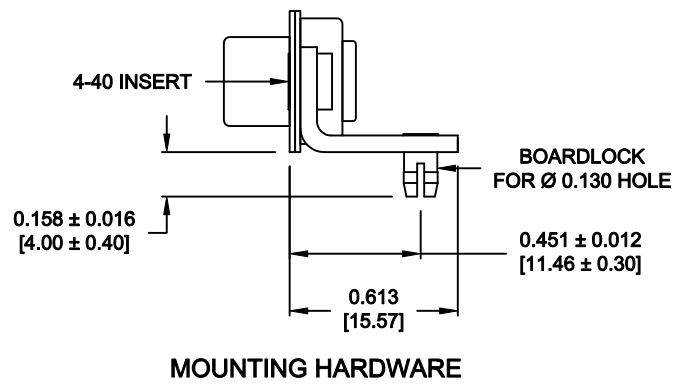
P.C.B. EDGE



SIGNAL CONTACTS



40 AMP POWER CONTACT

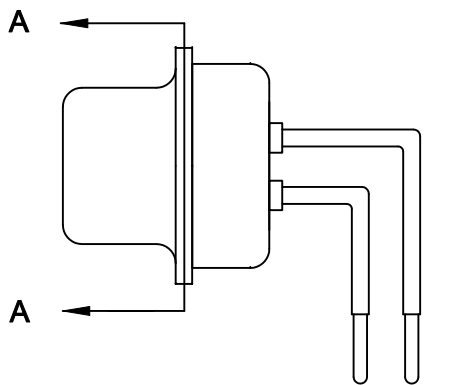


MOUNTING HARDWARE

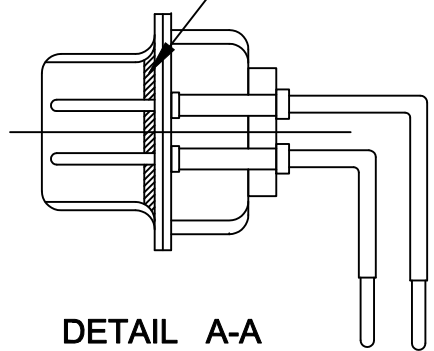
DO NOT SCALE FROM DRAWING

	THESE DRAWINGS AND SPECIFICATIONS ARE THE PROPERTY OF NorComp AND SHALL NOT BE REPRODUCED, COPIED OR USED AS THE BASIS FOR THE MANUFACTURE OF SALE OF APPARATUS WITHOUT WRITTEN PERMISSION.		DRAWN: M. SIGMON	DATE: 08-06-12
			CHECKED:	DATE:
<h1>NorComp</h1>		SCALE: N.T.S.	SHEET 2 OF 3	REV 3
		DWG NO. 684S9W4103L461		

RoHS COMPLIANT




FRONT SEAL APPLIED OVER INSULATOR AND BETWEEN FRONT & REAR SHELLS



DETAIL A-A
SHOWN FOR REFERENCE ONLY

DO NOT SCALE FROM DRAWING

	THESE DRAWINGS AND SPECIFICATIONS ARE THE PROPERTY OF NorComp AND SHALL NOT BE REPRODUCED, COPIED OR USED AS THE BASIS FOR THE MANUFACTURE OF SALE OF APPARATUS WITHOUT WRITTEN PERMISSION.		DRAWN: M. SIGMON	DATE: 08-06-12
			CHECKED:	DATE:
<h1>NorComp</h1>		SCALE: N.T.S.	SHEET 3 OF 3	REV 3
		DWG NO. 684S9W4103L461		

RoHS COMPLIANT