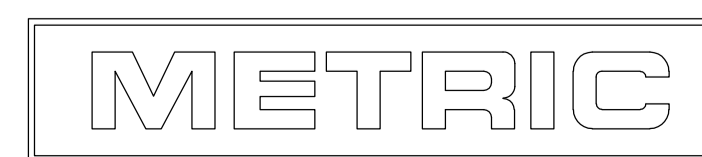
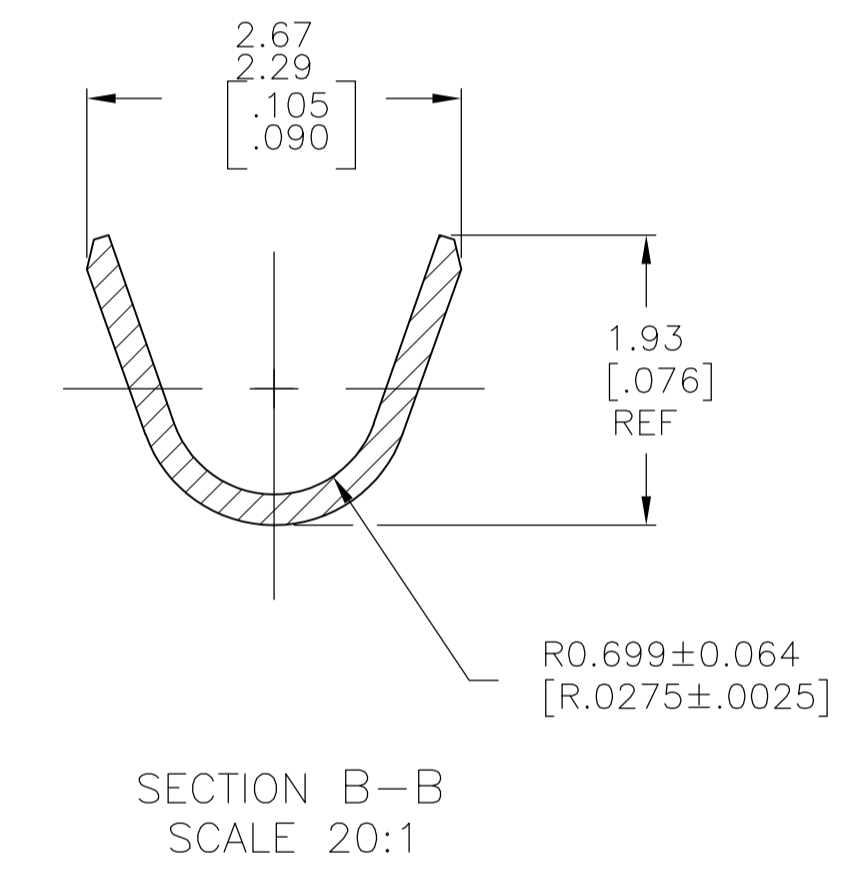
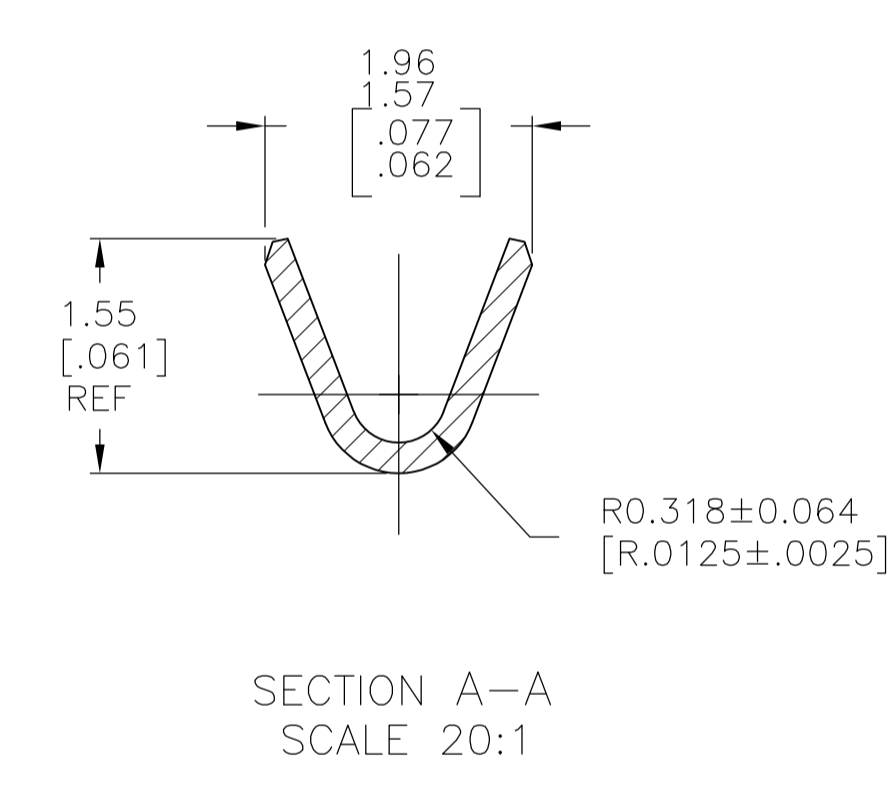
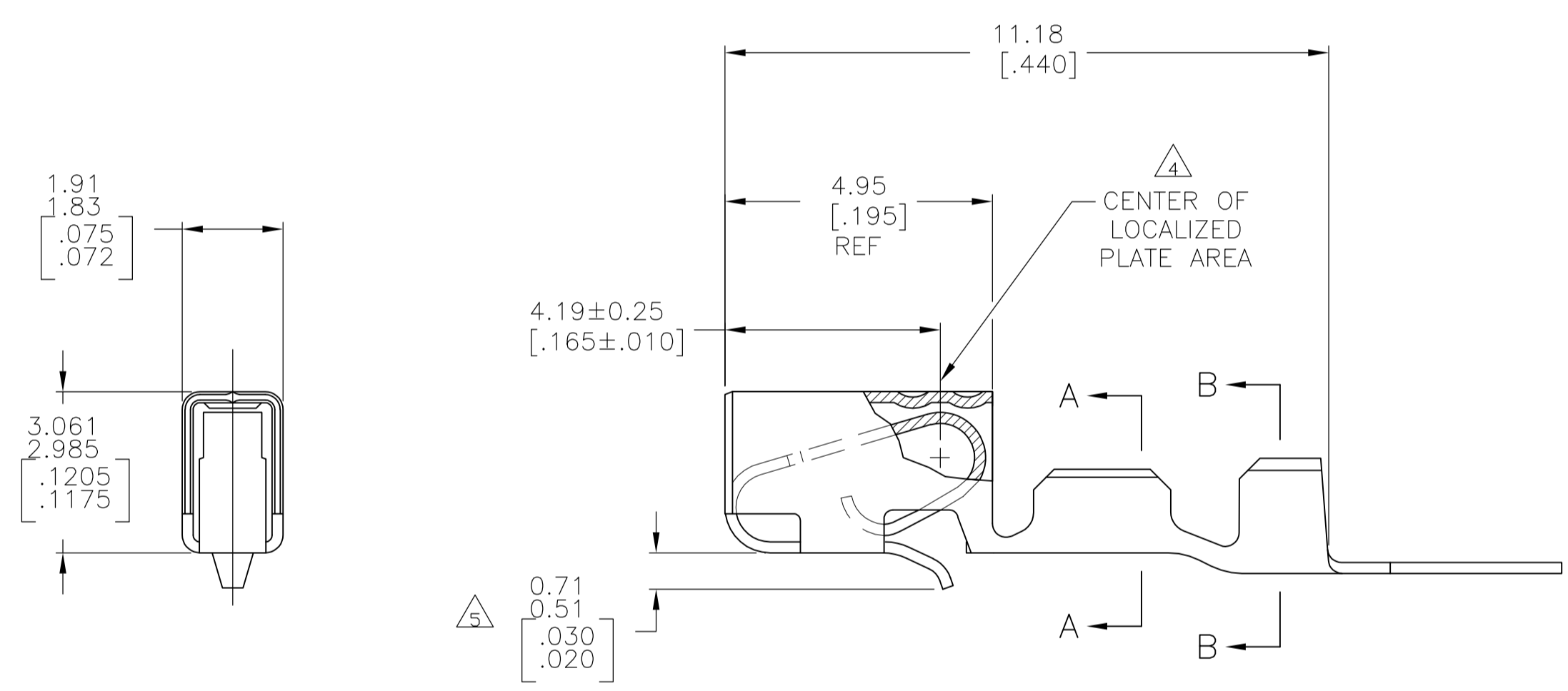
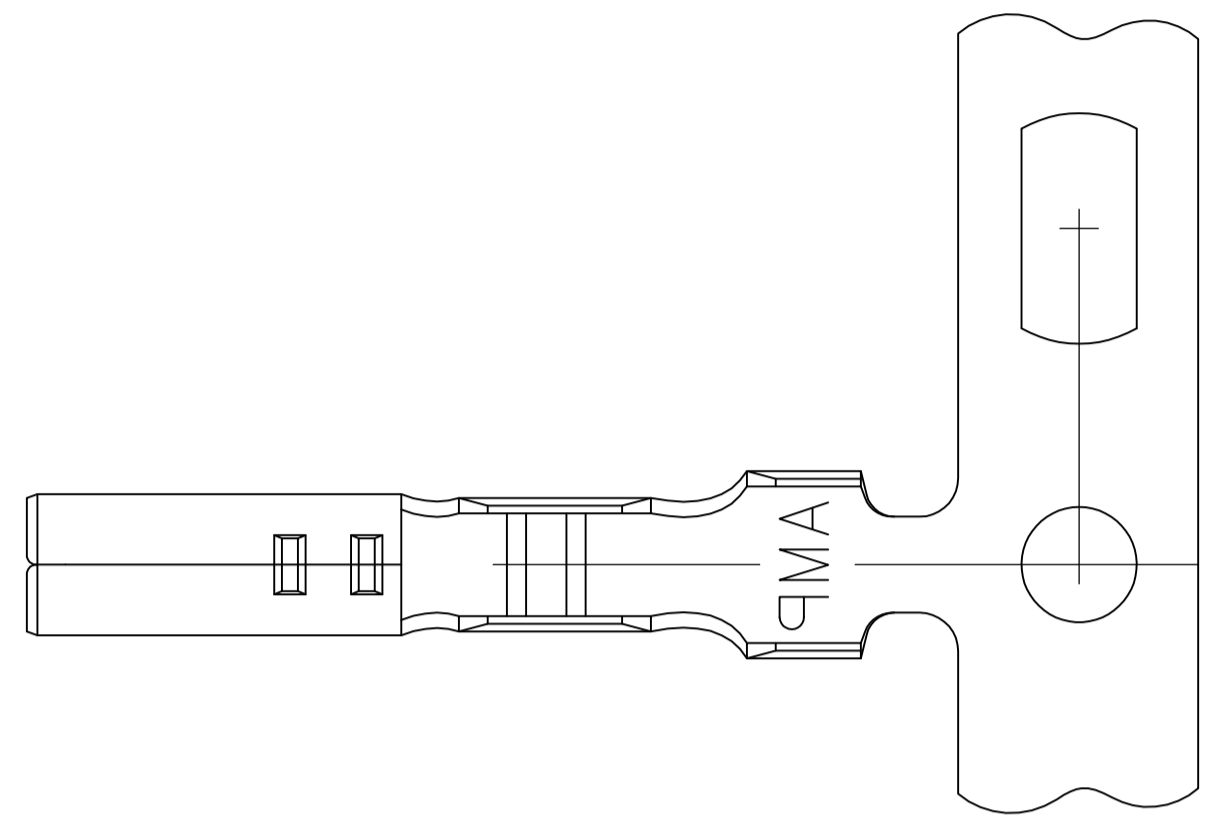


LOC		DIST		REVISIONS			
GP	00	REV	DATE	BY	CHK	APP'D	
M1	REVISED PER	ECO-11-004835	11MAR11	RK	HMR		

- WIRE RANGE: 0.13-0.35 mm² (26-22 AWG).
- INSULATION RANGE: 0.89-1.65 [.035-.065] DIA. LARGER SIZES OF 1.68-1.91 [.066-.075] DIA INSULATION REQUIRES WIRE AND CRIMP EVALUATION FROM AMP INCORPORATED.
- DIMENSIONS IN BRACKETS ARE IN INCHES.
- 0.00076 [.000030] MIN THK GOLD STRIPES IN LOCALIZED PLATE AREA ON BEAM AND DIMPLE OVER 0.00127 [.000050] MIN THK NICKEL OVER ENTIRE CONTACT
-OR-
GOLD FLASH OVER PALLADIUM-NICKEL STRIPES, .00076 [.000030] MIN THK TOTAL IN LOCALIZED PLATE AREA ON BEAM AND DIMPLE OVER .00127 [.000050] MIN NICKEL OVER ENTIRE CONTACT.
- AFTER PACKAGING AND SHIPMENT, A LANCE HEIGHT 0.46-0.71 [.018-.030] IS PERMISSABLE.
- PRE-TIN MAY OR MAY NOT HAVE NICKEL UNDERPLATE.



770601-2	770601-1
PRE-TIN FINISH	PART NUMBER

THIS DRAWING IS A CONTROLLED DOCUMENT.		DIN K. WHITAKER 17FEB05		TE Connectivity	
DIMENSIONS: mm [INCHES]		TOLERANCES UNLESS OTHERWISE SPECIFIED:		NAME	
0 PLC	± -	D. ROSSI 17FEB05		RECEPTACLE, CST-100	
1 PLC	± -	D. ROSSI 17FEB05		APPLICATION SPEC	
2 PLC	± -			SIZE	
3 PLC	± 0.13 [.005]			CAGE CODE	
4 PLC	± -			DRAWING NO	
ANGLES	± -			RESTRICTED TO	
MATERIAL	FINISH	WEIGHT		SCALE	
0.198 PH BRZ	SEE TABLE	A1 00779		10:1	
CUSTOMER DRAWING		C=770601		SHEET 1 OF 1	
				REV M1	