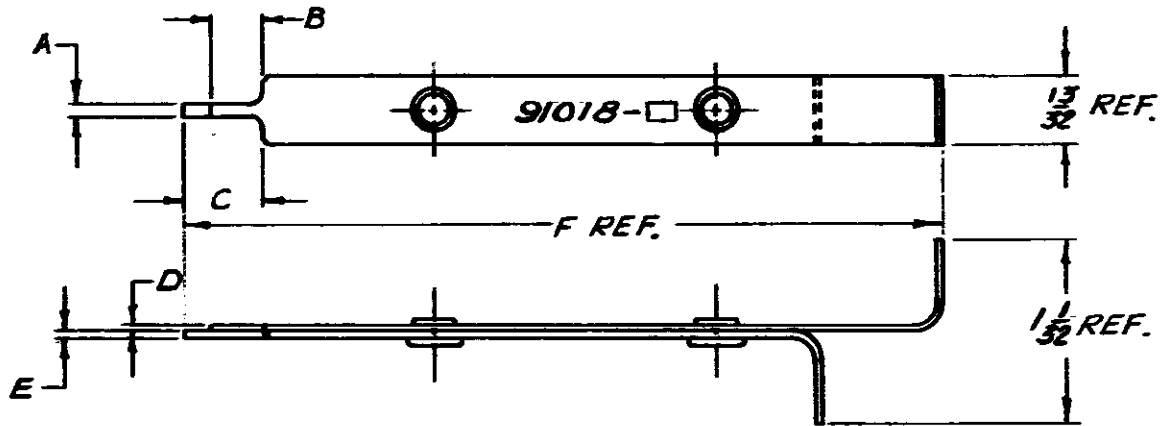


NUMBER
C91018



TOOL NUMBER	USED ON	IS. NO.	A	B	C	D	E	F
91018-1	AMP-TAB (SUNG) FEMALE CONTACT	7150	.055	.505	.625	.041	.021	4
91018-2	AMP-TAB (SUNG) FEMALE CONTACT	7149	.060	.343	.468	.021	.034	4

1- FOR TOOL USAGE, USE INSTRUCTION SHEET LISTED IN TABLE

DIMENSIONS IN INCHES, DO NOT SCALE PRINT.

				© 1964 BY AMP INCORPORATED. ALL RIGHTS RESERVED. AMP PRODUCTS COVERED BY PATENTS AND/OR PATENTS PENDING.		CUSTOMER COPY REFERENCE ONLY	
				MATERIAL AND FINISH		AMP INCORPORATED HARRISBURG, PENNA.	
				STEEL - BLACK OXIDE		CLASS — H —	
				WIRE — RANGE — INSULATION		TYPE — H —	
A-1 Loc M was A		PR	-	photo			
A .343 was .280		1/16	2/16	3/16			
TR	REVISION RECORD	DR	CHK	DATE	SCALE	LOC	NO
						M	A
OR				SCALE		NO	
1-8-64				-1-		C91018	
APP				NAME		REV	
1-16-64				TOOL-EXTRACTION		A1	