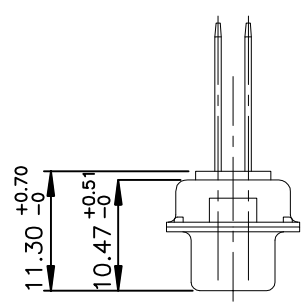
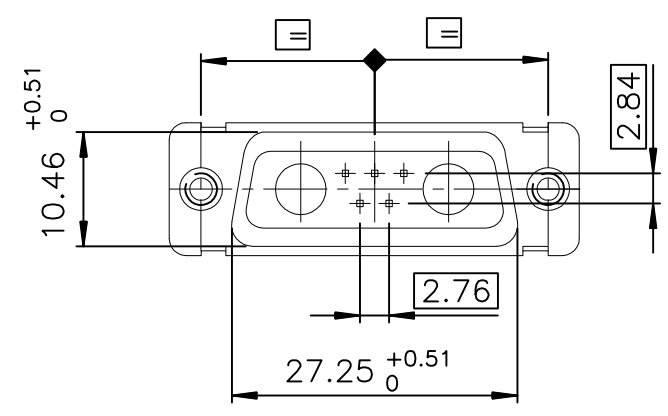
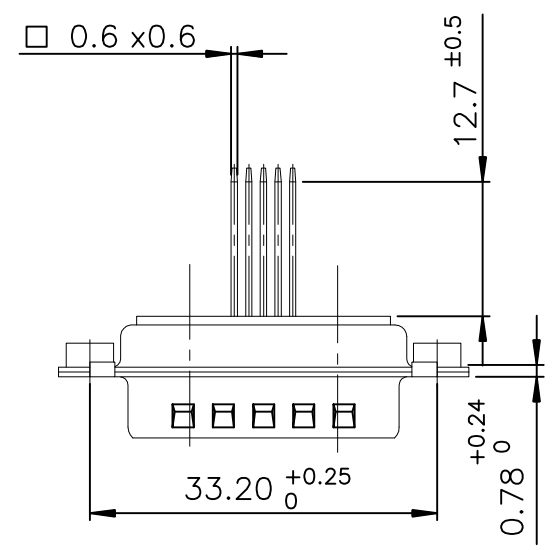
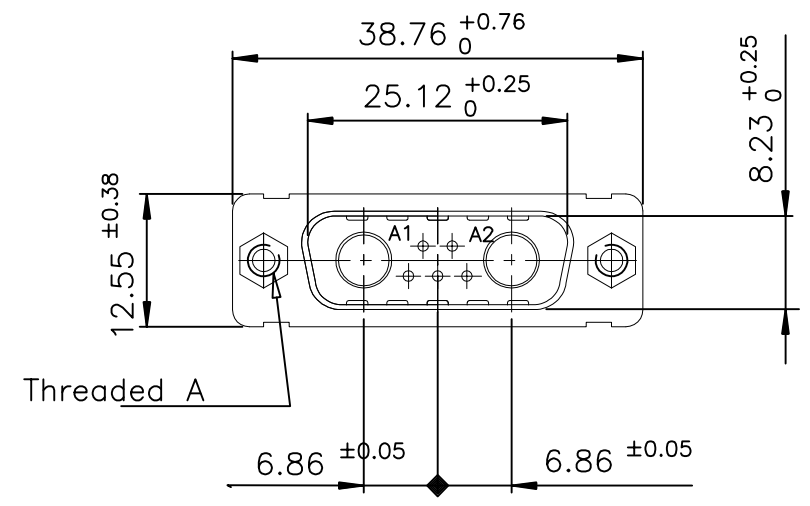




Copyright FCI.



DA07W2P400A00LF DA07W2P443A00LF	UNC 4.40
DAL7W2P400A00LF DAL7W2P443A00LF	M3
PART NUMBER	Threaded A

GENERAL CHARACTERISTICS AND ROHS INFORMATIONS:
SEE DRAWING C01-8639-0000

European Views

rev	ecn no	dr	date
A	LS05-0106	MPE	2005/11/22
B	LS06-0095	LGO	2006/06/15
C	F11-0032	APA	2011/03/01
-	-	-	-
-	-	-	-
-	-	-	-
-	-	-	-

www.fciconnect.com		surface ISO 1302 ✓	tolerance std ISO 406 ISO 1101	projection mm
TOLERANCES UNLESS OTHERWISE SPECIFIED				size A3
Dr	PESSON	2005/11/22	ANGULAR	0.X ±0.1
Eng	PESSON	2005/11/22	LINEAR	0.XX ±0.1
Chr	LEGARE	2005/11/22	0.XX ±2	0.XXX ±0.1
Appr	LEGARE	2005/11/22	ECN F11-0032	
Product family			D-SUB	Spec ref -
FCI		title PIN CONNECTOR WITH WIRE WRAP		Rev. C
catalog no		-		dwg no C01-8639-2251
CUSTOMER			sheet	1 of 1

REV F - 2006-04-17