

NOTES:

1. MATERIALS AND FINISHES:

- HOUSING - BRASS, GOLD PLATING (.000003 MIN THICK)
- BODY - BeCu, GOLD PLATING (.000003 MIN THICK)
- CONTACT PIN - BeCu, GOLD PLATING (.000030 MIN THICK)
- COVER - BRASS, GOLD PLATING (.000003 MIN THICK)
- INSULATOR - PTFE, NATURAL
- INSULATOR - DELRIN, NATURAL

2. CABLE ASSEMBLY INSTRUCTIONS:

- A. TRIM CABLE AS SHOWN.
- B. INSERT CABLE INTO BODY.
- C. CRIMP USING AMPHENOL TOOL 227-944 WITH DIE SET227-1221-03, CAVITY 'A' (0.128 HEX) FOR FERRULE.
- D. AFTER CRIMPING, SOLDER CABLE CENTER CONDUCTOR TO CONTACT, THE SOLDER MUST NOT PROTRUDE ABOVE THE CENTER CONTACT END SURFACE.
- E. ORIENT REAR INSULATOR SLOT WITH CABLE DIELECTRIC AND INSERT TO DIMENSION SHOWN.
- F. INSERT CAP UNTIL FLUSH WITH SURFACE OF BODY, INSERTION TOOLING MUST ENSURE THAT CAP SURFACE IS PARALLEL TO BODY SURFACE.

3. PACKAGING:

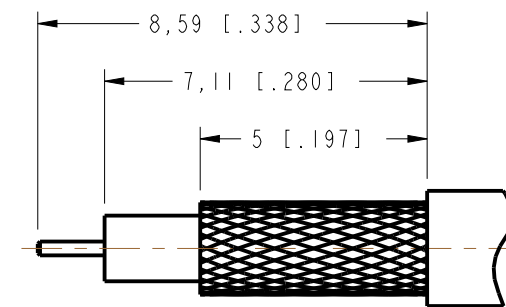
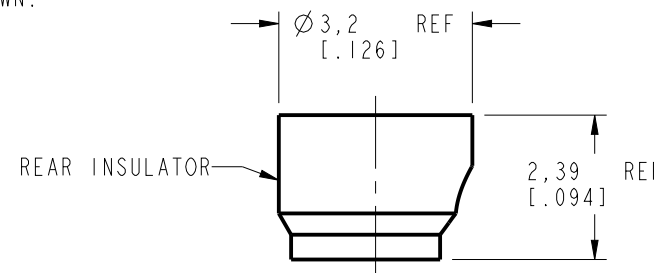
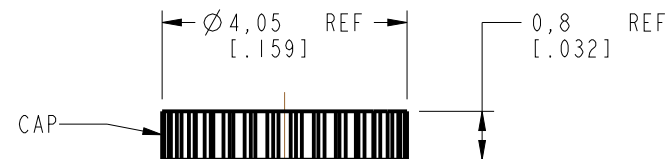
- A. QUANTITY: SINGLE PACK
- B. MARKING: BAG TO BE MARKED "AMPHENOL RF, SMP-FR-C08-1 AND DATE CODE"

4 SHOWS CABLE ENTRY DIMENSIONS.

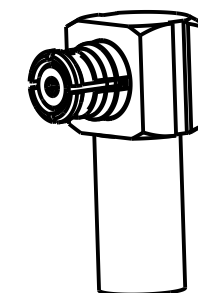
THIRD ANGLE PROJ.

REVISIONS

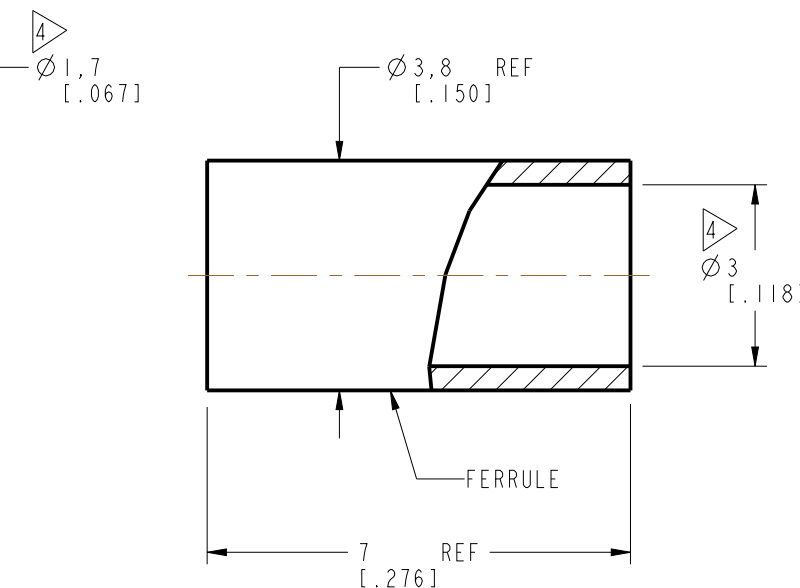
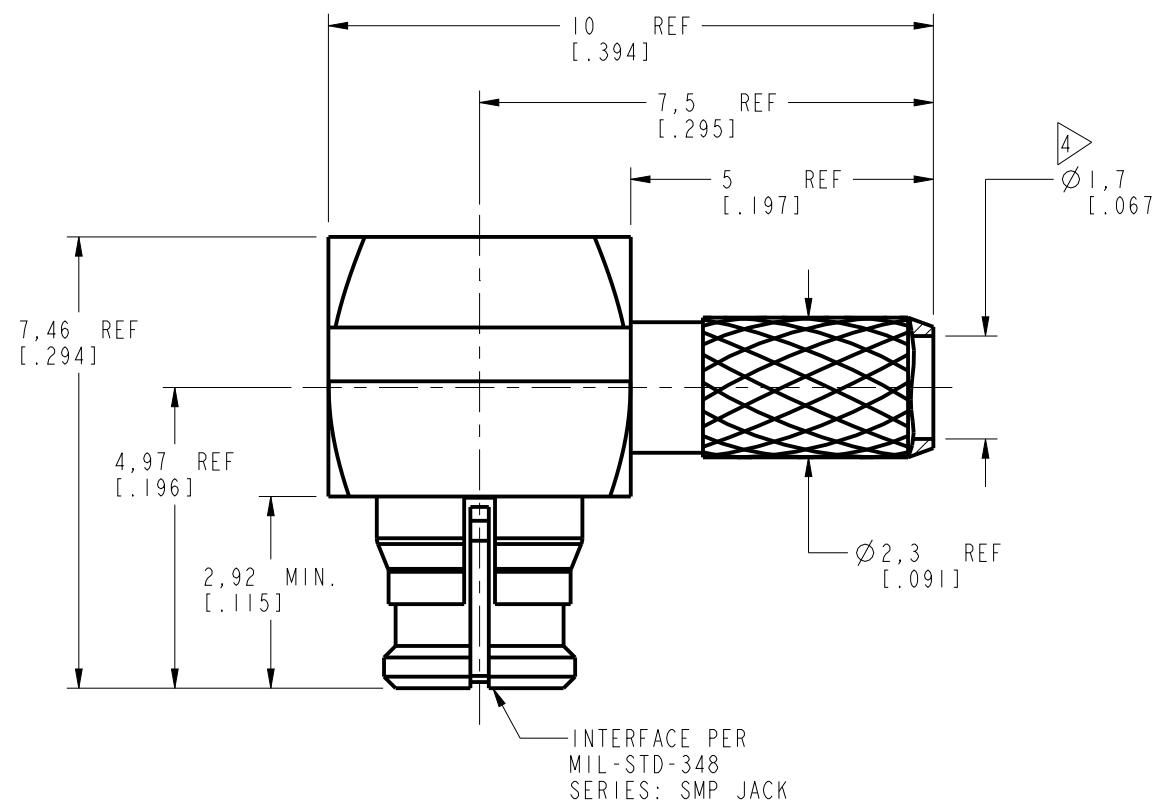
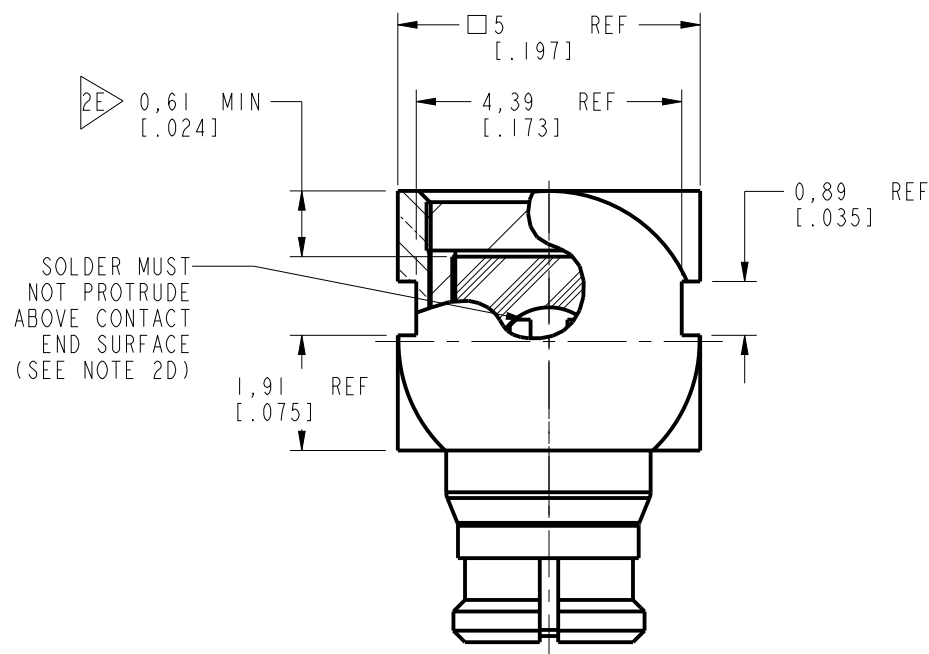
| REV | DESCRIPTION | DATE | ECO | APPR |
|-----|---------------------------|-----------|------|------|
| A | RELEASE TO MFG. | 04-Nov-16 | 2061 | NR |
| B | DOCUMENTATION CHANGE ONLY | 01-Dec-16 | 2641 | BMG |



RECOMMENDED CABLE STRIPPING DIMENSIONS



SCALE 3.000



PRELIMINARY ISSUE

CUSTOMER OUTLINE DRAWING

ALL OTHER SHEETS ARE FOR INTERNAL USE ONLY

| | | | | | | | | |
|---|------------------------------|-----------|-----------|---|------------|-----------------------------------|-----------------------|--|
| UNLESS OTHERWISE SPECIFIED, DIMENSIONS ARE IN INCHES AND TOLERANCES ARE: 2 PLACE DECIMAL 3 PLACE DECIMAL ANGLES ±.015 (0.381 mm) ±.005 (0.127 mm) ± 1° | MATERIAL | DRAWN | DATE | TITLE SMP R/A PLUG WITH FEMALE CONTACT FOR RG 316 & RG 174 CABLE | | Amphenol RF www.amphenolrf.com | | |
| | SEE NOTES | H. PARIKH | 04-Nov-16 | | | | | |
| NOTICE - These drawings, specifications, or other data (1) are, and remain the property of Amphenol corp. (2) must be returned upon request; and (3) are confidential and not to be disclosed to any person other than those to whom they are given by Amphenol Corp. the furnishing of these drawings, specifications, or other data by Amphenol Corp., or to any other person to anyone for any purpose is not to be regarded by implication or otherwise in any manner licensing, granting rights to permitting such holder or any other person to manufacture, use or sell any product, process or design, patented or otherwise, that may in any way be related to or disclosed by said drawings, specifications, or other data. | REFERENCE | ENGINEER | DATE | SCALE: 8.0:1.0 SHEET 2 OF 2 | | DRAWING NO. SMP-FR-C08-1 | | |
| | EAR # 4720 AND 615X-2307-100 | H. PARIKH | 09-Jun-11 | 04-Nov-16 | DWG SIZE B | | ITEM NO. SMP-FR-C08-1 | |
| | CONFIGURATION LEVEL: In Work | APPROVED | S.HSIEH | CAD FILE | REV B | | PART NO. SMP-FR-C08-1 | |