

NOTES:

1. MATERIALS AND FINISHES:

- FERRULE - COPPER, GOLD PLATING
- DISC INSULATOR - PTFE, NATURAL
- COVER - BRASS, GOLD PLATING
- CONTACT PIN - BRASS, GOLD PLATING
- BODY - BRASS, GOLD PLATING
- INSULATOR - PTFE, NATURAL
- RETAINING RING - SUS 304, NATURAL
- GASKET - SILICONE RUBBER, RED
- COUPLING NUT - BRASS, GOLD PLATING

2. ELECTRICAL:

- A. IMPEDANCE: 50 OHM
- B. FREQUENCY RANGE: 0-6 GHZ
- C. VSWR (RETURN LOSS): 1.2 (-20.828 dB) MAX.
- D. D.W.V: 1000 VRMS, MIN.

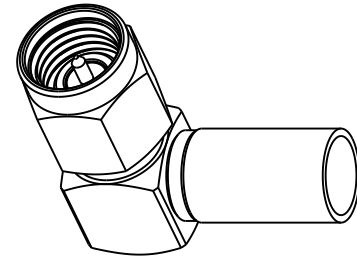
3. MECHANICAL:

- A. DURABILITY: 500 CYCLES MIN.
- B. TEMPERATURE RANGE: -65°C TO +165°C

4. CRIMPED FERRULE HEX CRIMP SIZE .213"

5. CONTACT PIN TO SOLDER

6 SHOWS CABLE ENTRY DIMENSIONS.

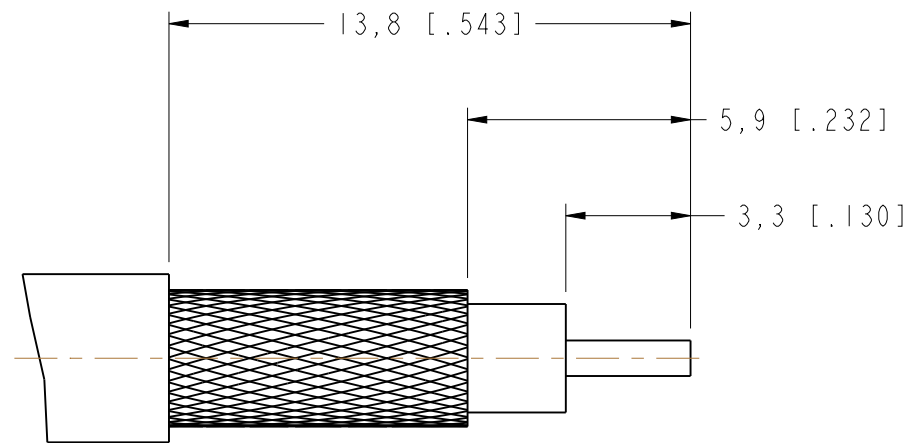
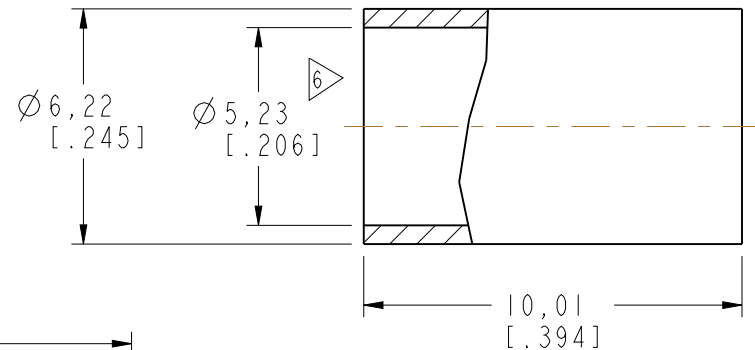


SCALE 2.000

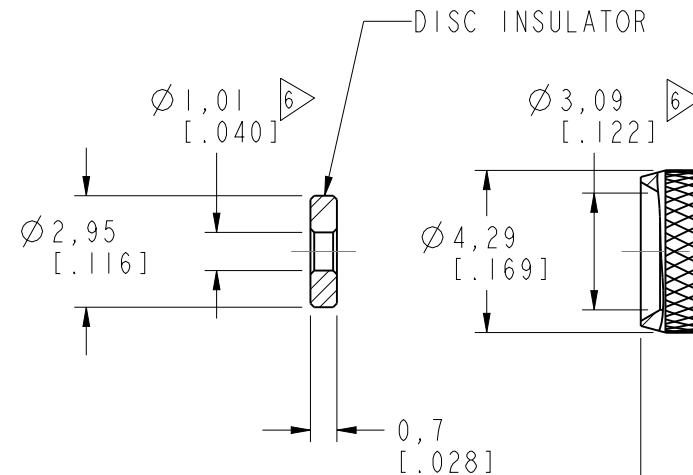
THIRD ANGLE PROJ.

REVISIONS

REV	DESCRIPTION	DATE	ECO	APPR
NC	INITIAL RELEASE	22-Nov-13	-----	MZ
A	UPDATE DRAWING FORMAT	24-Jan-14	-----	MZ
B	THE BARREL & FERRULE WERE CHANGED	17-Mar-15	2886	BCG



RECOMMENDED CABLE STRIPPING DIM'S



DISC INSULATOR

1/4-36UNS-2B

7.92 [.312] HEX.

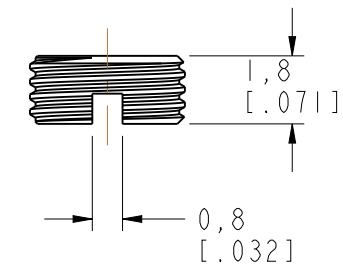
13,5 REF. [.532]

17,5 REF. [.689]

0,7 [.028]

12,4 [.488]

15,9 [.626]



**CUSTOMER OUTLINE DRAWING**

ALL OTHER SHEETS ARE FOR INTERNAL USE ONLY

UNLESS OTHERWISE SPECIFIED, DIMENSIONS ARE IN METRIC AND TOLERANCES ARE:  
 <0.5mm ± 0.05mm    0.5 - 6mm ± 0.1mm    6 - 30mm ± 0.2mm    30 - 120mm ± 0.3mm    ANGLES ± 1°

NOTICE - These drawings, specifications, or other data (1) are, and remain the property of Amphenol corp. (2) must be returned upon request; and (3) are confidential and not to be disclosed to any person other than those to whom they are given by Amphenol Corp. the furnishing of these drawings, specifications, or other data by Amphenol Corp., or to any other person to anyone for any purpose is not to be regarded by implication or otherwise in any manner licensing, granting rights to permitting such holder or any other person to manufacture, use or sell any product, process or design, patented or otherwise, that may in any way be related to or disclosed by said drawings, specifications, or other data.

MATERIAL	
REFERENCE	EAR# 6467 SMA112B1-001-3GT5GP-50 CONFIGURATION LEVEL: In Work
FINISH	

DRAWN	M. ZHANG	DATE	02-Mar-15
ENGINEER	S. DUAN	DATE	02-Mar-15
APPROVED	B.C. GLEISSNER	DATE	17-Mar-15
CAD FILE			

TITLE	
SMA R/A CRIMP PLUG (FOR LMR/FBT-195 CABLE)	
SCALE: 5.0:1.0	SHEET 3 OF 3
DWG SIZE	REV
B	B

Amphenol Connex	
DRAWING NO.	
ITEM NO.	
PART NO. 132444	