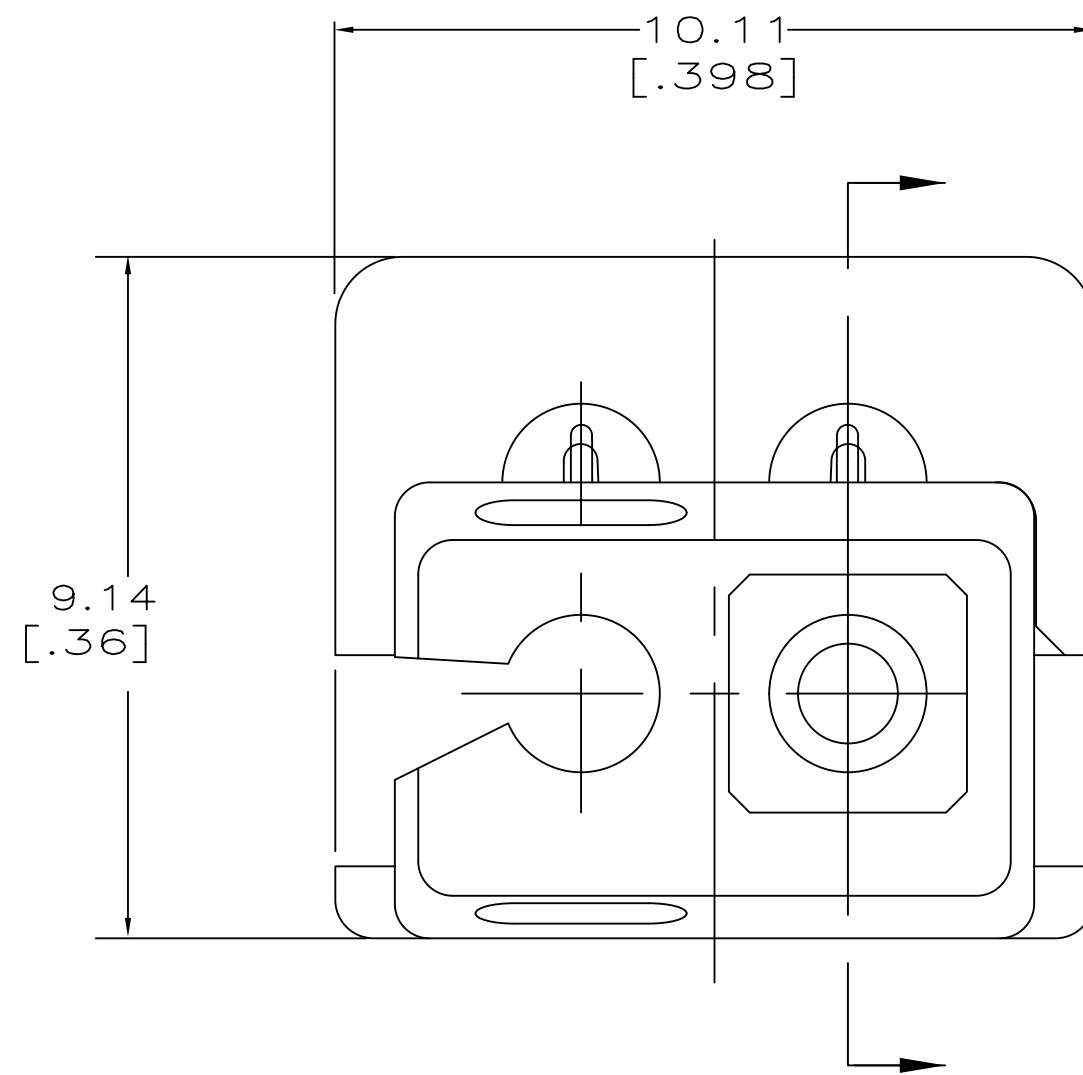
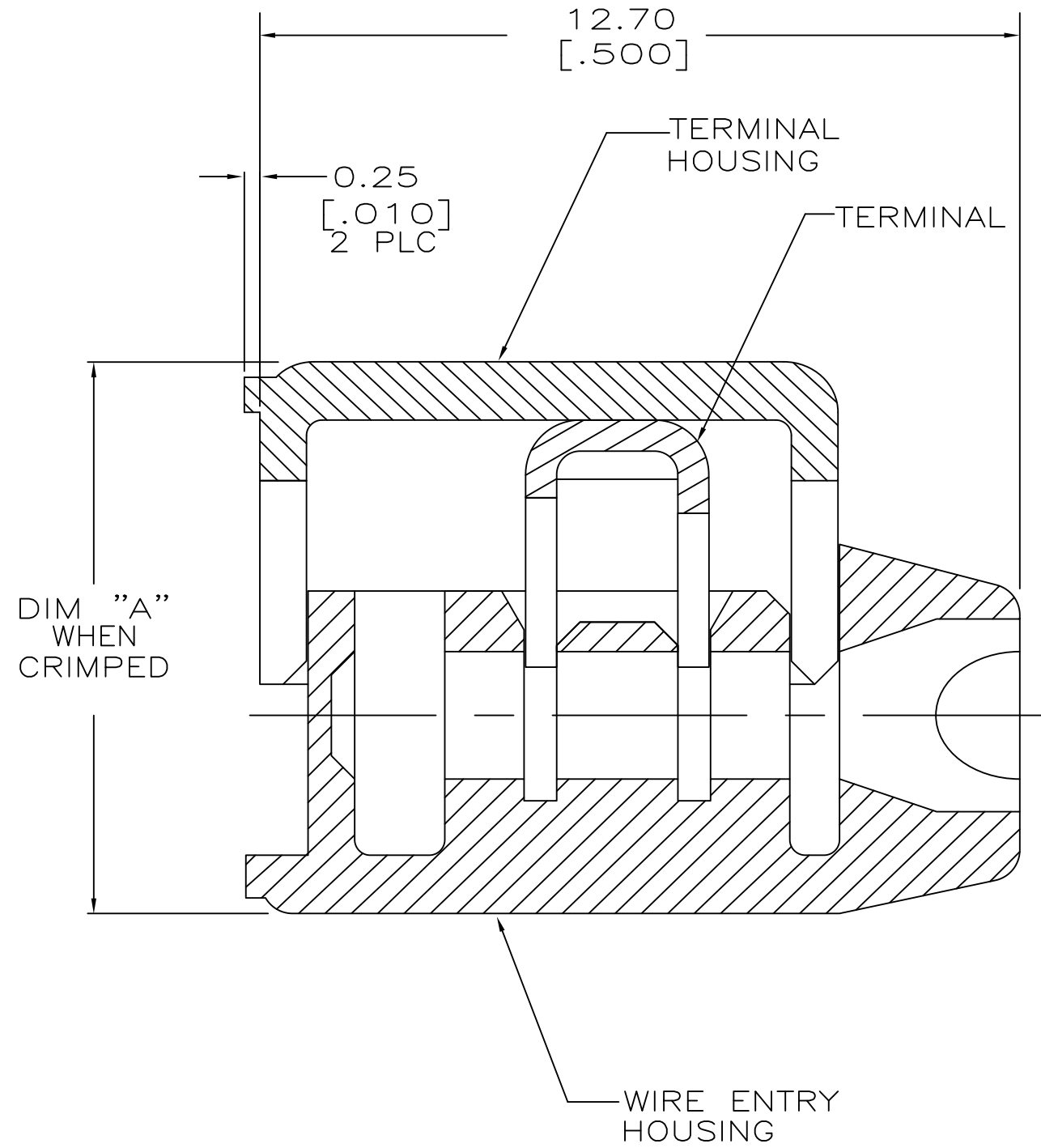


THIS DRAWING IS UNPUBLISHED. RELEASED FOR PUBLICATION
 © 2016 Commscope, INC. Confidential NOTICE: These drawings and specifications are the proprietary property of COMMSCOPE, INC. and may be used only for the specific purpose authorized in writing by COMMSCOPE, INC.

LOC		DIST		REVISIONS			
P	LTR	DESCRIPTION	DATE	DWN	APVD		
	R	REV PER 40025366MCO	14OCT2015	GG	JD		
	Y	ECN 8000019699 REBRANDING	31JAN2017	JUM	ARL		

- ALL DIMENSIONS ARE MAXIMUM UNLESS OTHERWISE SPECIFIED.
- MATERIAL: HOUSING – POLYCARBONATE CLEAR. TERMINALS – TIN PLATED PHOSPHOR BRONZE.
- WIRE RANGE: 19–26 AWG SOLID COPPER CONDUCTORS.
- TEL-SPLICE ASSEMBLIES WITHOUT SEALANT (UNFILLED) SHALL BE YELLOW.



6.66 [.262]	24–26
7.01 [.276]	19–22
DIM "A"	WIRE AWG

OBSOLETE	100/BOX	FILLED	1–553397–3
	BULK	UNFILLED \triangle_4	1–553397–2
OBSOLETE	100/BOX	UNFILLED \triangle_4	1–553397–1
	1000/BOX	FILLED	553397–3
	1000/TUB	UNFILLED \triangle_4	553397–1
	PACKAGED	DESCRIPTION	PART NUMBER

THIS DRAWING IS A CONTROLLED DOCUMENT.

DWN G. GARRET 04OCT2002	COMMSCOPE, INC. TEL-SPLICE ASSEMBLY, HALF TAP, 2 WIRE, FLAME RETARDANT	SIZE	CAGE CODE	DRAWING NO	RESTRICTED TO	
CHK L. SMITH 29AUG2002		A2	-	C=553397	-	
APVD A. KINKA 29AUG2002		SCALE	1:1	SHEET	1 of 1	REV
PRODUCT SPEC		CUSTOMER DRAWING				Y

DIMENSIONS: mm [INCHES]
 TOLERANCES UNLESS OTHERWISE SPECIFIED:
 0 PLC ± -
 1 PLC ± -
 2 PLC ± -
 3 PLC ± -
 4 PLC ± -
 ANGLES ± -
 FINISH - \triangle_2