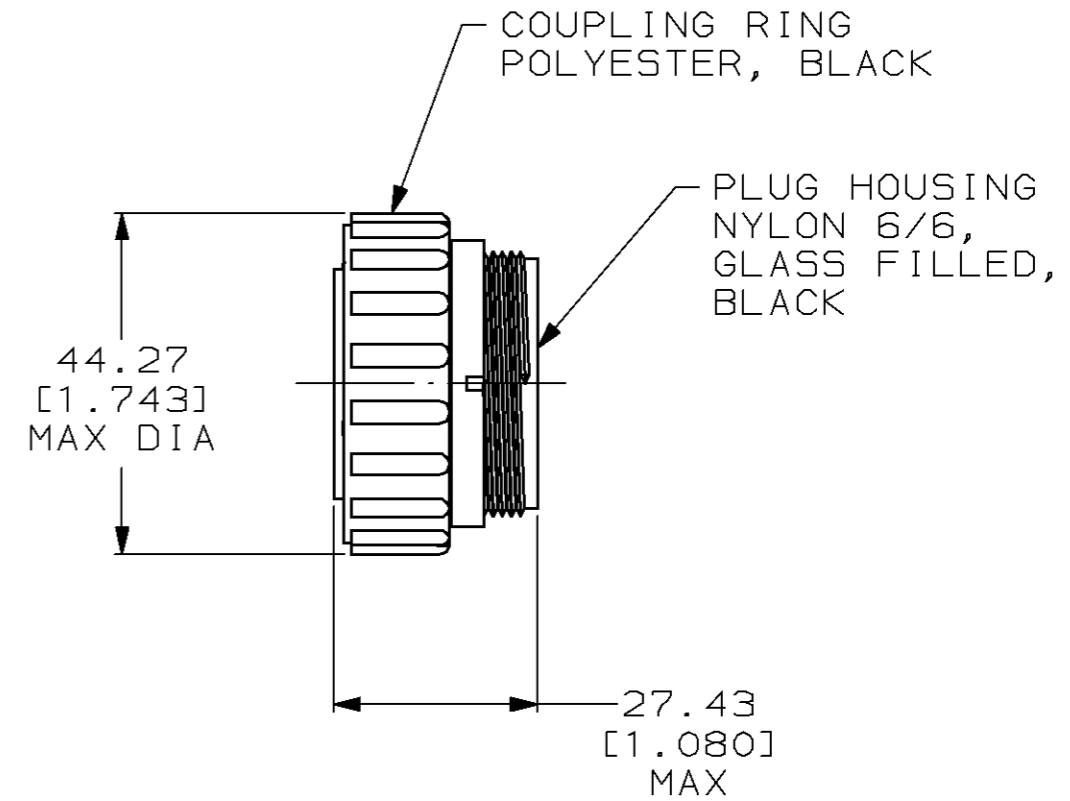
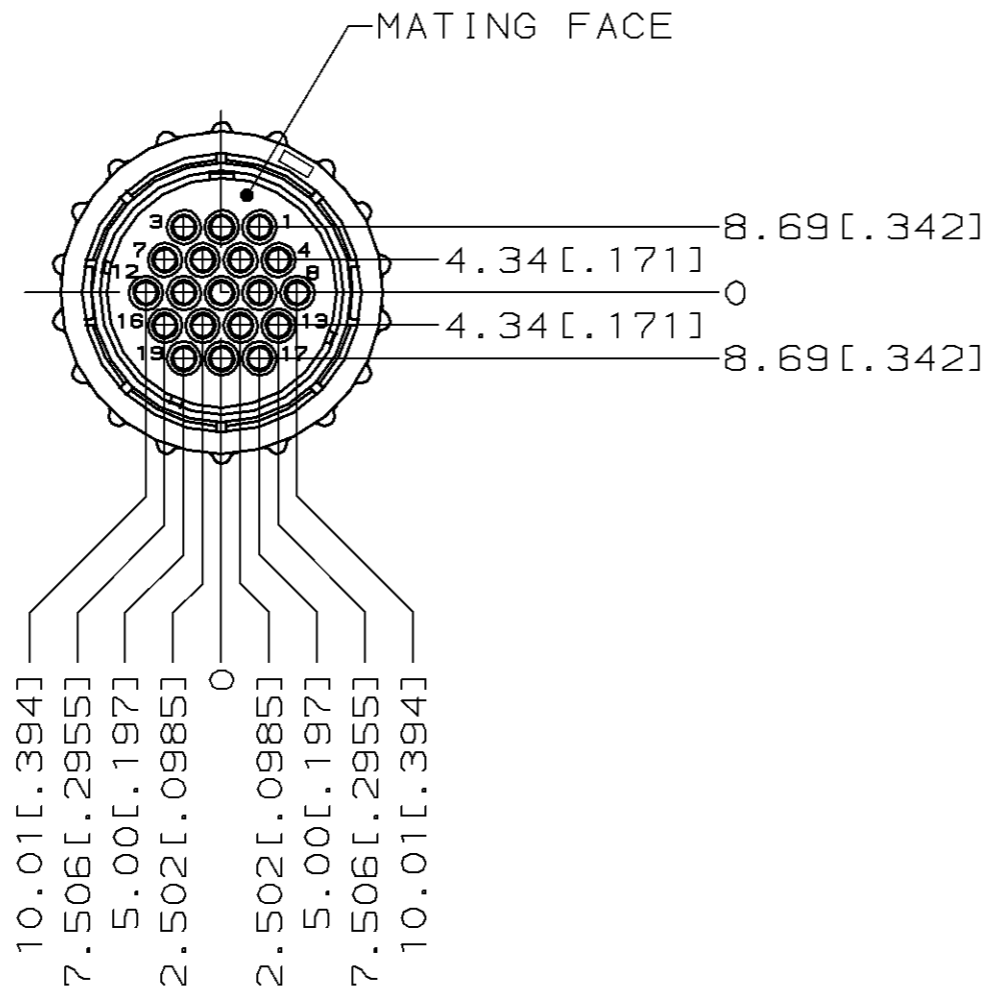


THIS DRAWING IS UNPUBLISHED. RELEASED FOR PUBLICATION, 19 .
 © COPYRIGHT 19 BY AMP INCORPORATED. ALL INTERNATIONAL RIGHTS RESERVED.

LOC	DIST	P	F	REVISIONS				
				ZONE	LTR	DESCRIPTION	DATE	APPD
FT	4				0	RLSE PER NPR 5254 WAS 94-5029-035-01	01/05/95	-
					A	REV PER EC 0020-68-95	02/08/95	AF
					B	REV PER EC 0320-7-97	16 JAN 97	KD



213853-1
PART NUMBER

- CONTACT CAVITIES IDENTIFIED BY CHARACTERS ON FRONT AND REAR FACES OF CONNECTOR.
- THIS CONNECTOR WILL ACCEPT (19) MULTIMATE SOCKET CONTACTS.

DO NOT SCALE PRINT, UNLESS SPECIFIED. DIMENSIONS IN mm [INCHES]. TOLERANCES ON: 2 PLC DEC ± 0.13 [0.005] 3 PLC DEC ± - ANGLES ± -		DR 01/05/95 K.FOLTZ	AMP AMP Incorporated Harrisburg, PA 17105-3608
MATERIAL SEE CALLOUT		CHK 01/09/95 R.STONE	
FINISH -		APPD 01/10/95 T.COULSON	NAME PLUG ASSEMBLY, STANDARD SEX, SIZE 23, CPC
		APPD 01/16/95 A.FRANTUN	SIZE B CAGE CODE 00779 DRAWING NO 213853
		PRODUCT SPEC -	SCALE 1:1 SHEET 1 OF 1
		APPLICATION SPEC -	
		WEIGHT -	