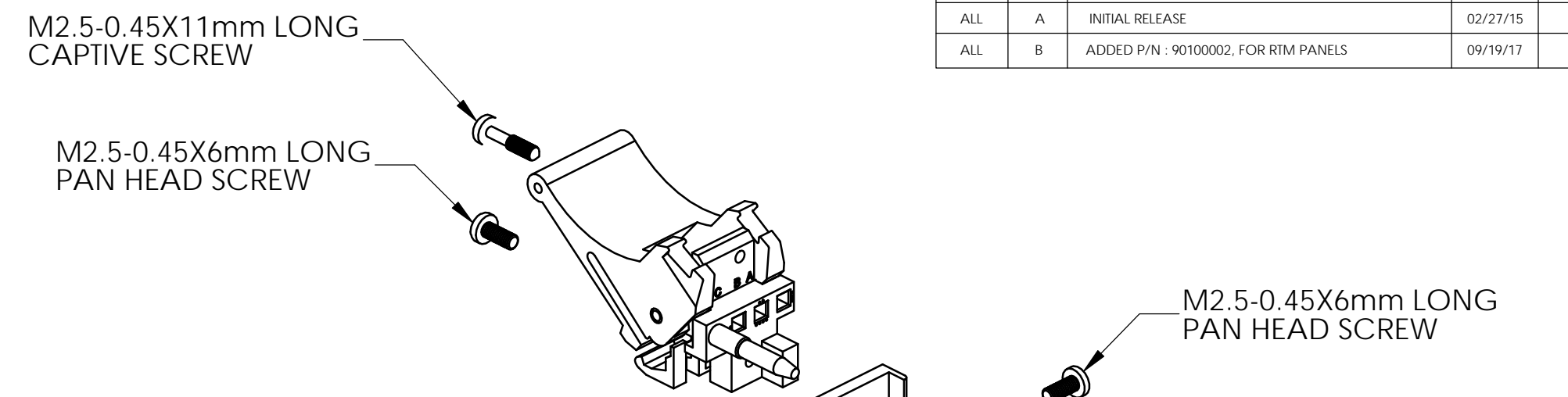
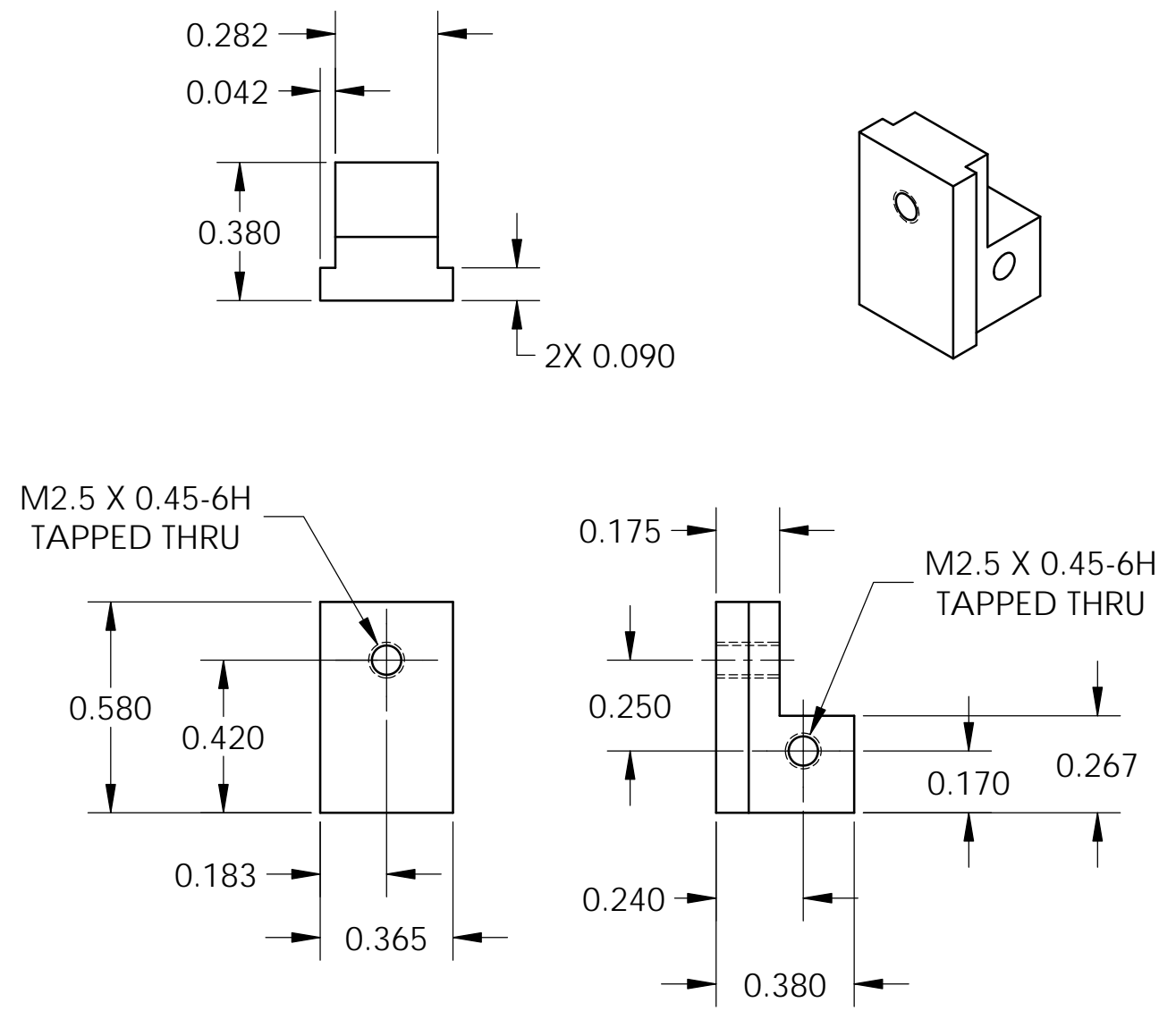
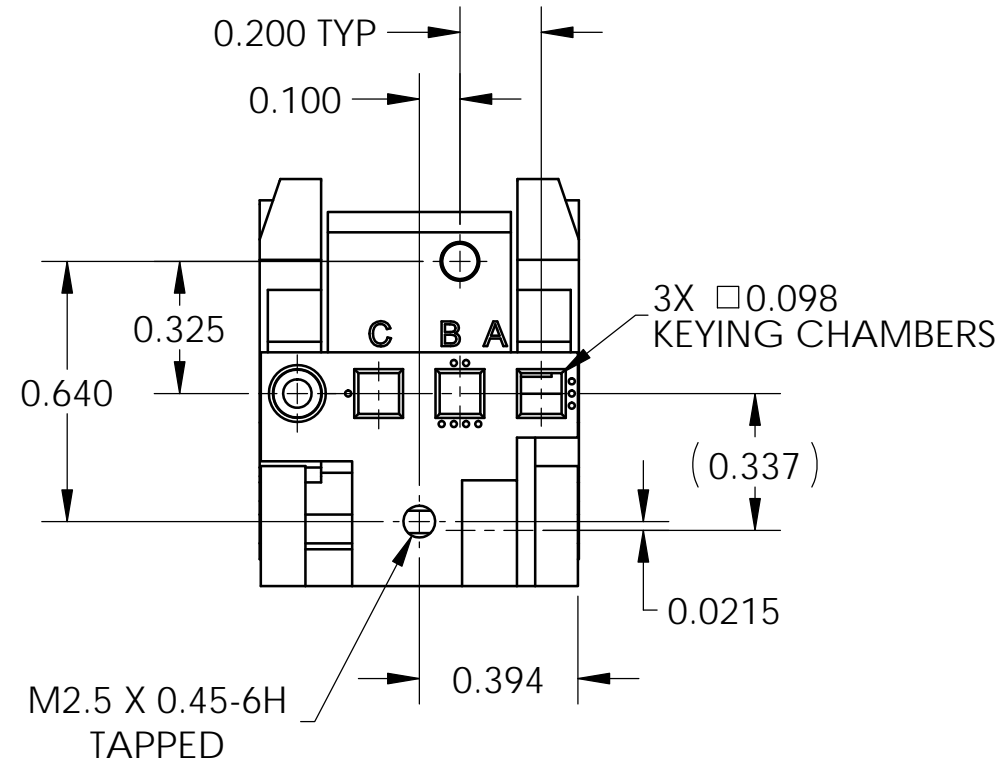
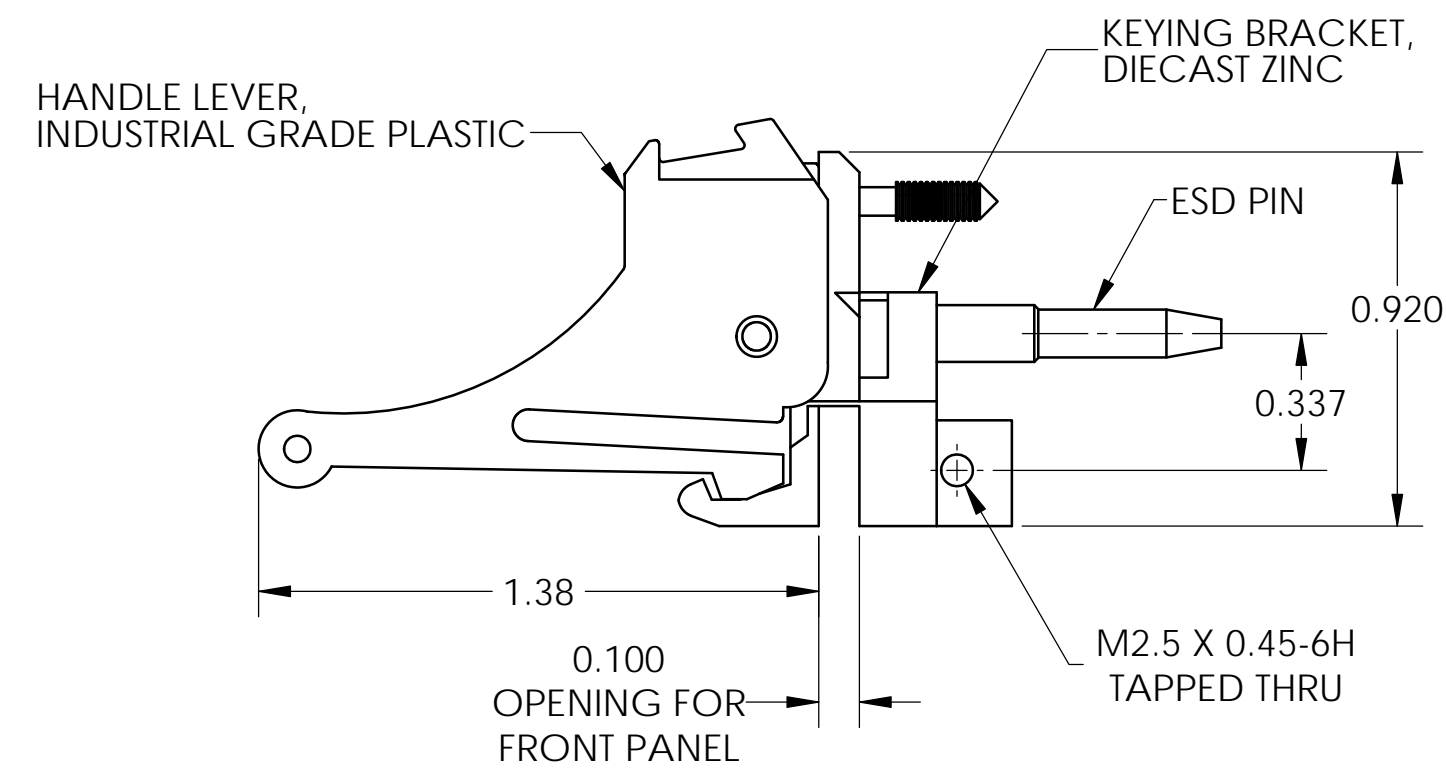


PROPRIETARY AND CONFIDENTIAL  
 THE INFORMATION CONTAINED IN THIS DRAWING IS THE SOLE PROPERTY OF  
 VECTOR ELECTRONICS & TECHNOLOGY, INC. ANY REPRODUCTION IN PART  
 OR AS A WHOLE WITHOUT THE WRITTEN PERMISSION OF VECTOR ELECTRONICS  
 & TECHNOLOGY, INC IS PROHIBITED.

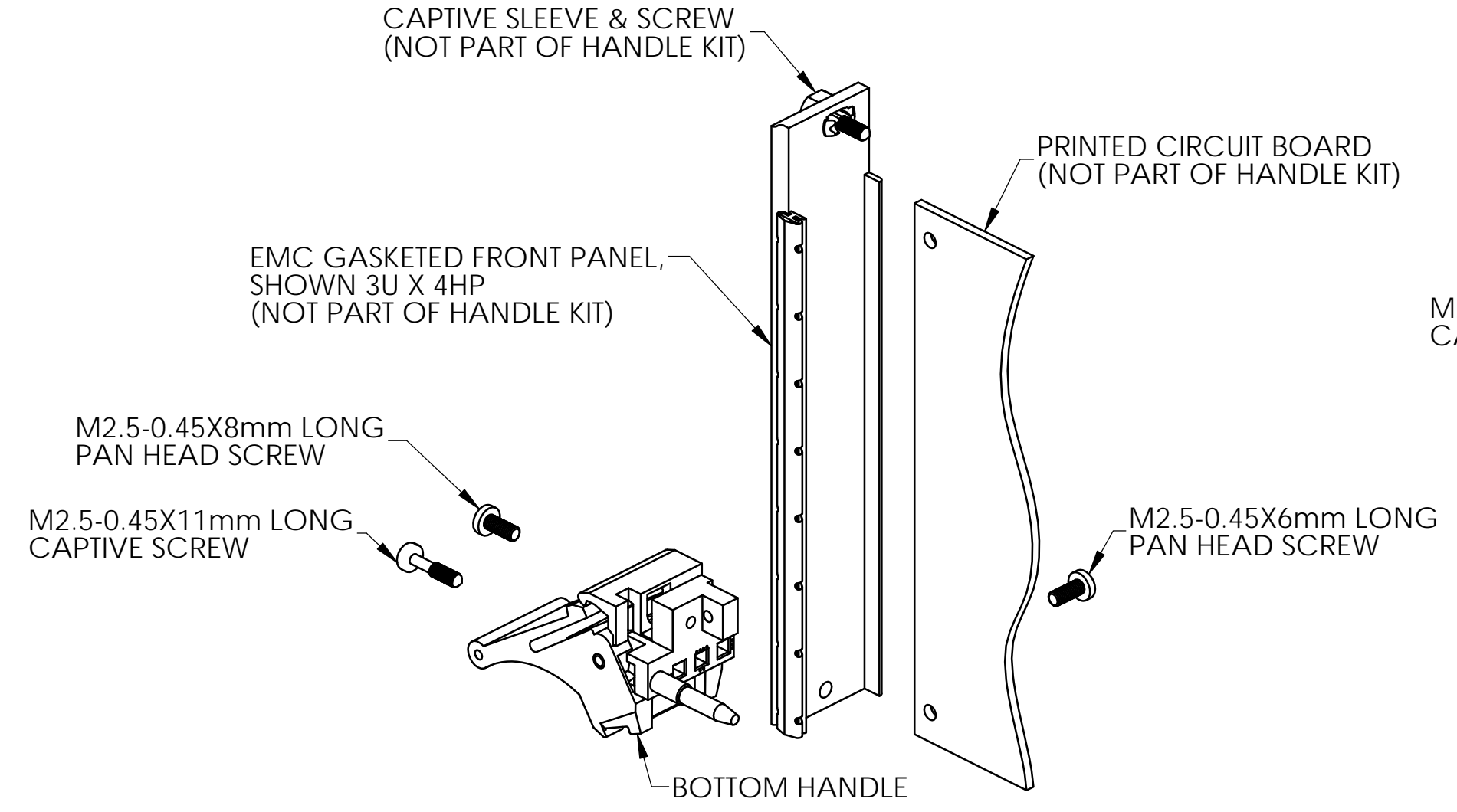
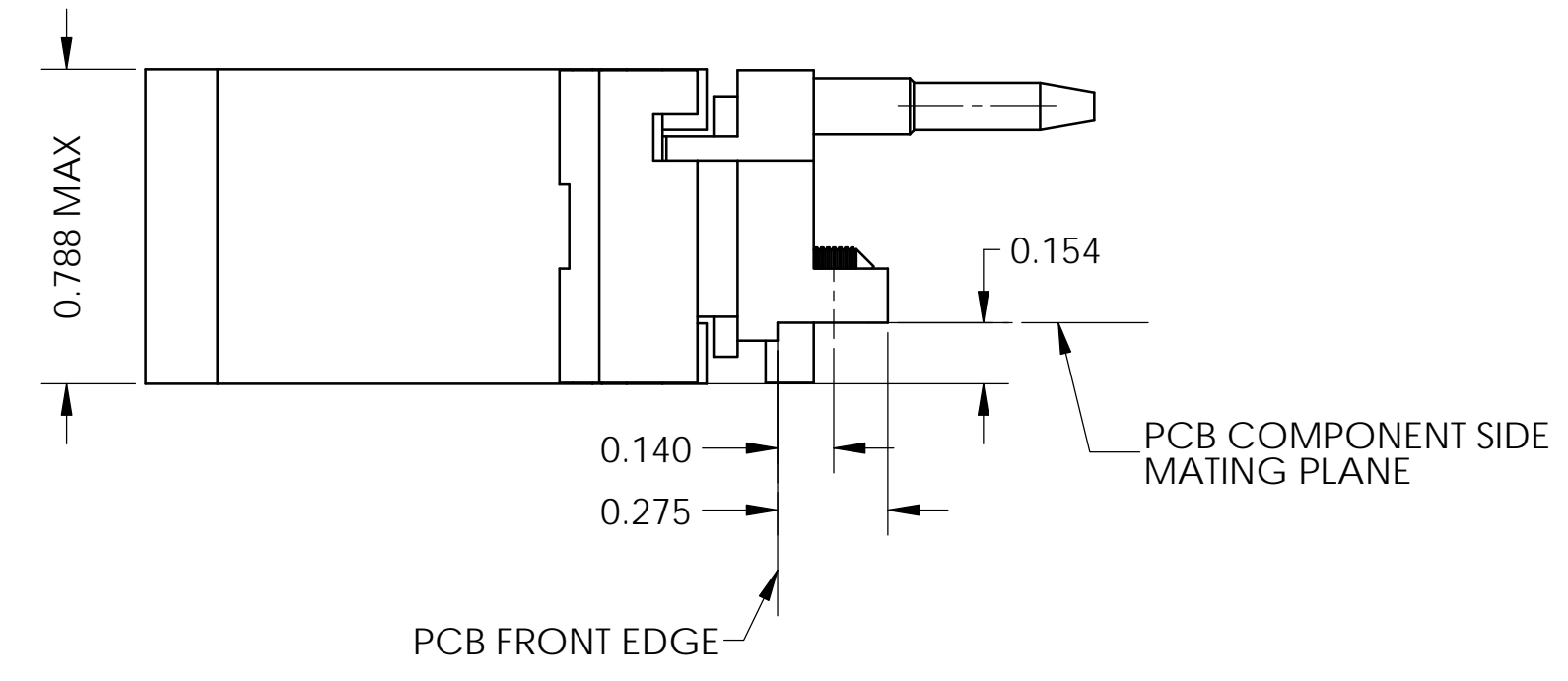
REVISIONS				
ZONE	REV	DESCRIPTION	DATE	APPROVED
ALL	A	INITIAL RELEASE	02/27/15	
ALL	B	ADDED P/N: 9010002, FOR RTM PANELS	09/19/17	



**TOP HANDLE DETAIL**

**L-BRACKET DETAIL  
(PART OF 90100016)**

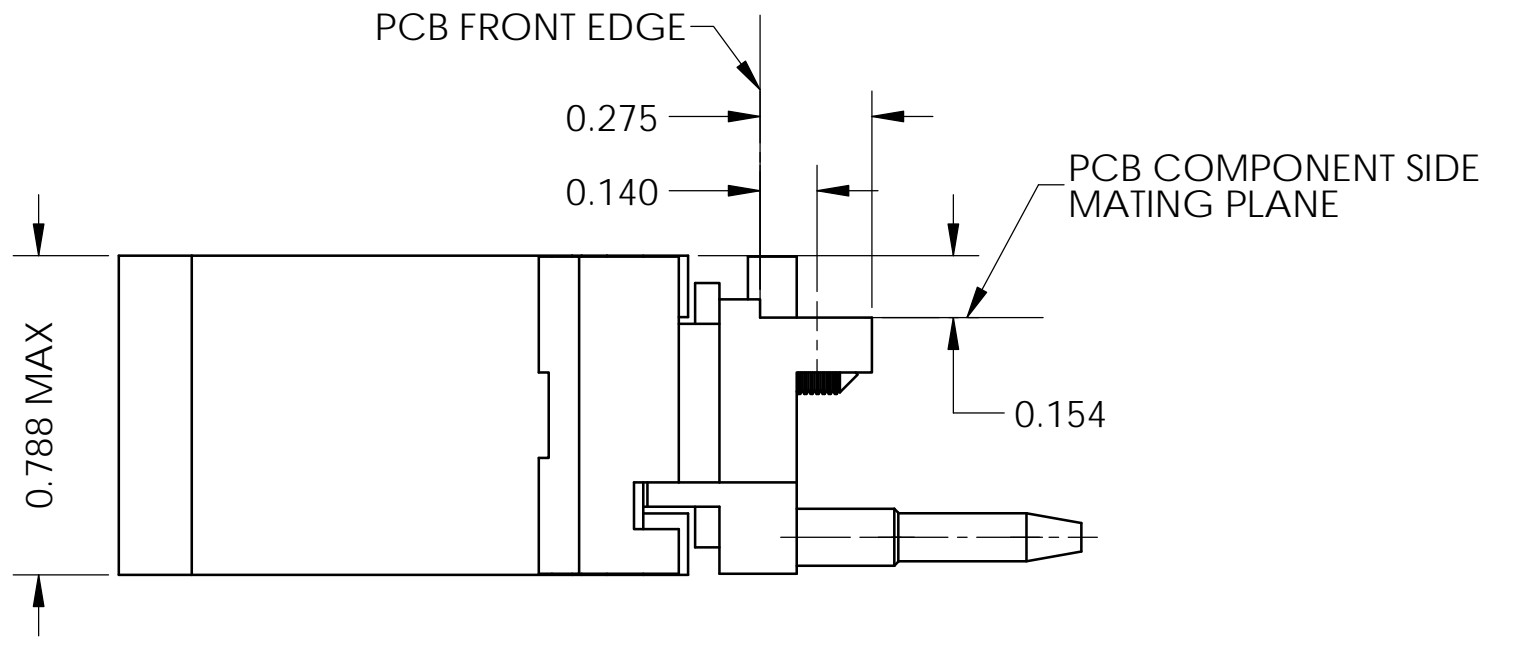
**EXPLODED VIEW  
6U OR 9U PLUG-IN CARD ASSEMBLY**



**EXPLODED VIEW  
3U FRONT PLUG-IN CARD ASSEMBLY**

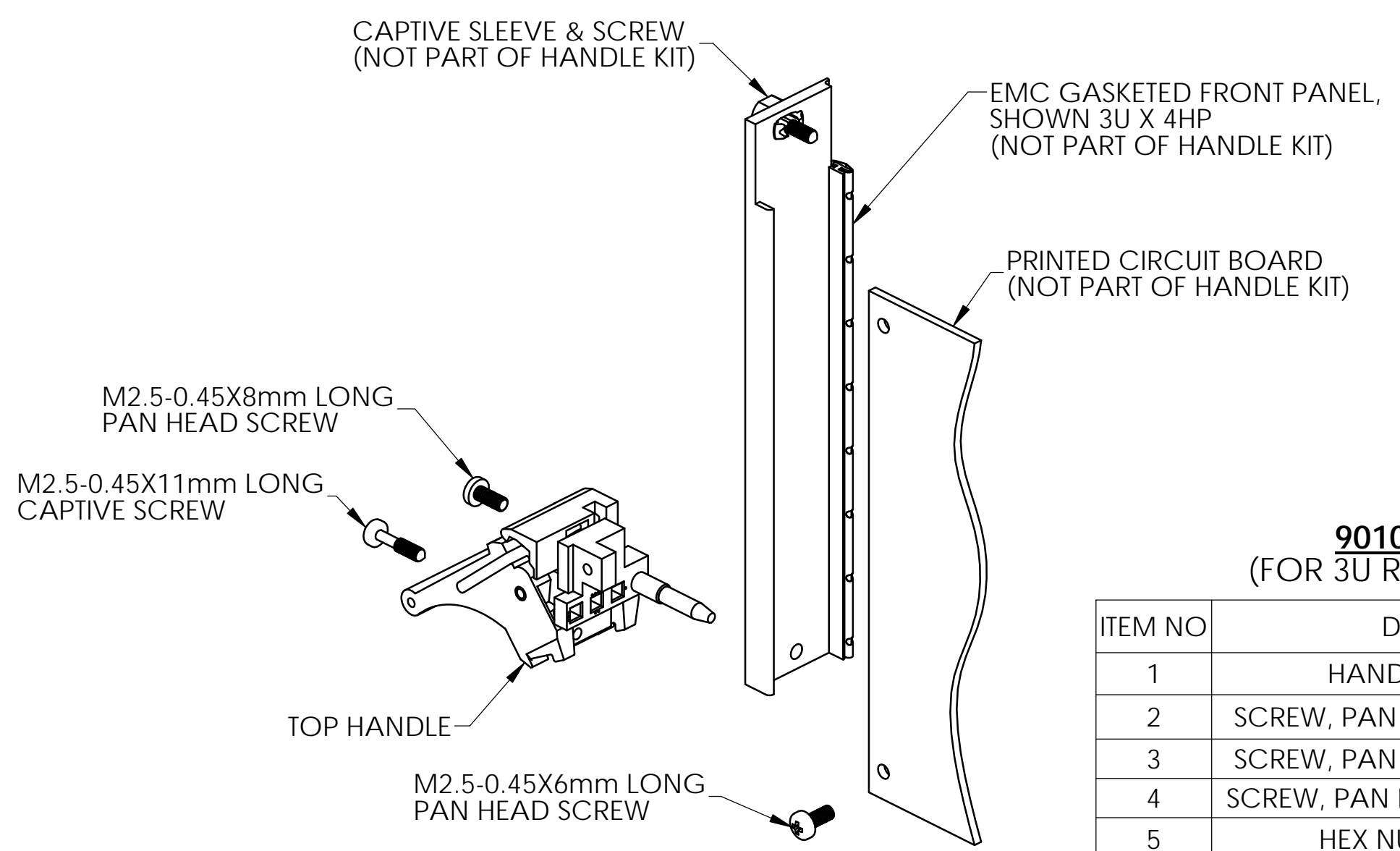
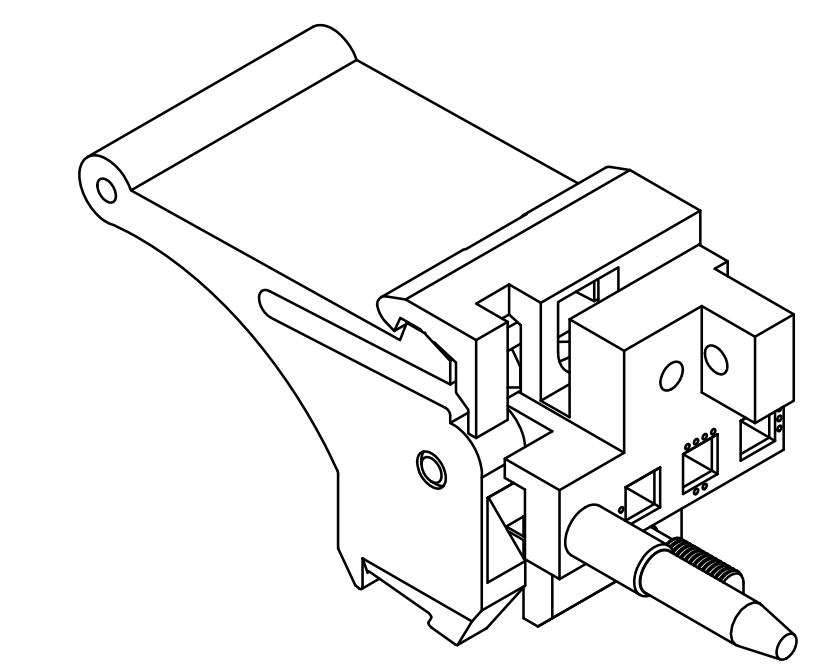
**90100016 PARTS LIST  
(FOR 6U OR 9U FRONT PANEL ASSEMBLY)**

ITEM NO	DESCRIPTION	QTY	U/M
1	HANDLE, BOTTOM, TYPE IV	1	EACH
2	HANDLE, TOP, TYPE IV	1	EACH
3	L-BRACKET, METAL	1	EACH
4	SCREW, PAN HEAD, M2.5-0.45X6mm	5	EACH
5	SCREW, PAN HEAD, M2.5-0.45X8mm	1	EACH
6	SCREW, FLAT HEAD, M2.5-0.45X8mm	1	EACH



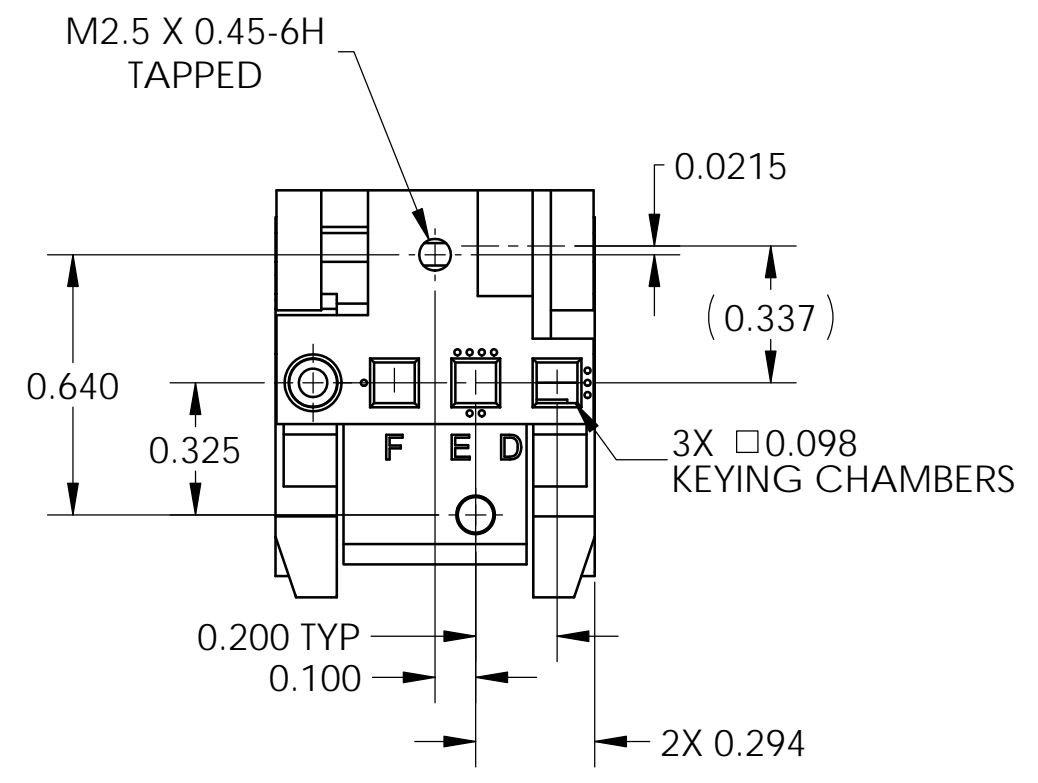
**90100002-1 PARTS LIST  
(FOR 3U FRONT PANEL ASSEMBLY)**

ITEM NO	DESCRIPTION	QTY	U/M
1	HANDLE, BOTTOM, TYPE IV	1	EACH
2	SCREW, PAN HEAD, M2.5-0.45X6mm	1	EACH
3	SCREW, PAN HEAD, M2.5-0.45X8mm	1	EACH
4	SCREW, PAN HEAD, M2.5-0.45X10mm	2	EACH
5	HEX NUT, M2.5X0.45-6H	2	EACH
6	SCREW, CAPTIVE, M2.5-0.45X11mm	2	EACH
7	WASHER, SPLIT LOCK, #3	2	EACH



**90100002 PARTS LIST  
(FOR 3U RTM PANEL ASSEMBLY)**

ITEM NO	DESCRIPTION	QTY	U/M
1	HANDLE, TOP, TYPE IV	1	EACH
2	SCREW, PAN HEAD, M2.5-0.45X6mm	1	EACH
3	SCREW, PAN HEAD, M2.5-0.45X8mm	1	EACH
4	SCREW, PAN HEAD, M2.5-0.45X10mm	2	EACH
5	HEX NUT, M2.5X0.45-6H	2	EACH
6	SCREW, CAPTIVE, M2.5-0.45X11mm	2	EACH
7	WASHER, SPLIT LOCK, #3	2	EACH



**BOTTOM HANDLE DETAIL**

**EXPLODED VIEW  
3U RTM PLUG-IN CARD ASSEMBLY**

UNLESS OTHERWISE SPECIFIED  
 DIMENSIONS ARE IN INCHES  
 TOLERANCES:

DEC .XX	±0.1
DEC .XXX	±0.03
DEC .XXXX	±0.010
FRACTIONS	±0.050
ANGLES	±1°

THIRD ANGLE PROJECTION

MATERIAL

FINISH

NAME DATE  
 TRISHAR 08/31/12

VECTOR ELECTRONICS & TECHNOLOGY, INC. 11115 VANDERBILT  
 NORTH HOLLYWOOD, CA 91655

INJECTOR/EJECTOR  
 HANDLE, TYPE IV  
 1101.10

SIZE DWG. NO. REV  
 D IEL-TYPE-IV B

SCALE: 1:1 CAGE CODE: 82893 SHEET 1 OF 1