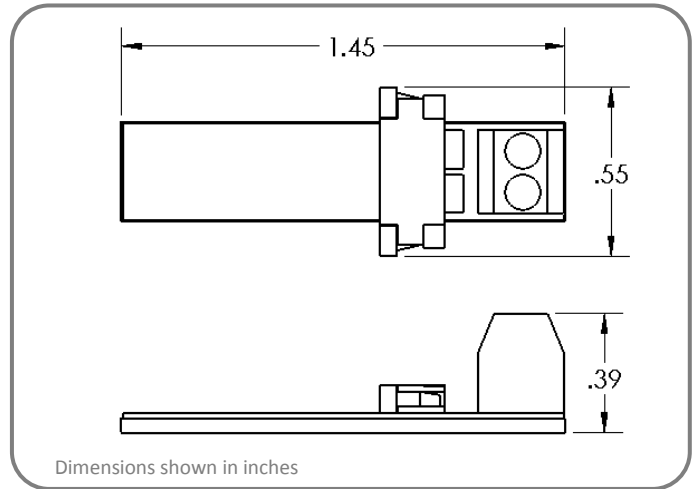
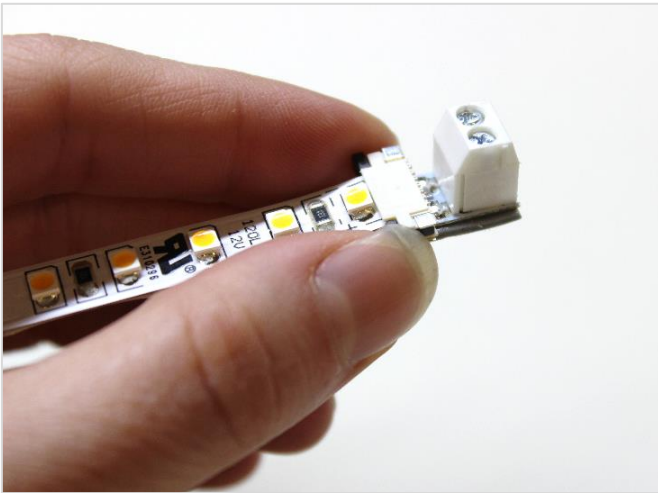


inspired LED **Mini Tiger Cub™ Screw Terminal**

Inspired LED's patented solderless **Tiger Paw™ Connectors** are the perfect solution for in-field LED system design and customization. These innovative accessories pair with LED flex strips for quick, convenient installation. Now, creating the perfect low-voltage lighting system is easier than ever, thanks to Inspired LED!



Product Specifications: (SKU# 3612)

- Solderless termination of 8mm LED flex strips to 18-22 AWG wire
- Max Load- 5 AMPs
- Industry proven locking system meets shock and vibration requirements for IEC 60068-2-27
- U.S. Patent No. 8,714,772

Instructions:

- 1** Use scissors to cut LED strip to length along copper solder pads, ONLY (located ever 3 LEDs)
- 2** Take hold of black sliding latch and pull outward to open
- 3** Peel back adhesive lining on LED strip
- 4** Taking note of (+) polarity of LEDs, insert flex strip into gap between black sliding latch and beige bridge piece
- 5** Make sure LED strip is centered and fully inserted before sliding black latch firmly closed and pressing on adhesive
- 6** Use small screw driver to loosen screws on the top of connector piece
- 7** Strip cable back ¼" to expose (+) and (-) wire, (if using Inspired LED cable, white writing indicates positive polarity)
- 8** Insert wire (matching polarity of flex) tighten screws and connect to class 2 power source to verify connections, then install LED flex strips as needed

Troubleshooting: If LEDs are flickering, double check connection to be sure flex is fully inserted and secured, if no lights turn on check to be sure polarities are properly matched

