

This drawing involves proprietary design rights of Tyco Electronics Corporation, and all design, manufacture, reproduction, use and sale rights regarding the same are expressly reserved. It is submitted for a specific purpose and the recipient by accepting this drawing, assumes custody and control and agrees to take reasonable precautions; (a) that this drawing will not be copied and reproduced, in whole or in part, or its contents revealed in any manner, or to any person except to meet the purpose for which it was delivered and (b) that any special features peculiar to this design will not be incorporated in other projects without the expressed written permission of Tyco Electronics Corporation.

REVISIONS			
EC	REV	DESCRIPTION	DATE
—	A	NEW RELEASE	06/15/05

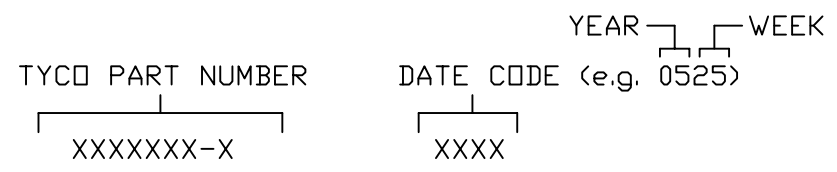
NOTES: UNLESS OTHERWISE SPECIFIED;

1. PART NUMBER CHANGES AND OR DESIGN CHANGES AFFECTING ITEM INTERCHANGEABILITY REQUIRE PRIOR ELCON APPROVAL AND AUTHORIZATION BY REVISION TO THIS DRAWING.

2. MATERIALS:
 INSULATORS: THERMOPLASTIC, GLASS REINFORCED, COLOR-BLACK, UL94V-0 FLAMMABILITY RATED.
 POWER CONTACTS: PHOSPHOR BRONZE ALLOY COPPER ALLOY
 CROWN BANDS: BERYLLIUM COPPER ALLOY

3. FINISHES:
 CONTACTS: SELECTIVE GOLD PER MIL-G-45204, TYPE II, CLASS 0, .000030" MIN. THK, OVER NICKEL PER QQ-N-290, CLASS 2, .000050" MIN. THICK.
 PCB TERMINATION: TIN PLATED PER ASTM B-545, .000120" MIN THICK OVER NICKEL PER QQ-N-290

4. ITEMS PROVIDED TO THIS SPECIFICATION TO BE PERMANENTLY IDENTIFIED PER THE FOLLOWING IDENTIFIER:



5. SEE DRAWING C-6646440, C-6646441 FOR MATING SOCKET CONNECTOR.

6. CONNECTOR INFORMATION

CONNECTOR	TYCO PART NUMBER	CATALOG MODULE #	TYPE	SIZE NO.	CONTACT QTY	MATING PIN	MAX CURRENT (PER CONTACT)	CONTACT SPACING	VOLTAGE RATING*
PIN	6648099-1	FP0815	DEDICATED HOUSING	8	3	1.25 X 7.00 [.049 X .276]	35 AMPERES	7.50 [.2953]	250 VOLTS

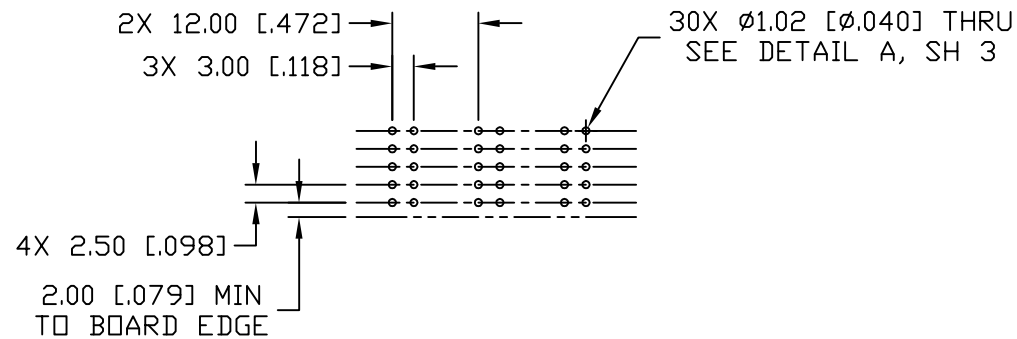
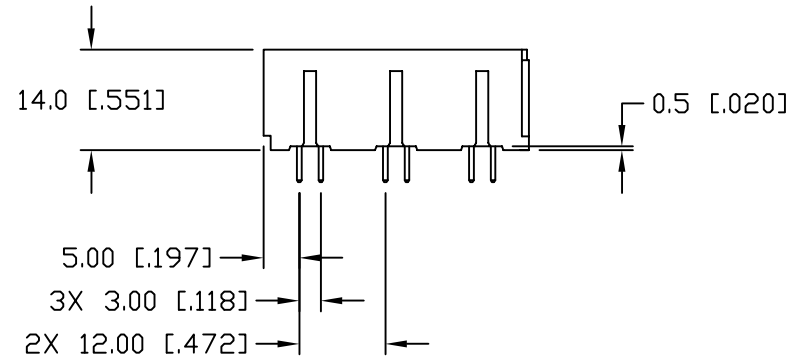
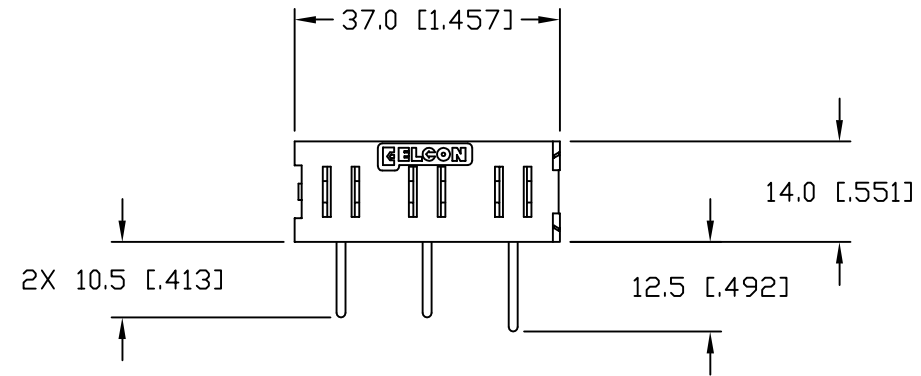
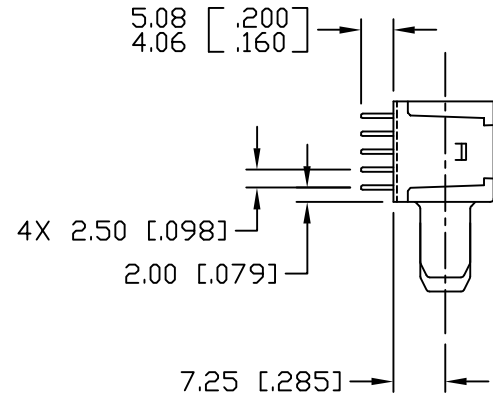
*IAW IEC-950

<p>THIRD ANGLE PROJECTION</p> <p>UNLESS OTHERWISE SPECIFIED DIMENSIONS ARE IN METRIC [INCHES]</p> <p>TOLERANCES</p> <p>ANGLES ± .5°</p> <p>DECIMALS</p> <p>.XX ± .25 [.010]</p> <p>.X ± .5 [.020]</p>	<p>MM OR MM [INCH]</p> <p>INCH</p>	<p>DRAWN</p> <p>M.C.CANT/H. NGUYEN</p>	<p>DATE</p> <p>06/04/05</p>	<p>tyco Tyco Electronics Corporation Electronics Menlo Park, Ca 94025</p>	<p>ELCON</p>
	<p>CHECKED</p>		<p>TITLE</p> <p>CONNECTOR, PIN, RIGHT ANGLE STANDARD SOLDER TAILS ONE-PIECE BLADE, FLATPAQ</p>		
	<p>APPROVED</p>		<p>APPROVED</p> <p>D. CHAU</p> <p>06/28/05</p>		<p>SIZE DWG NUMBER</p> <p>B C = 6648099</p>
	<p>APPROVED</p> <p>M. ALIM</p> <p>06/28/05</p>		<p>ACAD FILE NUMBER</p> <p>C6648099A.DWG</p>		<p>REV.</p> <p>A</p>
				<p>DWG SCALE 1=1</p>	<p>SH 1 OF 3</p>

This drawing involves proprietary design rights of Tyco Electronics Corporation, and all design, manufacture, reproduction, use and sale rights regarding the same are expressly reserved. It is submitted for a specific purpose and the recipient by accepting this drawing, assumes custody and control and agrees to take reasonable precautions; (a) that this drawing will not be copied and reproduced, in whole or in part, or its contents revealed in any manner, or to any person except to meet the purpose for which it was delivered and (b) that any special features peculiar to this design will not be incorporated in other projects without the expressed written permission of Tyco Electronics Corporation.

REVISIONS

EC	REV	DESCRIPTION	DATE
		SEE SHEET 1	

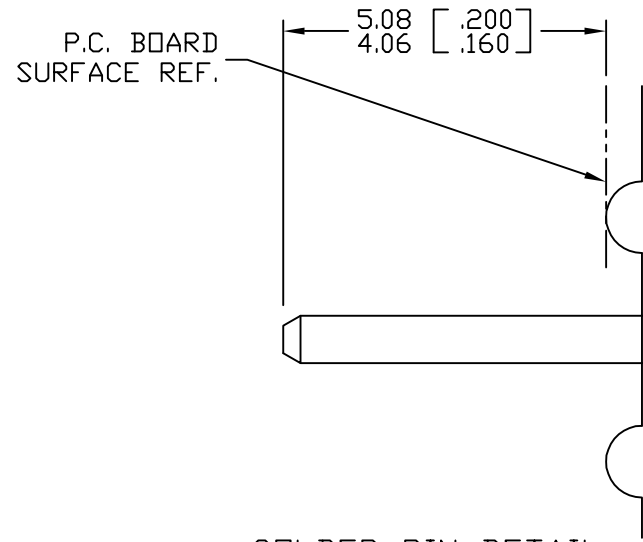


PRINTED CIRCUIT BOARD LAYOUT

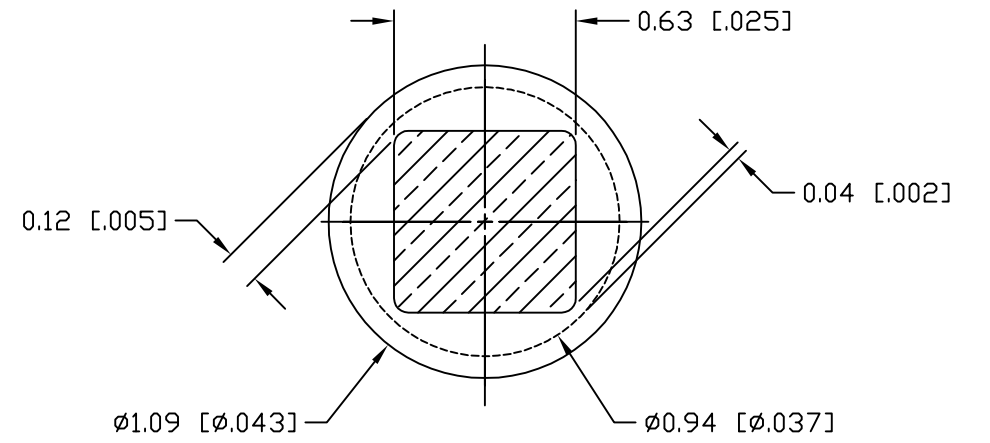
<p>MM OR MM [INCH]</p> <p>THIRD ANGLE PROJECTION</p> <p>UNLESS OTHERWISE SPECIFIED DIMENSIONS ARE IN METRIC [INCHES]</p> <p>TOLERANCES</p> <p>ANGLES ± .5°</p> <p>DECIMALS</p> <p>.XX ± .25 [.010]</p> <p>.X ± .5 [.020]</p>	<p>DRAWN</p> <p>M.C.CANT/H. NGUYEN</p>	<p>DATE</p> <p>06/04/05</p>	<p>tyco Tyco Electronics Corporation ELCON Menlo Park, Ca 94025</p>		
	<p>CHECKED</p>		<p>TITLE</p> <p>CONNECTOR, PIN, RIGHT ANGLE STANDARD SOLDER TAILS ONE-PIECE BLADE, FLATPAQ</p>		
	<p>APPROVED</p>		<p>SIZE</p> <p>B</p>	<p>DWG NUMBER</p> <p>C = 6648099</p>	<p>REV.</p> <p>A</p>
	<p>APPROVED</p> <p>D. CHAU</p> <p>06/28/05</p> <p>DCA APPROVED</p> <p>M. ALIM</p> <p>06/28/05</p> <p>ACAD FILE NUMBER C6648099A.DWG</p>	<p>DWG SCALE 1=1</p>	<p>SH 2 OF 3</p>		

This drawing involves proprietary design rights of Tyco Electronics Corporation, and all design, manufacture, reproduction, use and sale rights regarding the same are expressly reserved. It is submitted for a specific purpose and the recipient by accepting this drawing, assumes custody and control and agrees to take reasonable precautions; (a) that this drawing will not be copied and reproduced, in whole or in part, or its contents revealed in any manner, or to any person except to meet the purpose for which it was delivered and (b) that any special features peculiar to this design will not be incorporated in other projects without the expressed written permission of Tyco Electronics Corporation.

REVISIONS			
EC	REV	DESCRIPTION	DATE
		SEE SHEET 1	



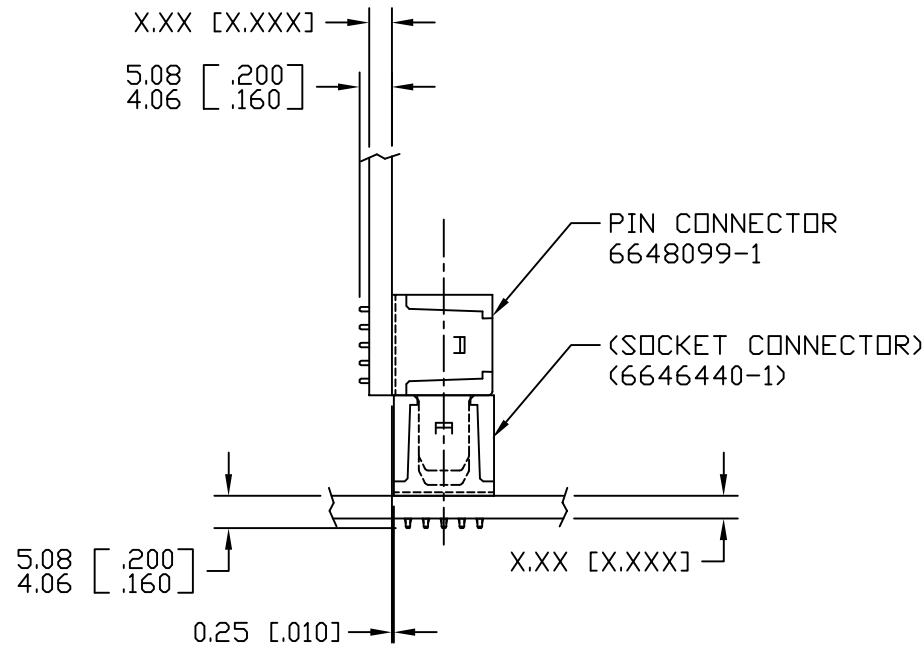
SOLDER PIN DETAIL
SCALE: 10 : 1



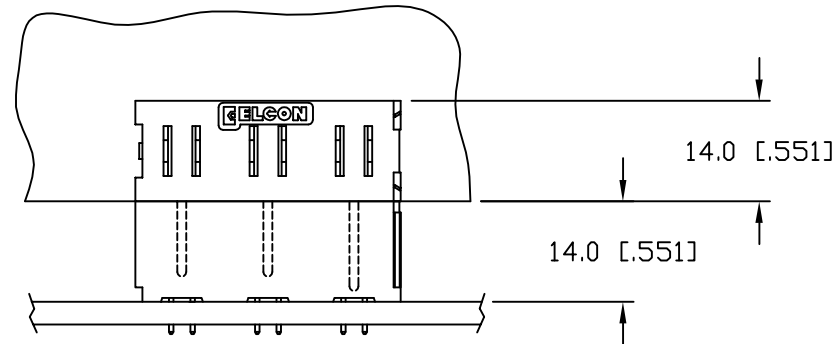
SOLDER TERMINATION AREA

SCALE: 40 : 1
RECOMMENDED PRINTED CIRCUIT HOLE
FINISHED HOLE: ø1.02 [.040] ± 0.08 [.003]
DRILLED HOLE: ø1.15 [.0453] ± 0.013 [.0005]
COPPER PLATE: 0.025 [.0010] MINIMUM (PER SURFACE)
TIN PLATE: 0.008 [.0003] MINIMUM (PER SURFACE)

DETAIL A



MATED CONDITION



MM INCH OR MM [INCH] THIRD ANGLE PROJECTION UNLESS OTHERWISE SPECIFIED DIMENSIONS ARE IN METRIC [INCHES] TOLERANCES ANGLES ± .5° DECIMALS .XX ± .25 [.010] .X ± .5 [.020]	DRAWN M.C.CANT/H. NGUYEN	DATE 06/04/05	tyco Tyco Electronics Corporation Electronics Menlo Park, Ca 94025 ELCON
	CHECKED	APPROVED	
	APPROVED D. CHAU	06/28/05	SIZE DWG NUMBER B C = 6648099
	DCA APPROVED M. ALIM	06/28/05	REV. A
	ACAD FILE NUMBER C6648099A.DWG		DWG SCALE 1=1 SH 3 OF 3