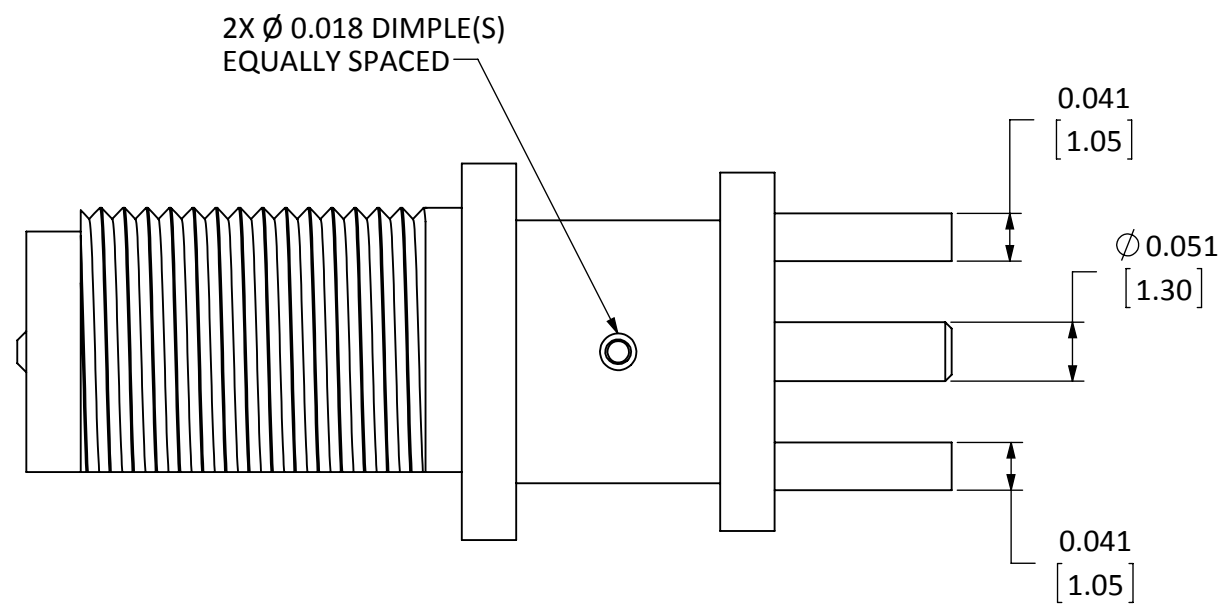
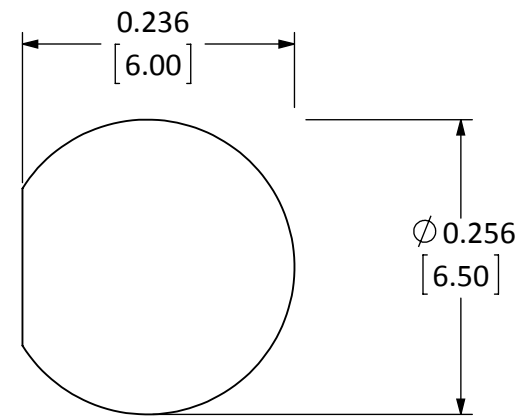


DESCRIPTION	MATERIAL	FINISH
BODY	BRASS	NICKEL
PIN	BRASS	GOLD
INSULATION	PTFE	N/A
WASHER	BRASS	NICKEL
NUT	BRASS	NICKEL

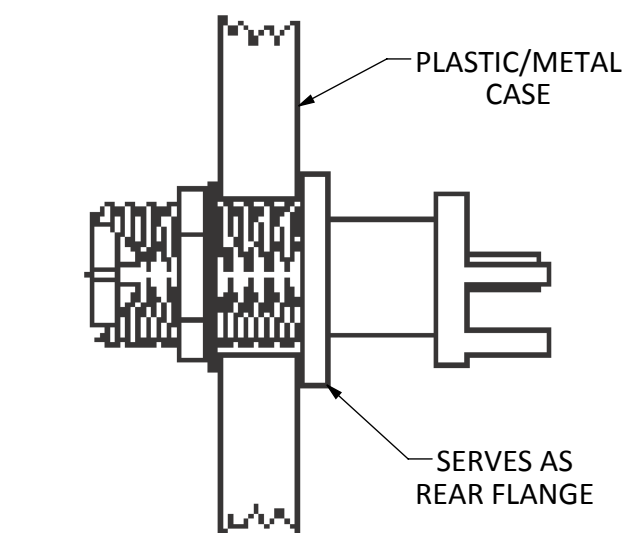
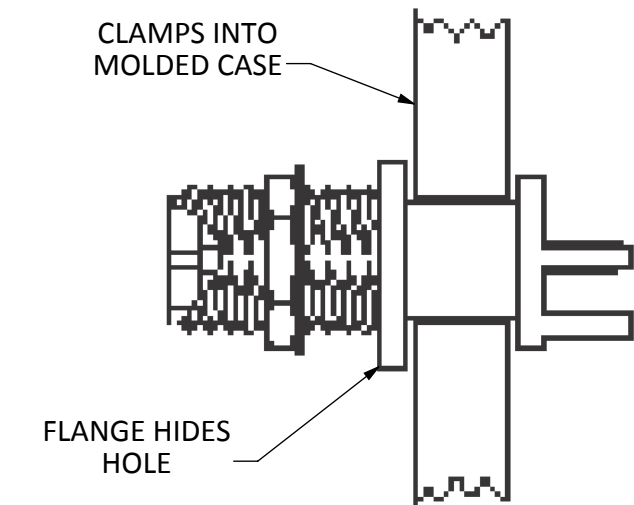
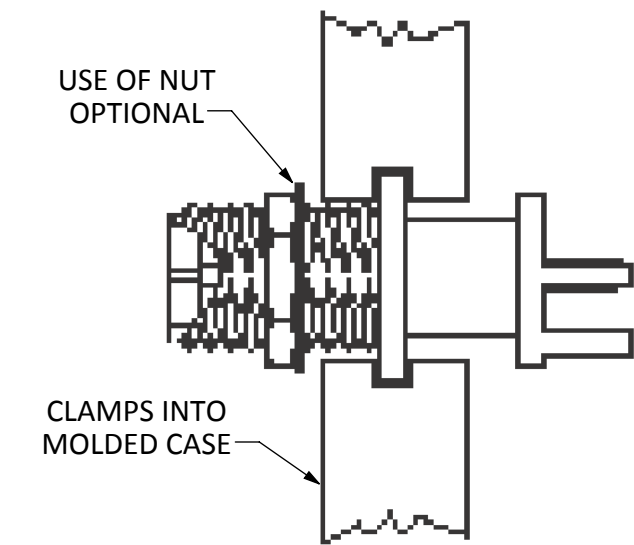
REVISIONS			
REV	DESCRIPTION	DATE	APPV
B	UPDATED FOOTPRINT AND DIMENSIONS; ADDED NEW TITLE BLOCK	29-JUN-12	SAH
C	ADDED DIMPLE TO PART	24-MAY-13	SAH



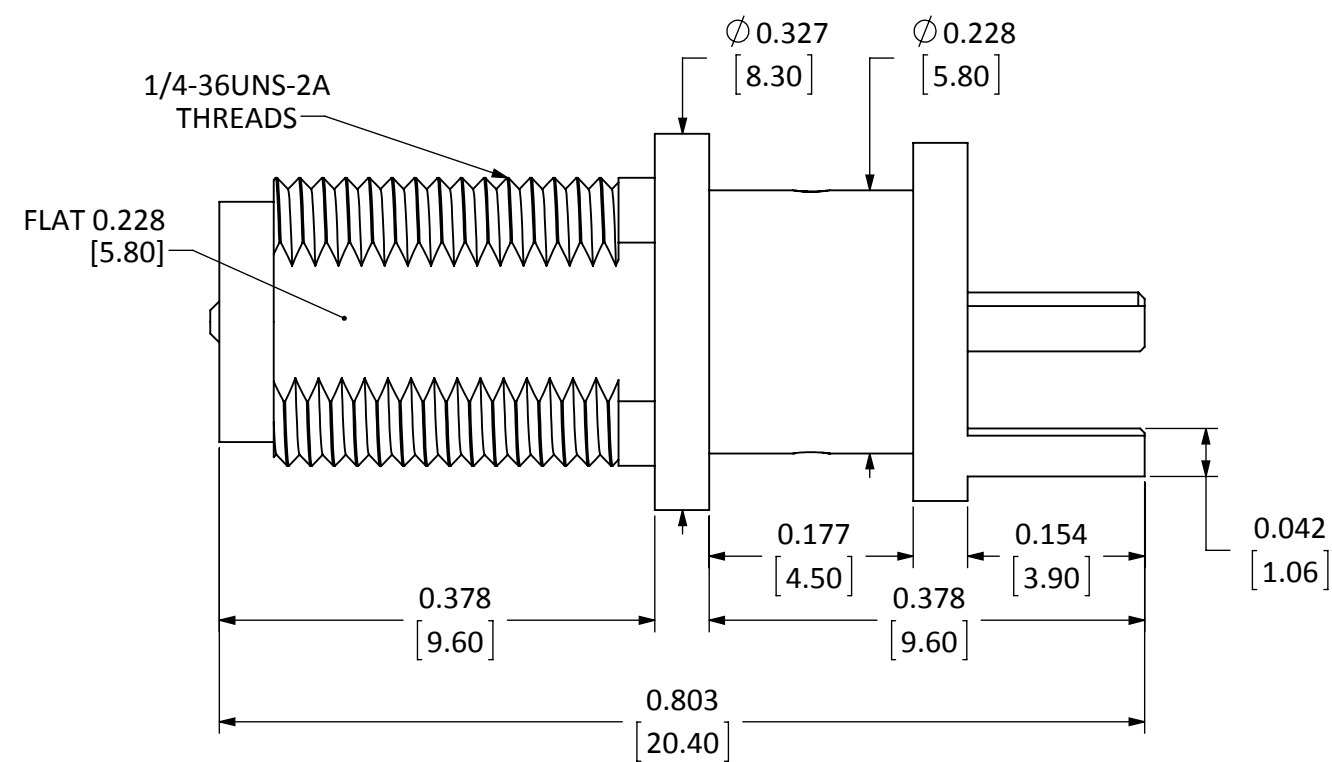
TOP VIEW



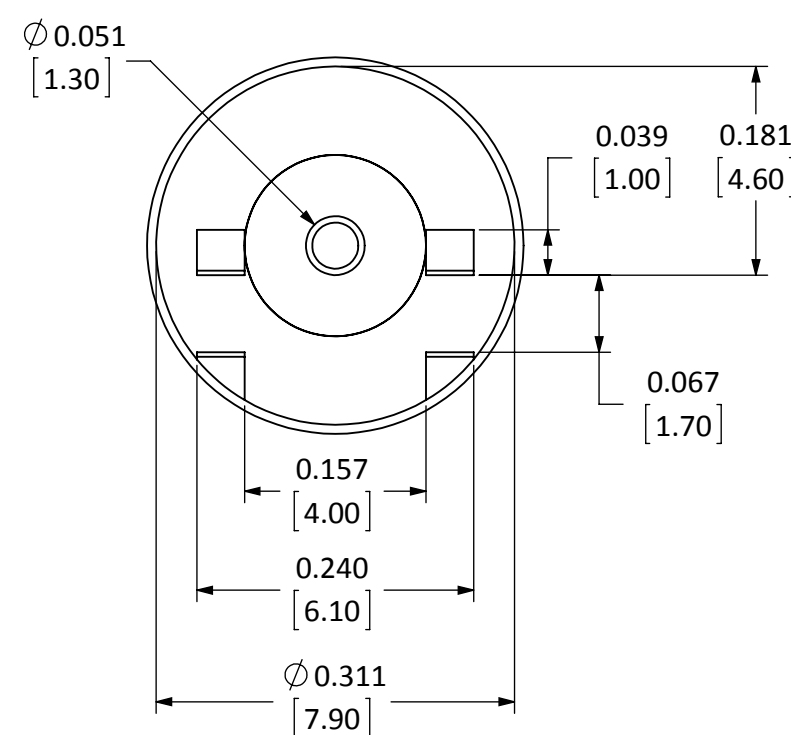
RECOMMENDED MOUNTING HOLE



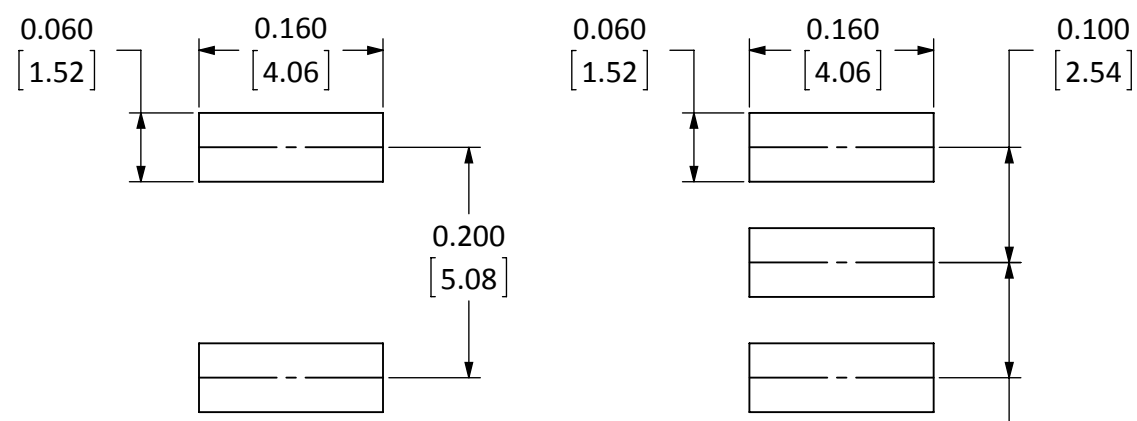
MOUNTING METHODS



SIDE VIEW



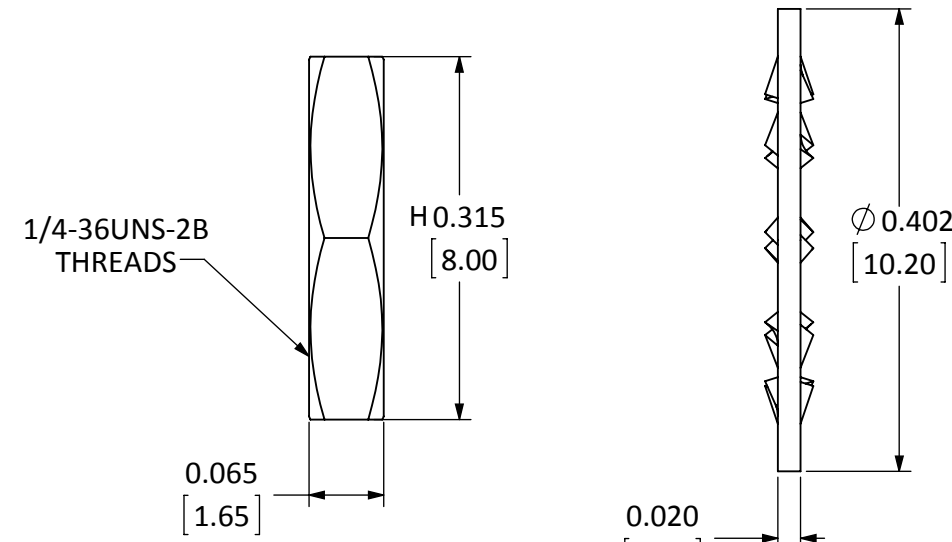
BACK VIEW



BOTTOM

TOP

RECOMMENDED FOOTPRINT



NUT

WASHER

- NOTES: (UNLESS OTHERWISE SPECIFIED)
1. ALL DIMENSIONS ARE IN INCHES [mm].
 2. DIMENSIONS APPLY AFTER FINISHING.
 3. MANUFACTURE TO BE COMPLIANT WITH EU RoHS DIRECTIVE.
 4. SAFETY BREAK ALL SHARP CORNERS AND EDGES .02 MAXIMUM.

WARNING: THIS DRAWING CONTAINS PROPRIETARY INFORMATION THAT IS THE SOLE PROPERTY OF LINX TECHNOLOGIES, AND SHALL BE TREATED AS SUCH. NO DISCLOSURE OR REPRODUCTION OF THIS DOCUMENT IS PERMITTED, IN WHOLE OR IN PART, WITHOUT THE EXPRESS WRITTEN PERMISSION OF LINX TECHNOLOGIES OR ITS DESIGNATED AGENTS.

Linx 159 ORT LANE
MERLIN, OR 97532

TITLE: **RP-SMA FEM EDGE MULTI-MOUNT FOR 0.062" BOARD**

MATERIAL: INTERPRET DIMENSIONS AND TOLERANCES PER ASME Y14.5. SURFACE FINISH: ✓ ANGLER: ±1° TOLERANCES: .X ±.1 .XX ±.01 .XXX ±.005

FINISH: DRAWN: B.MURPHY DT: 14-MAY-13 ENGR: S.HOGAN DT: 24-MAY-13

PROJECTION: SIZE DWG. NO. **C** CONREVSMA006.062 REV **C**

SCALE: 6:1 DO NOT SCALE DRAWING SHEET 1 OF 1