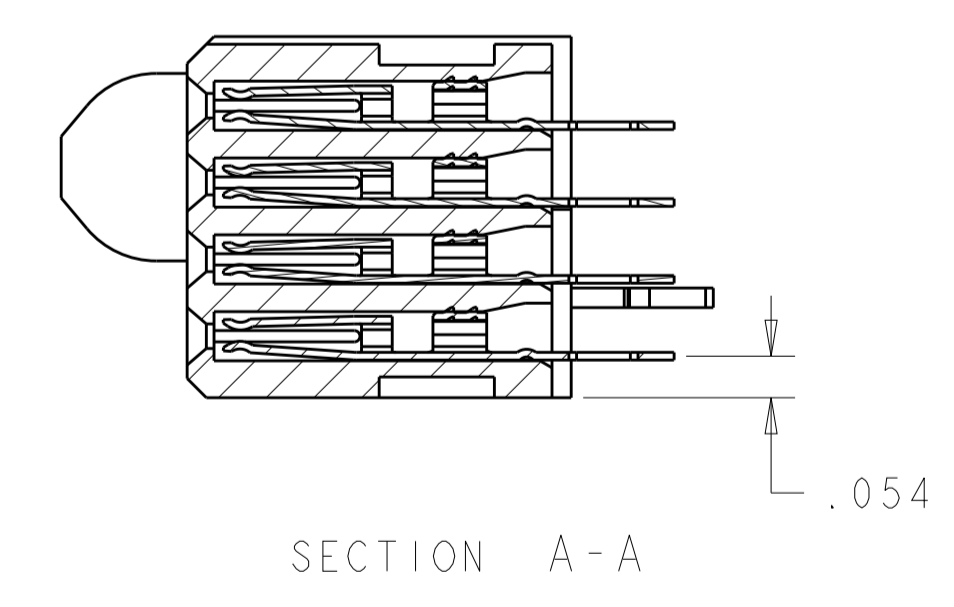
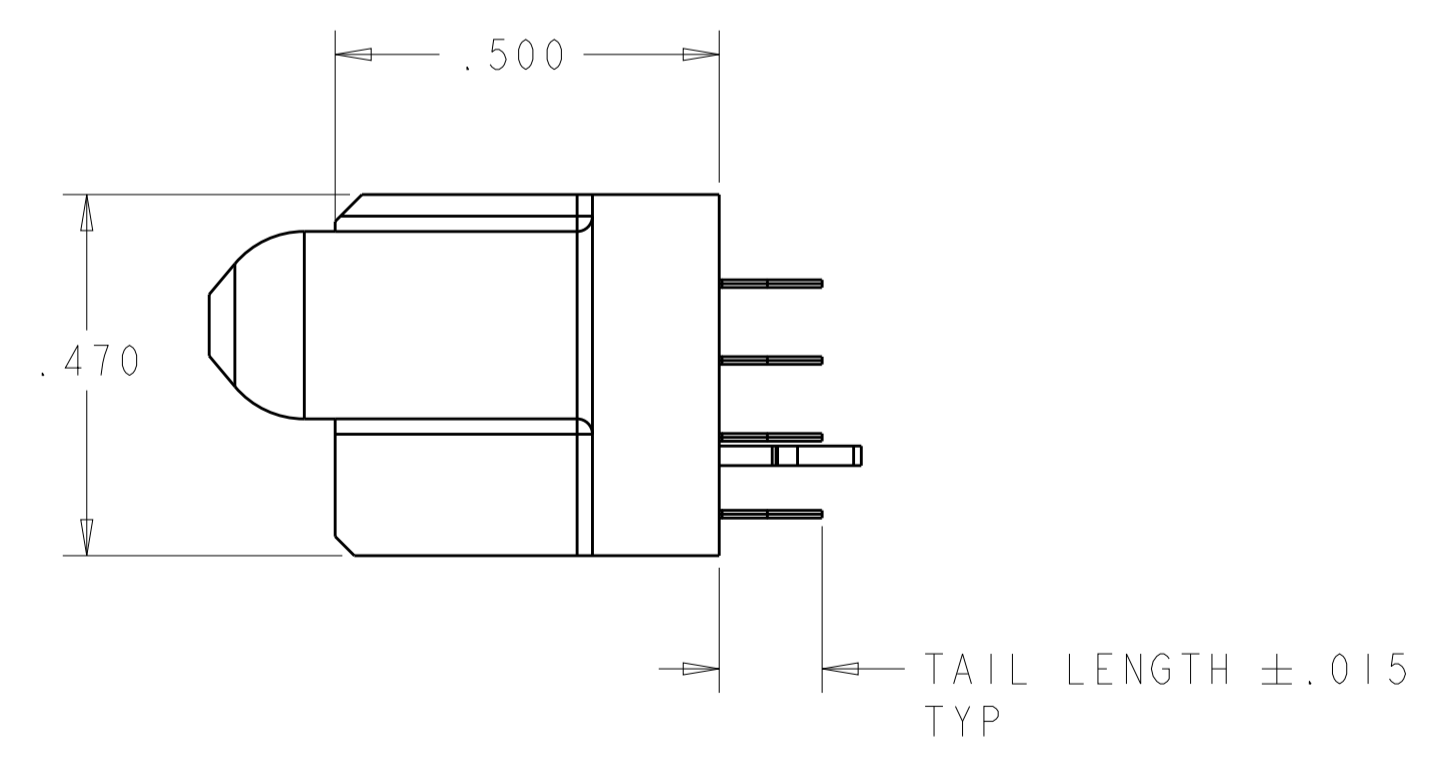
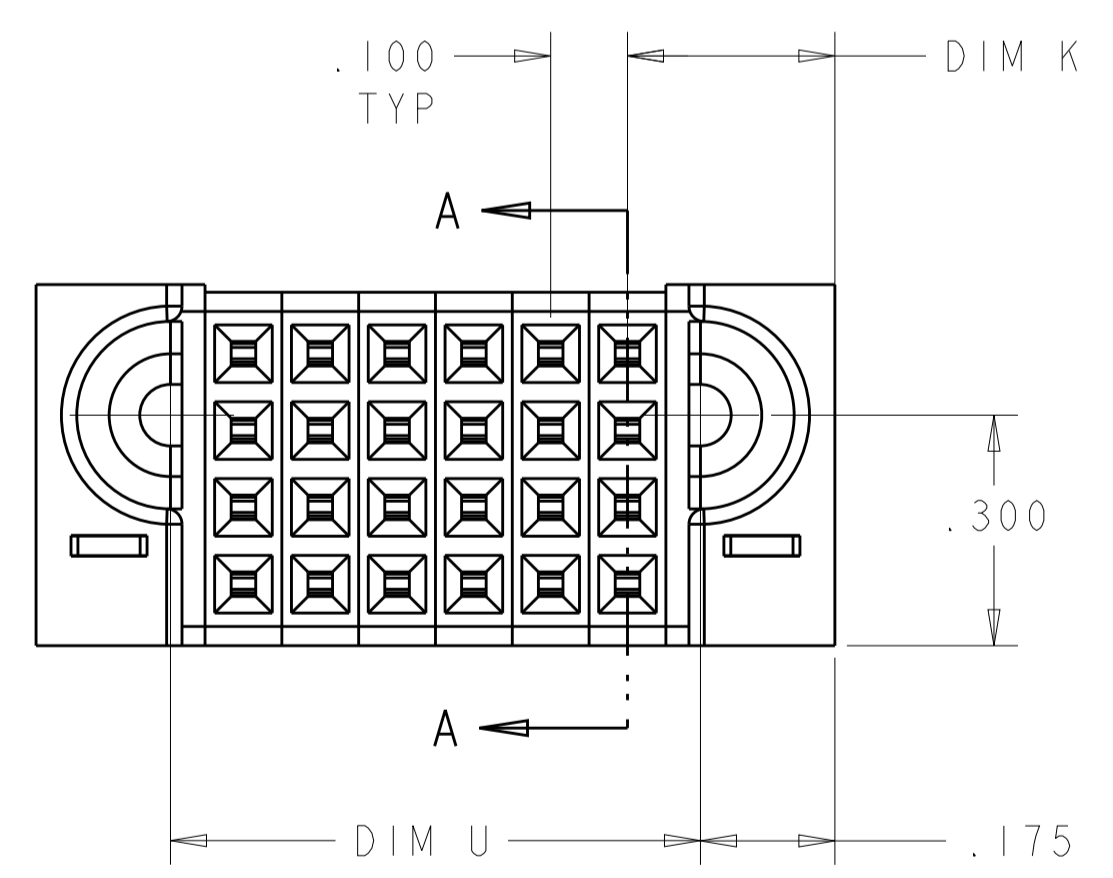
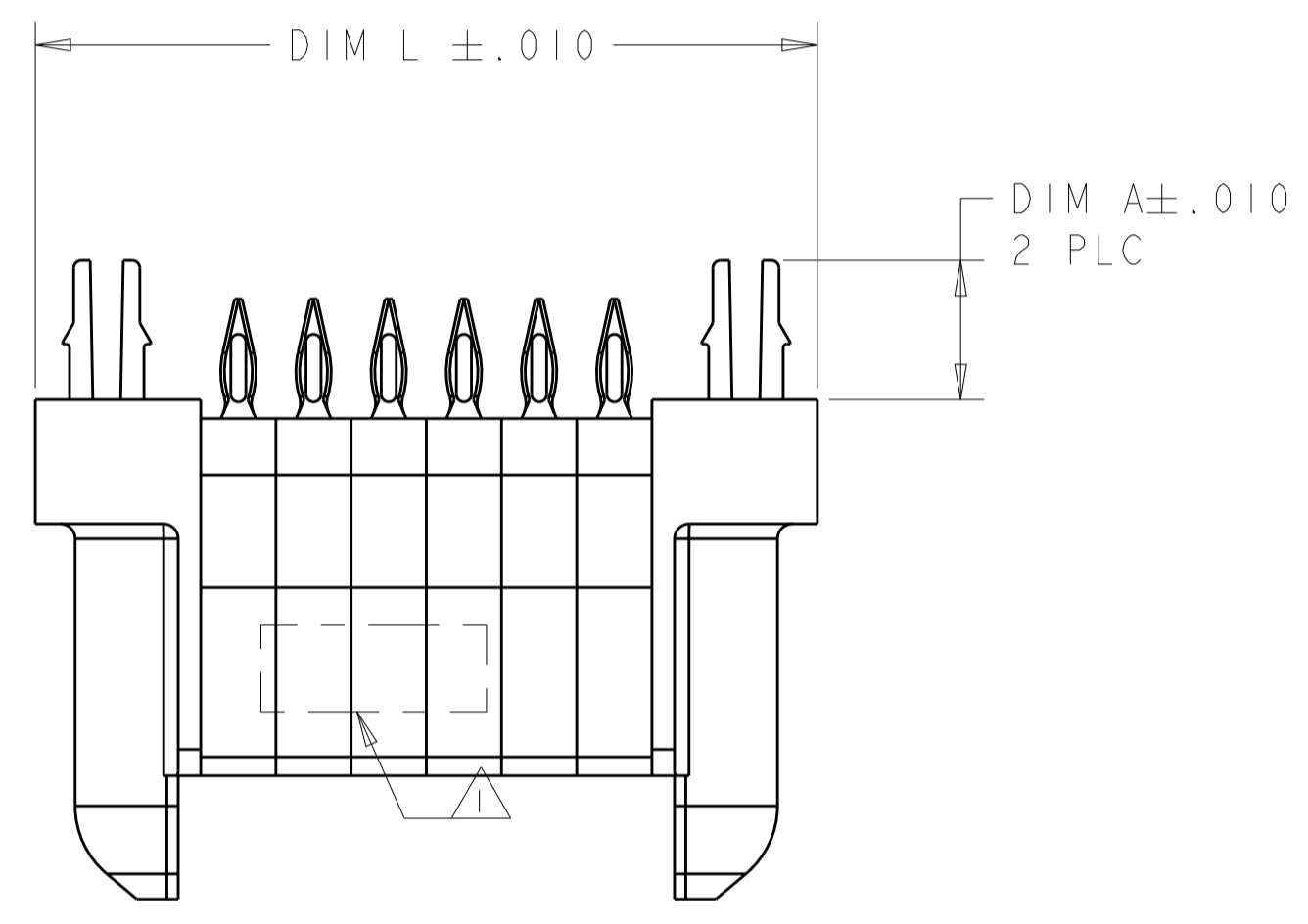
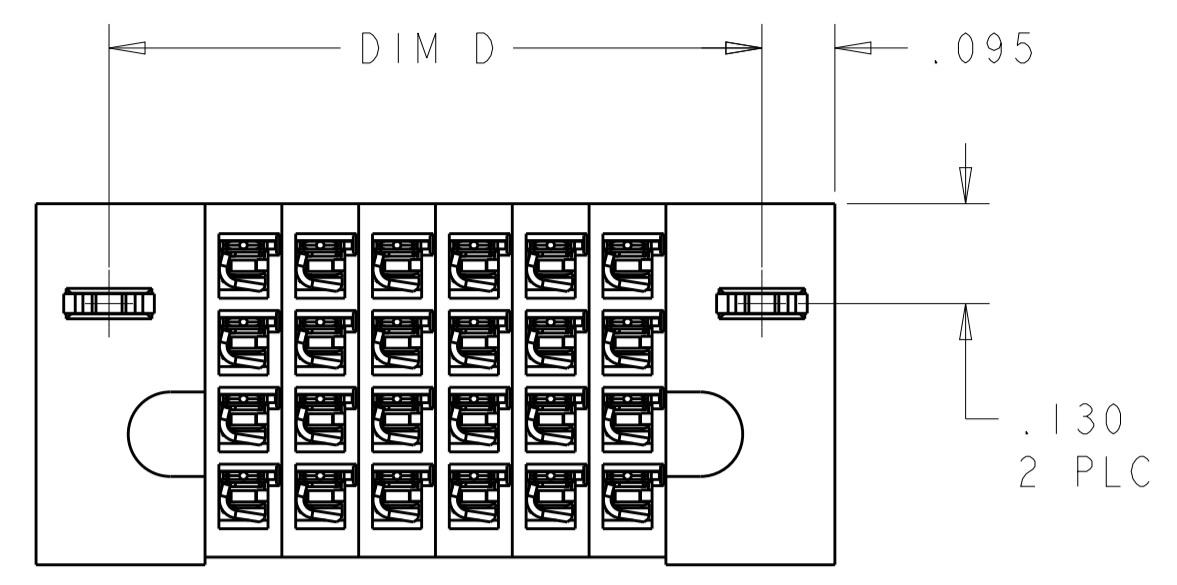


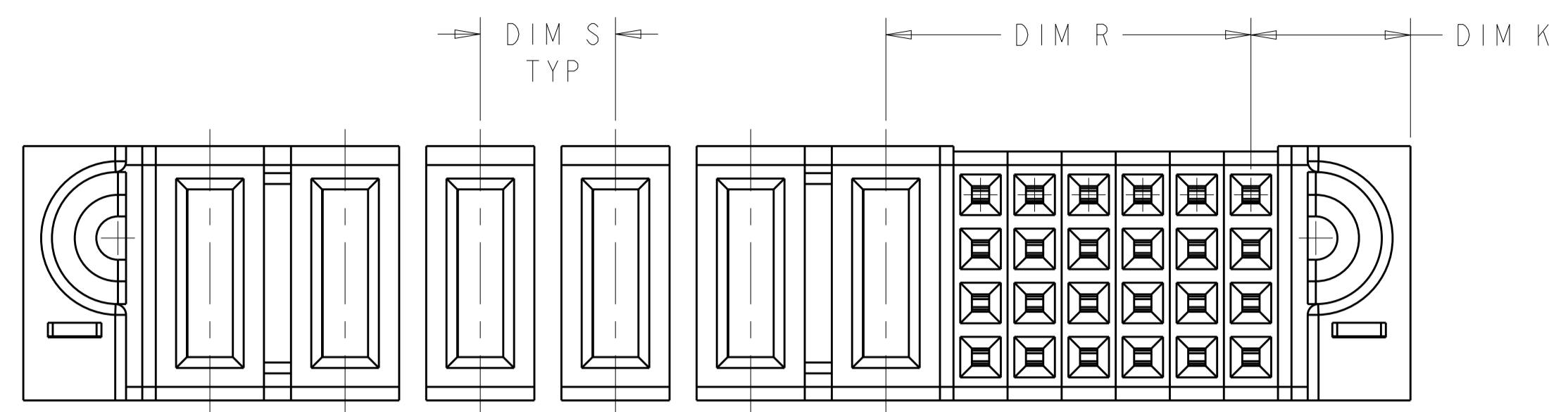
LOC	DIST	REVISIONS					
		P	LTN	DESCRIPTION	DATE	DMN	APVD
ES	00	G5		ADD NEW DASH NUMBER 1-8	11AUG2014	AL	SZ



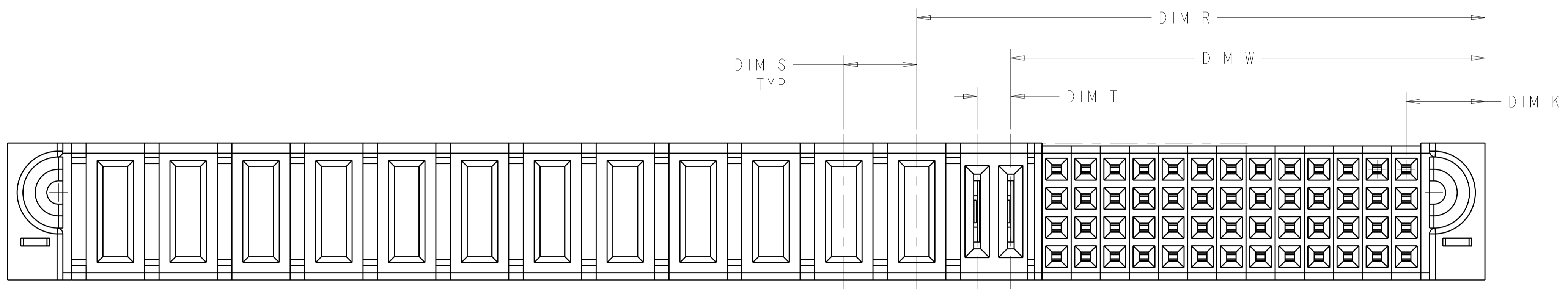
- 1 "AMP", PART NUMBER AND DATE CODE TO BE MARKED IN AREA SHOWN PARTS UNDER 2.00 LONG MAY BE MARKED ON BOTH SIDES
- 2 MATERIAL: HOUSING - GLASS FILLED HIGH TEMP THERMO PLASTIC, UL94 V-0
 SIGNAL CONTACT - HIGH CONDUCTIVITY COPPER ALLOY
 POWER CONTACT - HIGH CONDUCTIVITY COPPER ALLOY
- 3 CONTACT PLATING: NOBLE METAL PLATING ON CONTACT FUNCTIONAL AREA OF POWER AND SIGNAL CONTACTS
- 4 MECHANICAL CONNECTOR KEEP OUT ZONE
- 5 DATUM AND BASIC DIMENSIONS ESTABLISHED BY CUSTOMER
- 6 PCB - ALL HOLE DIAMETERS ARE FINISHED HOLE SIZES
- 7 PCB - 0.0453 ±.0010 DRILLED HOLES PLATED WITH .0003 MIN Sn OVER .001 TO .003 Cu PLATING TO ACHIEVE A .040 ±.0030 HOLE
- 8 FOR "S+P" CONFIGURATION ,VARIABLE DIMENSIONS PLEASE REFER TO SHEET 2
- 9 FOR "S+LP+P" CONFIGURATION ,VARIABLE DIMENSIONS PLEASE REFER TO SHEET 2
- 10 VARIABLE DIMENSION REFER TO THE DIMENSION ON CORRRESPONDING MODEL UNDER THE PCB

THIS DRAWING IS A CONTROLLED DOCUMENT.		DMN C. ZHOU CHK S. ZHAO	20JUN2012 20JUN2012	TE Connectivity
DIMENSIONS: INCHES	TOLERANCES UNLESS OTHERWISE SPECIFIED:	APVD	NAME	
0 PLC ±. 1 PLC ±. 2 PLC ±. 3 PLC ±.005 4 PLC ±.0020 ANGLES ±.7°	PRODUCT SPEC 108-2292 APPLICATION SPEC 114-13251	VERTICAL RECEPTACLE ASSEMBLY WITH SHORT GUIDE, PRESS FIT MULTI-BEAM XLE		
MATERIAL	FINISH	WEIGHT	SIZE	RESTRICTED TO
			A100779C=6450861	
Customer Drawing		SCALE	SHEET	REV
		1:1	11	G5

LOC		DIST		REVISIONS				
ES	00	P	LTH	DESCRIPTION	DATE	DNW	APVD	
		-		SEE SHEET 1				



△ FOR "S + P" CONFIGURATION
 UNSPECIFIED DIMENSIONS REFER TO SHEET 1.



△ FOR "S + LP + P" CONFIGURATION
 UNSPECIFIED DIMENSIONS REFER TO SHEET 1.

DIM A	DIM T	DIM W	DIM S	DIM R	DIM L	DIM U	DIM D	DIM K	DESCRIPTION	PART NUMBER
.185	-	-	-	-	1.640	1.290	1.450	.270	48S	1-6450861-8
.128	-	-	△	.475 △	1.990	1.640	1.800	.270	16S + 4P	1-6450861-7
.185	-	-	-	-	.840	.490	.650	.270	16S	1-6450861-6
.185	-	-	.200 △	.675 △	1.865	1.515	1.675	.270	24S + 4P	1-6450861-5
.185	-	-	-	-	2.140	1.790	1.950	.320	64S	1-6450861-4
.185	-	-	.250 △	.475 △	3.840	3.490	3.650	.295	16S + 12P	1-6450861-3
.185	-	-	.300 △	.875 △	2.465	2.115	2.275	.320	32S + 4ACP	1-6450861-2
.185	-	-	.250 △	.475 △	3.340	2.990	3.150	.295	16S + 10P	1-6450861-1
.185	-	-	.250 △	.675 △	2.040	1.690	1.850	.270	24S + 4P	6450861-9
.185	-	-	.250 △	.475 △	1.440	1.090	1.250	.320	16S + 2P	6450861-8
.185	.115 △	1.6275 △	.250 △	1.950 △	5.070	4.720	4.880	.270	52S + 2LP + 12P	6450861-6
.185	-	-	.250 △	.675 △	3.065	2.715	2.875	.295	24S + 8P	6450861-5
.185	-	-	.250 △	.675 △	2.565	2.215	2.375	.295	24S + 6P	6450861-4
.185	-	-	.250 △	.675 △	2.565	2.215	2.375	.295	24S + 6P	6450861-3
.185	-	-	-	-	2.240	1.890	2.050	.270	72S	6450861-2
.185	-	-	-	-	1.040	.690	.850	.270	24S	6450861-1

THIS DRAWING IS A CONTROLLED DOCUMENT.

DNW: C. ZHOU
 CHK: S. ZHAO
 APVD: S. YAO

PRODUCT SPEC: 108-2292
 APPLICATION SPEC: 114-13058

SIZE: A1
 CAGE CODE: 6450861

SCALE: 4:1
 SHEET: 2 OF 11
 REV: 66

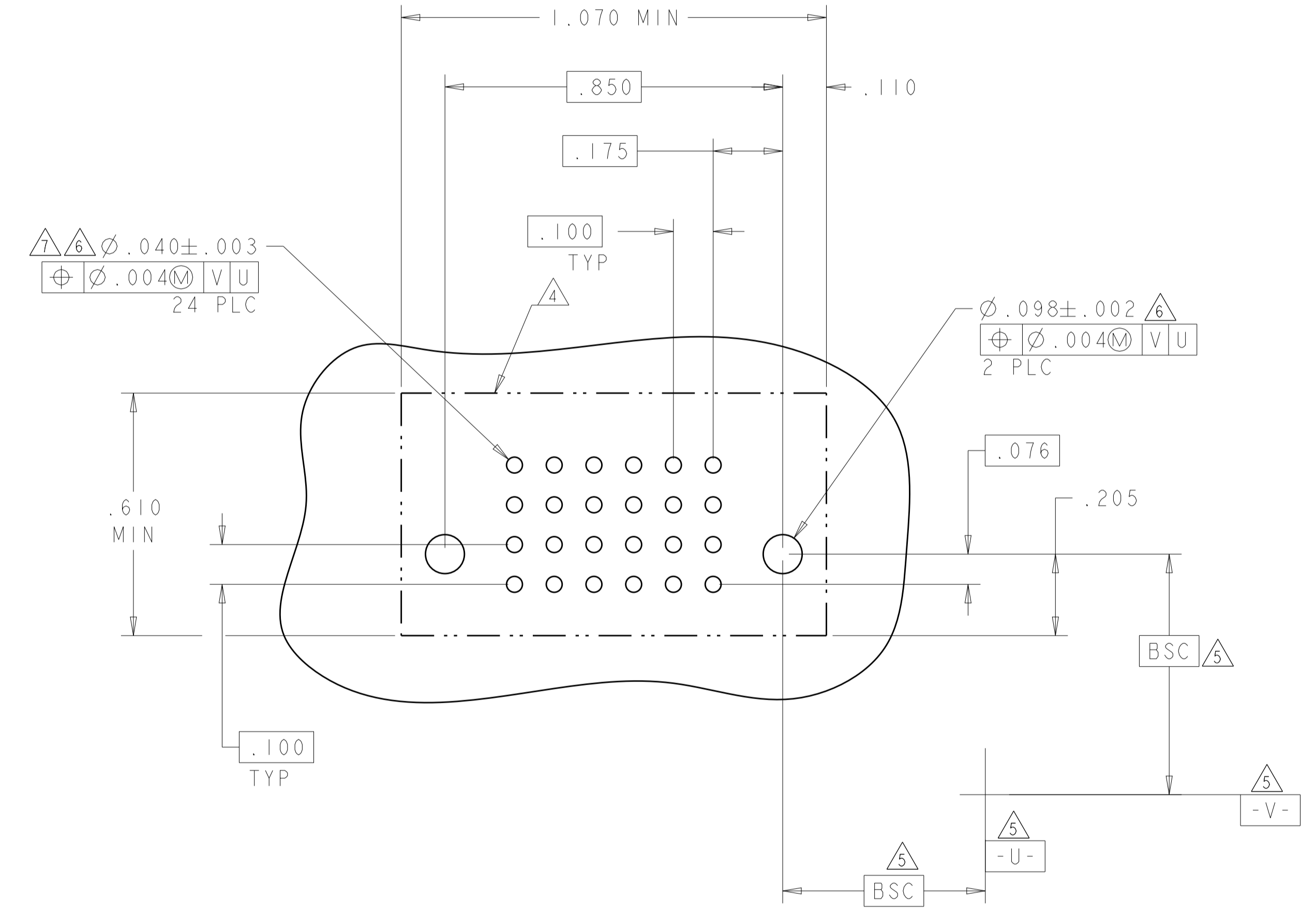
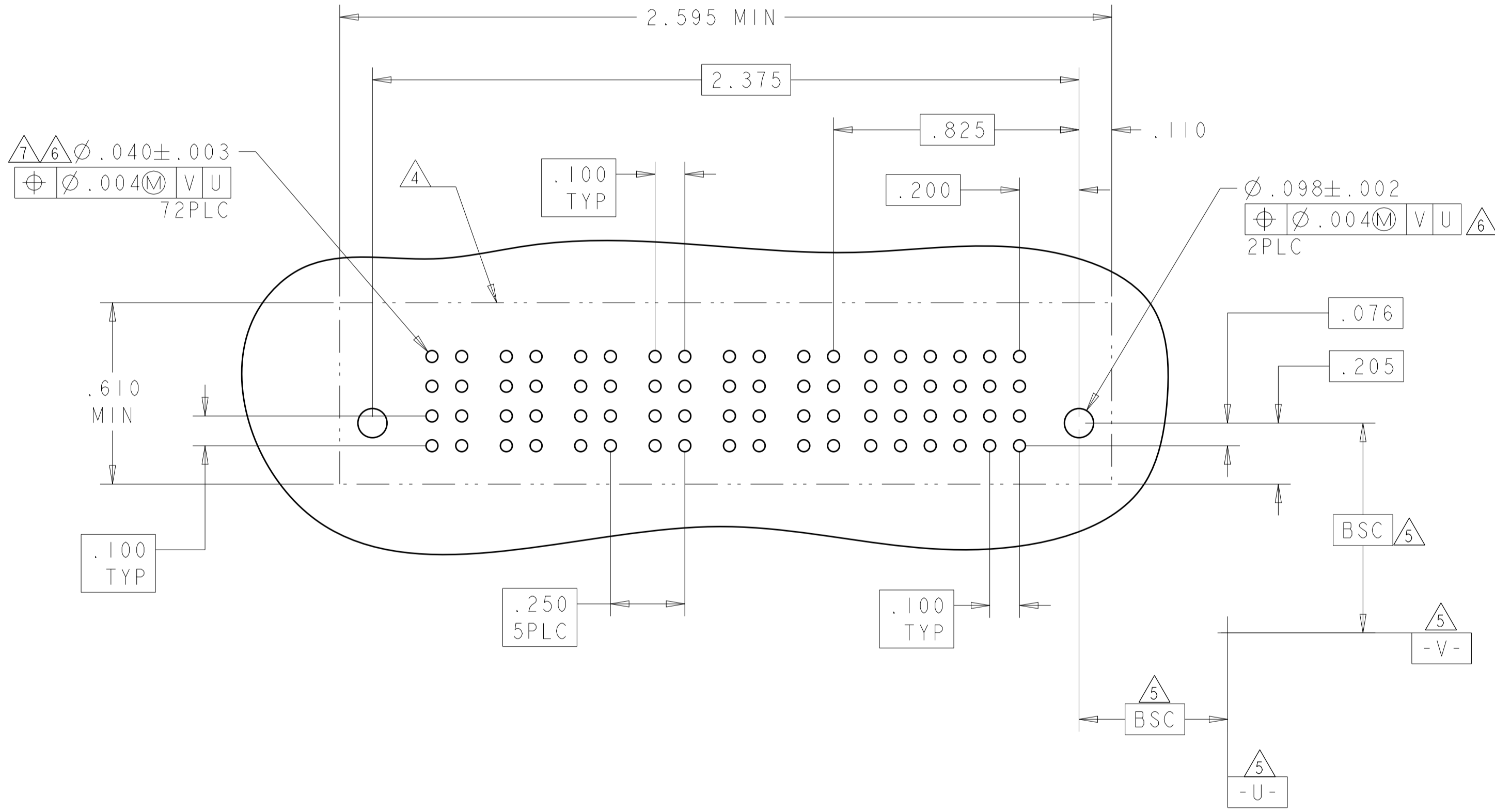
STE TE Connectivity

VERVIEWAREBERSSEMBASSEMBLY
 W WITH ISHFOR TOIGLIDESE,, HRESSSS FFIIT
 MULT I HLELAM HLELAM XLE

LOC	DIST	REVISIONS			
P	LTN	DESCRIPTION	DATE	DMN	APVD
ES	00	SEE SHEET 1			

PART NUMBER	ROWS	POWER					SIGNAL						
		P6	P5	P4	P3	P2	P1	6	5	4	3	2	1
6450861-3	D C B A	GS	GS	GS	GS	GS	AP	AP	AP	AP	AP	AP	
							AP	AP	AP	AP	AP	AP	
							AP	AP	AP	AP	AP	AP	
24S + 6P		HD											HD

PART NUMBER	ROWS	SIGNAL						
		6	5	4	3	2	1	
6450861-1	D C B A	AP	AP	AP	AP	AP	AP	
		AP	AP	AP	AP	AP	AP	
		AP	AP	AP	AP	AP	AP	
24S		HD						HD



CODE	CONTACT TABLE
HS	STD POWER PRESS FIT CONTACT .165"
BP	SIGNAL PRESS FIT CONTACT .165"
AP	SIGNAL PRESS FIT CONTACT .135"
GP	MFBL POWER PRESS FIT CONTACT .135"
GS	STD POWER PRESS FIT CONTACT .135"
CODE	TAIL LENGTH

THIS DRAWING IS A CONTROLLED DOCUMENT.

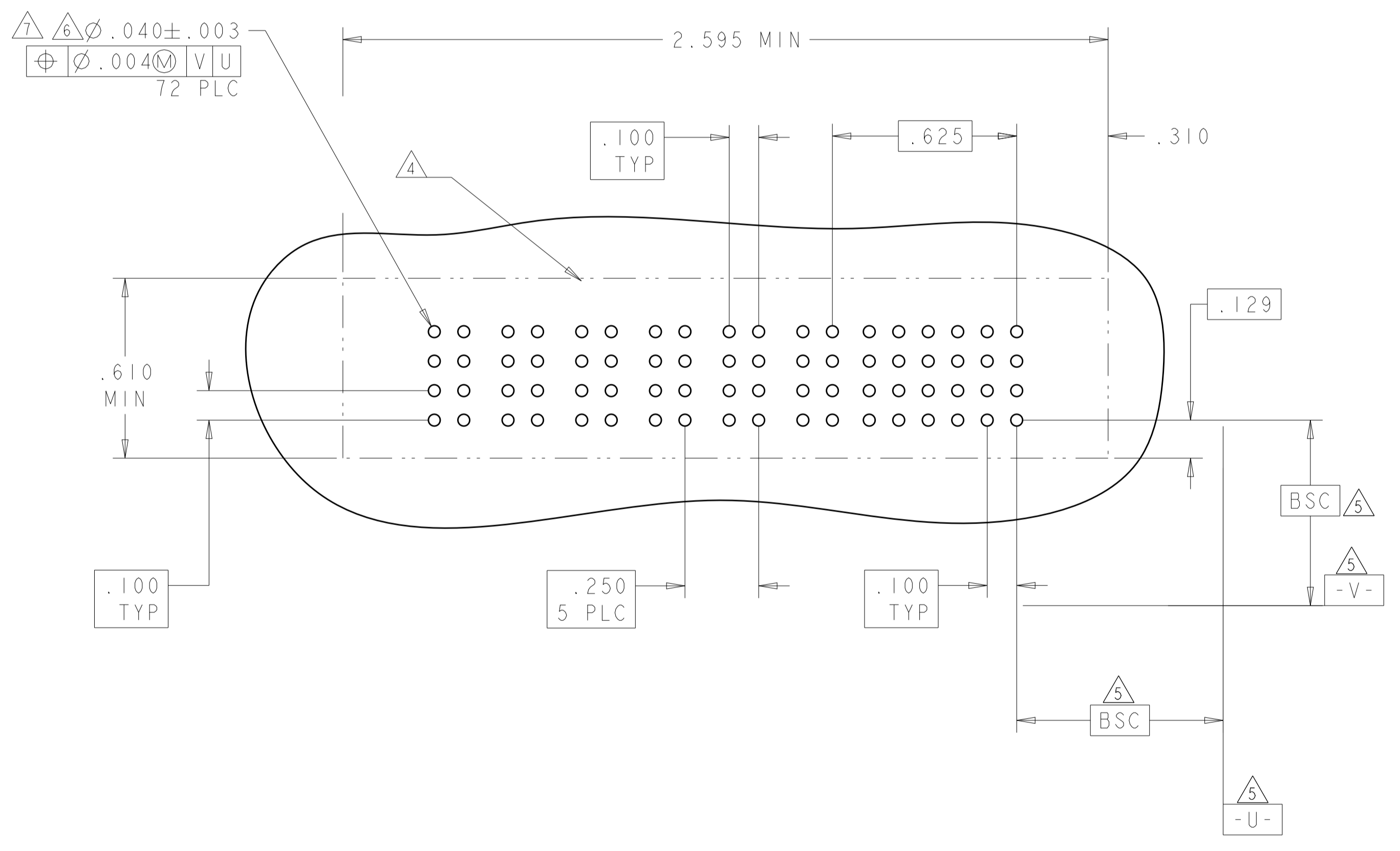
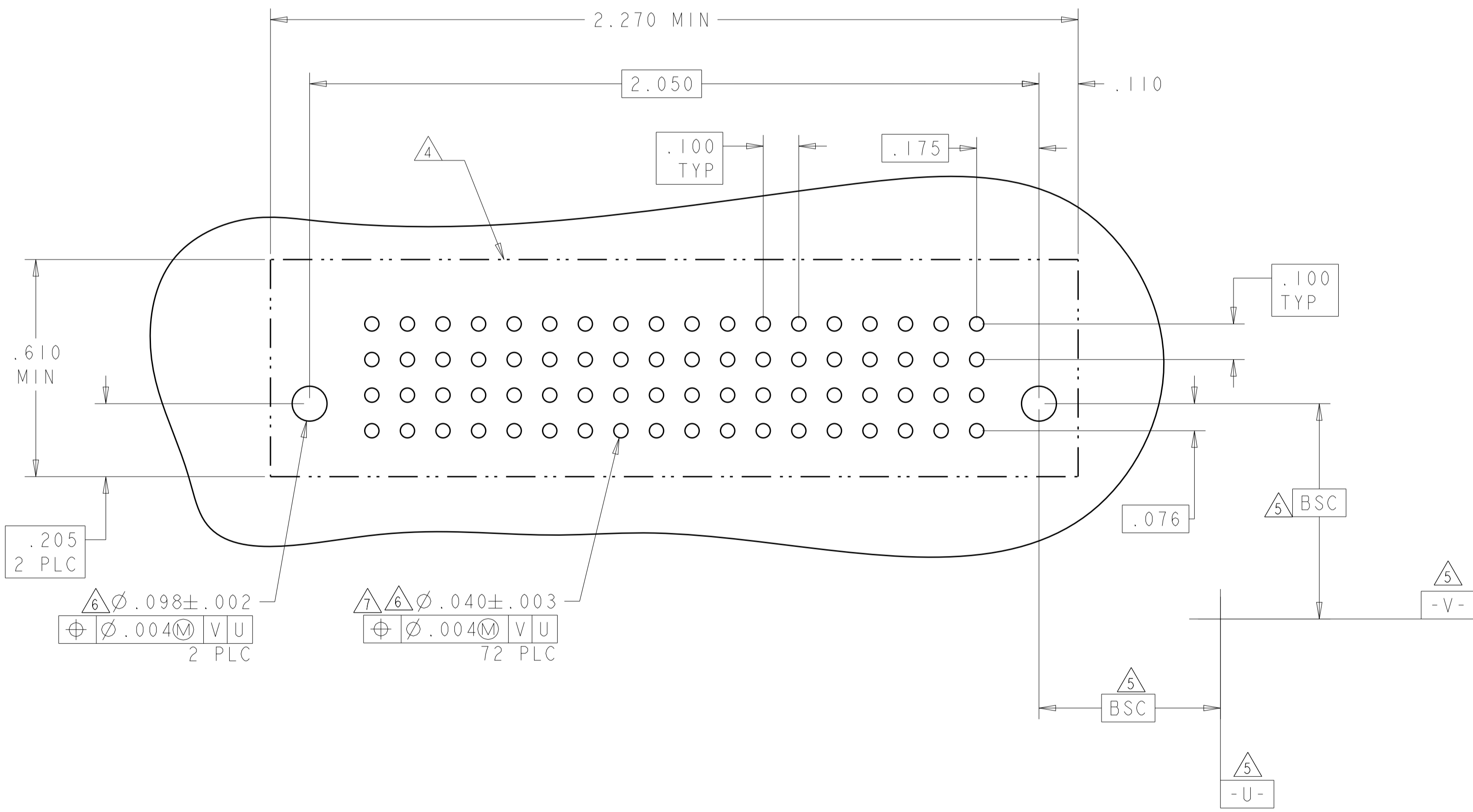
DIMENSIONS:	TOLERANCES UNLESS OTHERWISE SPECIFIED:	DMN: C. ZHOU 08/08/2008	CHK: S. ZHAO 08/08/2008
INCHES	0 PLC ±.010 1 PLC ±.008 2 PLC ±.005 3 PLC ±.003 4 PLC ±.002 ANGLES ±.020	APVD: S. YAO	NAME: VERVE GABE REPER S&C MB ASSEMBLY
MATERIAL:	FINISH:	PRODUCT SPEC: 108-2292	APPLICATION SPEC: MULT I-MELEM -XLEAM XLE
		SIZE: 114-13058	SCALE: 4:1
		WEIGHT:	SHEET 3 OF 11
		CUSTOMER DRAWING	REV: G5

STE TE Connectivity

LOC	DIST	REVISIONS					
ES	00	P	LTN	DESCRIPTION	DATE	DWN	APVD
		-		SEE SHEET 1			

PART NUMBER	ROWS	SIGNAL																	
		18	17	16	15	14	13	12	11	10	9	8	7	6	5	4	3	2	1
6450861-2	D C B A	AP	AP	AP	AP	AP	AP	AP	AP	AP	AP	AP	AP	AP	AP	AP	AP	AP	AP
		AP	AP	AP	AP	AP	AP	AP	AP	AP	AP	AP	AP	AP	AP	AP	AP	AP	AP
		AP	AP	AP	AP	AP	AP	AP	AP	AP	AP	AP	AP	AP	AP	AP	AP	AP	AP
		AP	AP	AP	AP	AP	AP	AP	AP	AP	AP	AP	AP	AP	AP	AP	AP	AP	AP
72S																			

PART NUMBER	ROWS	POWER						SIGNAL					
		P6	P5	P4	P3	P2	P1	6	5	4	3	2	1
6450861-4	D C B A	GS	GS	GS	GS	GS	GS	AP	AP	AP	AP	AP	AP
		GS	GS	GS	GS	GS	GS	AP	AP	AP	AP	AP	AP
		GS	GS	GS	GS	GS	GS	AP	AP	AP	AP	AP	AP
		GS	GS	GS	GS	GS	GS	AP	AP	AP	AP	AP	AP
24S + 6P													



THIS DRAWING IS A CONTROLLED DOCUMENT.		DWN C. ZHOU	808082008	STE TE Connectivity
DIMENSIONS: INCHES		CHK S. ZHAO	808082008	
TOLERANCES UNLESS OTHERWISE SPECIFIED:		NAME S. YAO		VERVE GABE REVERSE SMT ASSEMBLY W/ WITH ISH FOR TIG WELDED, PRESSURE FIT MULTI-MATERIAL RELEASE XLE
0 PLC ±. 1 PLC ±.01 2 PLC ±.01 3 PLC ±.005 4 PLC ±.002 ANGLES ±2°		PRODUCT SPEC 108-2292		
MATERIAL		APPLICATION SPEC 114-13058		SIZE A1
FINISH		WEIGHT		CAGE CODE 100779
		CUSTOMER DRAWING		SCALE 4:1
				SHEET 4
				OF 11
				REV 66

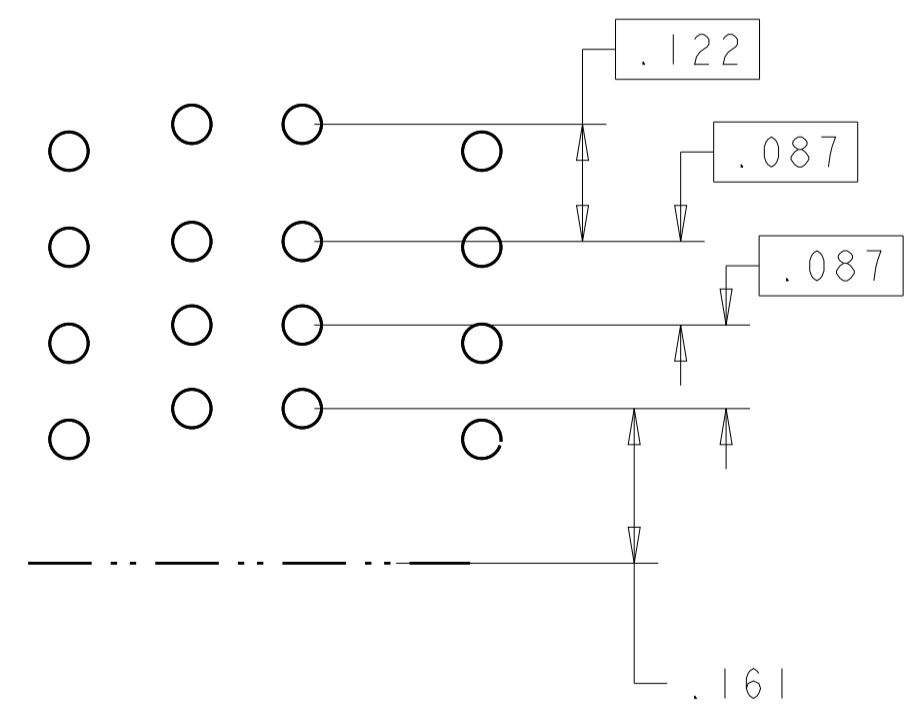
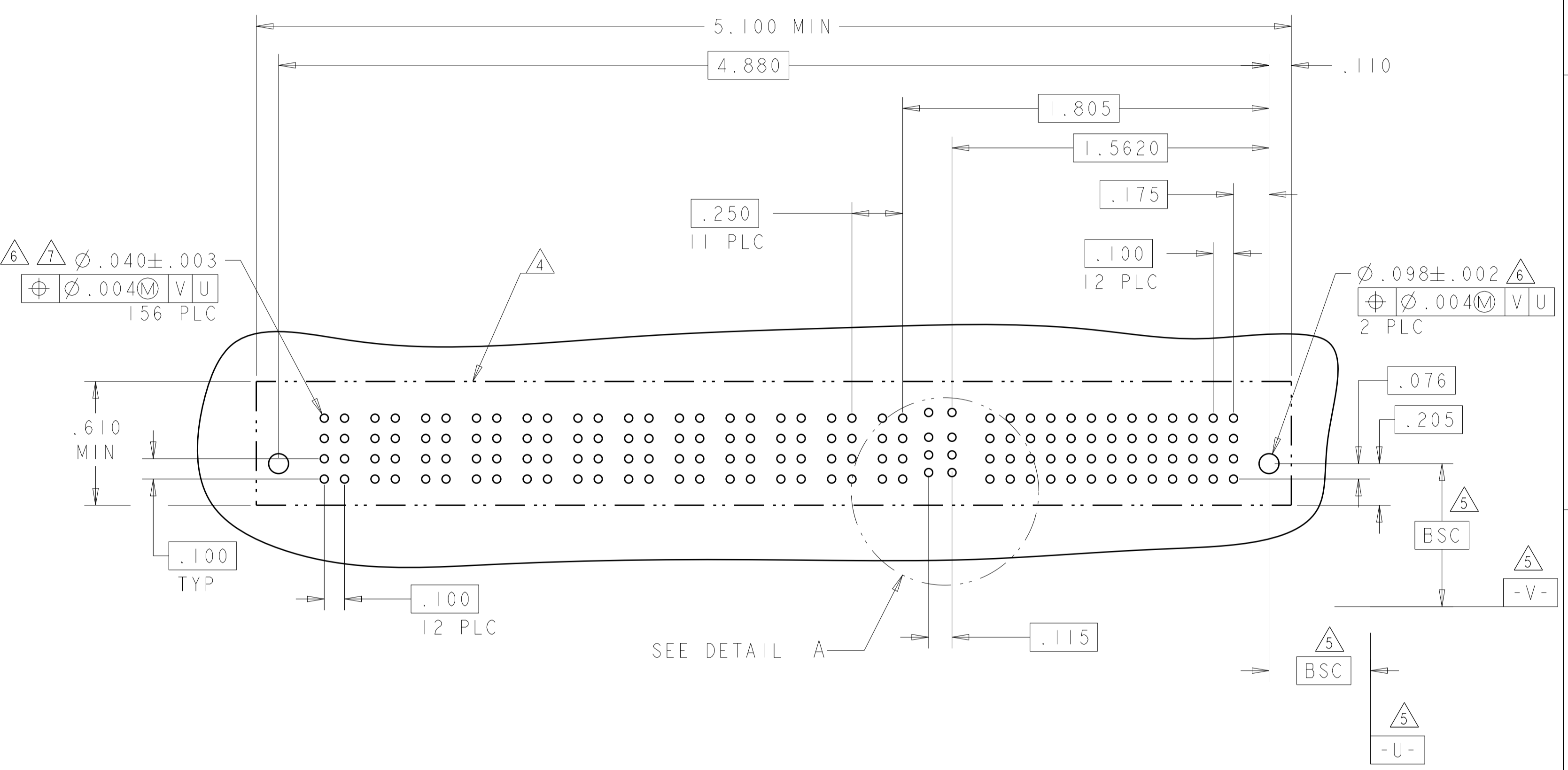
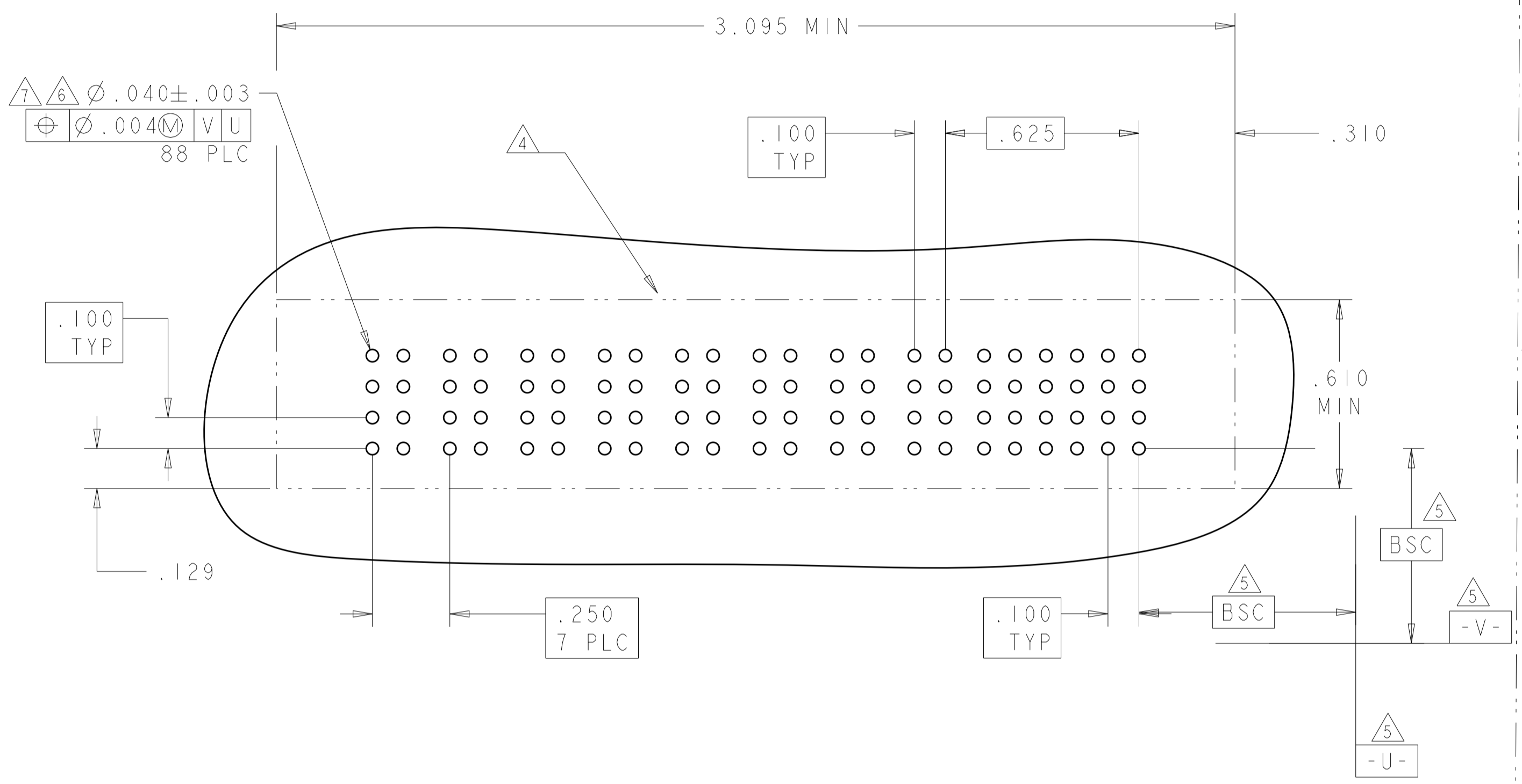
LOC	DIST	REVISIONS			
P	LTN	DESCRIPTION	DATE	DMN	APVD
-	-	SEE SHEET 1	-	-	-

PART NUMBER	ROWS	POWER								SIGNAL					
		P8	P7	P6	P5	P4	P3	P2	P1	6	5	4	3	2	1
6450861-5	D C B A	GS	GS	GS	GS	GS	GS	GS	GS	AP	AP	AP	AP	AP	AP
		GS	GS	GS	GS	GS	GS	GS	GS	AP	AP	AP	AP	AP	AP
		GS	GS	GS	GS	GS	GS	GS	GS	AP	AP	AP	AP	AP	AP

24S + 8P

PART NUMBER	ROWS	POWER												SIGNAL																
		P12	P11	P10	P9	P8	P7	P6	P5	P4	P3	P2	P1	LP2	LPI	13	12	11	10	9	8	7	6	5	4	3	2	1		
6450861-6	D C B A	GS	GS	GS	GS	GS	GS	GS	GS	GS	GS	GS	GS	GS	LS1	LS1	AP	AP	AP	AP	AP	AP	AP	AP	AP	AP	AP	AP	AP	AP
		GS	GS	GS	GS	GS	GS	GS	GS	GS	GS	GS	GS	GS	LS1	LS1	AP	AP	AP	AP	AP	AP	AP	AP	AP	AP	AP	AP	AP	AP
		GS	GS	GS	GS	GS	GS	GS	GS	GS	GS	GS	GS	GS	LS1	LS1	AP	AP	AP	AP	AP	AP	AP	AP	AP	AP	AP	AP	AP	AP

52S + 2LP + 12P

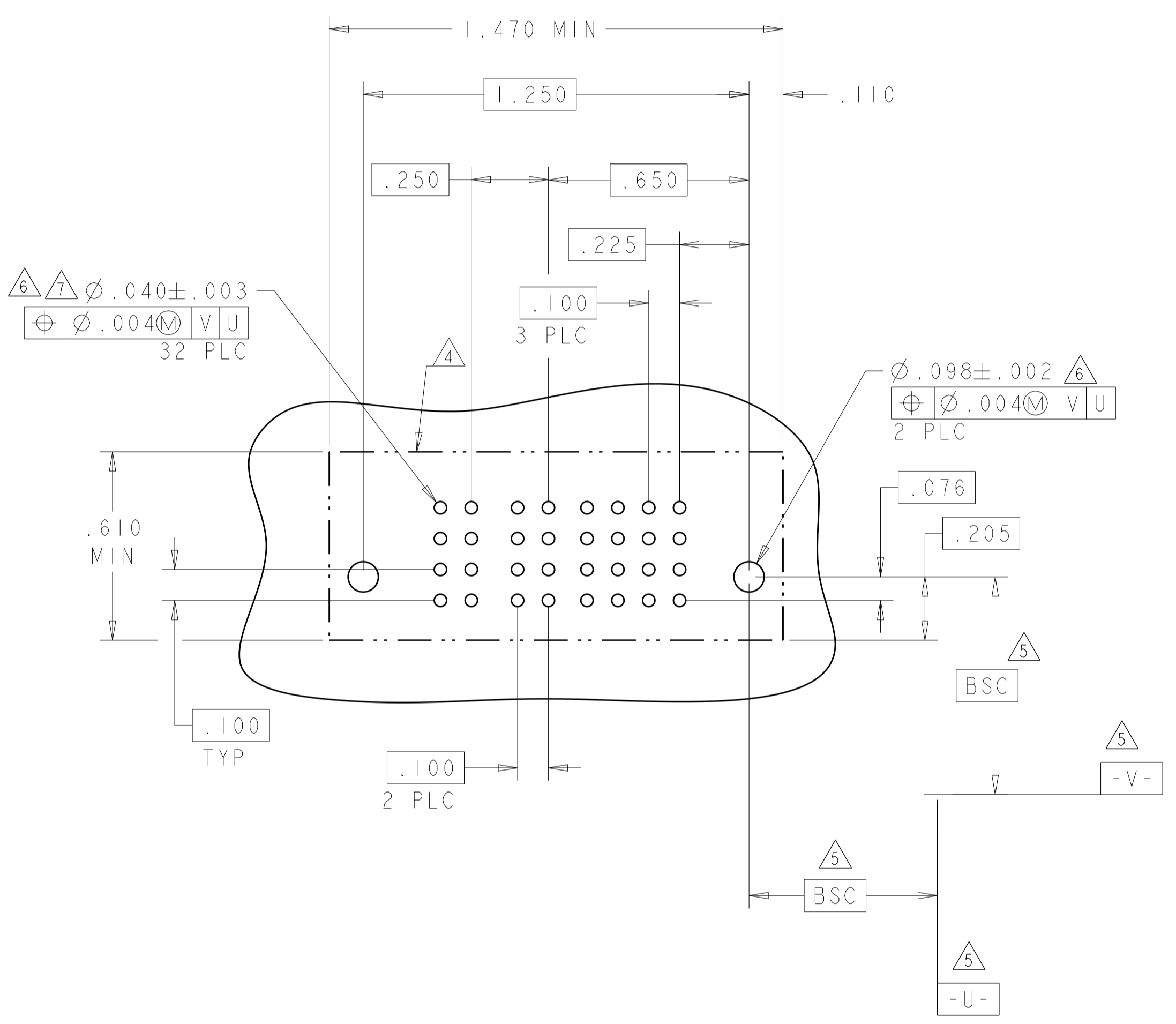


THIS DRAWING IS A CONTROLLED DOCUMENT.		DMN: C.ZHOU 88MNR2008	 TE Connectivity
DIMENSIONS: INCHES		CHK: S.ZHAO 88MNR2008	
TOLERANCES UNLESS OTHERWISE SPECIFIED:		APVD: S.YAO	NAME: VERVIEWERESSEMBLY
0 PLC	±	PRODUCT SPEC	W/TH HSK FOR TO LOUDEDSE, HRESSS FRHT
1 PLC	±.01	108-2292	MULTI-MELAM-MELAM XLE
2 PLC	±.005	APPLICATION SPEC	
3 PLC	±.0020	114-1398	
4 PLC	±.0020	WEIGHT	
ANGLES	±.2°	100779	C=6450861
MATERIAL:		CUSTOMER DRAWING	SCALE 4:1 SHEET 5 OF 11 REV 66

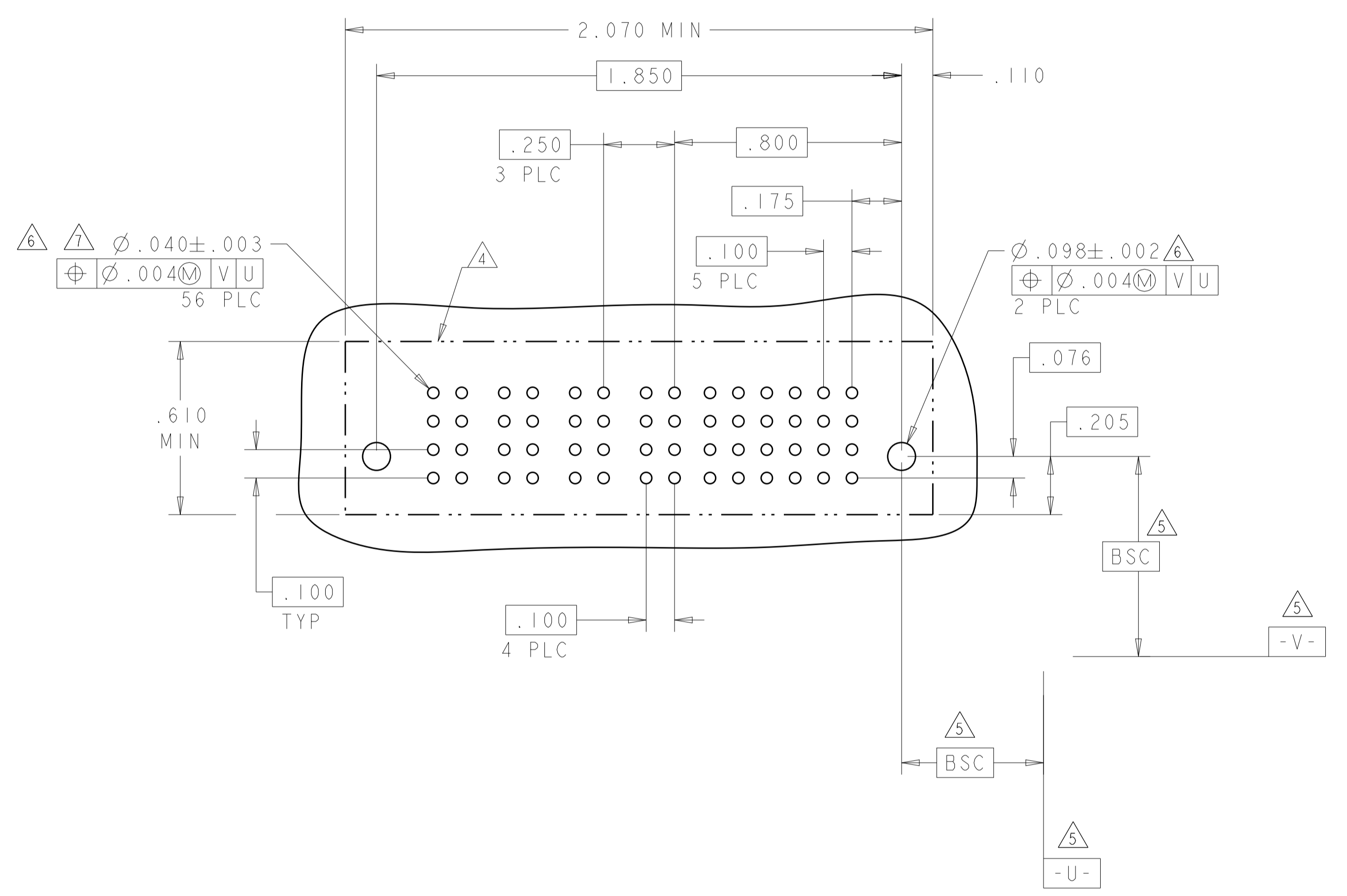
LOC	DIST	REVISIONS			
P	LTH	DESCRIPTION	DATE	DWN	APVD
ES	00	SEE SHEET 1			

PART NUMBER	ROWS	POWER		SIGNAL			
		P2	P1	4	3	2	1
6450861-8	D C B A	GS	GS	AP	AP	AP	AP
				AP	AP	AP	AP
				AP	AP	AP	AP
				AP	AP	AP	AP
16S + 2P		HD		HD			

PART NUMBER	ROWS	POWER				SIGNAL					
		P4	P3	P2	P1	6	5	4	3	2	1
6450861-9	D C B A	GP	GP	GP	GP	AP	AP	AP	AP	AP	AP
						AP	AP	AP	AP	AP	AP
						AP	AP	AP	AP	AP	AP
						AP	AP	AP	AP	AP	AP
24S + 4P		HD		HD							



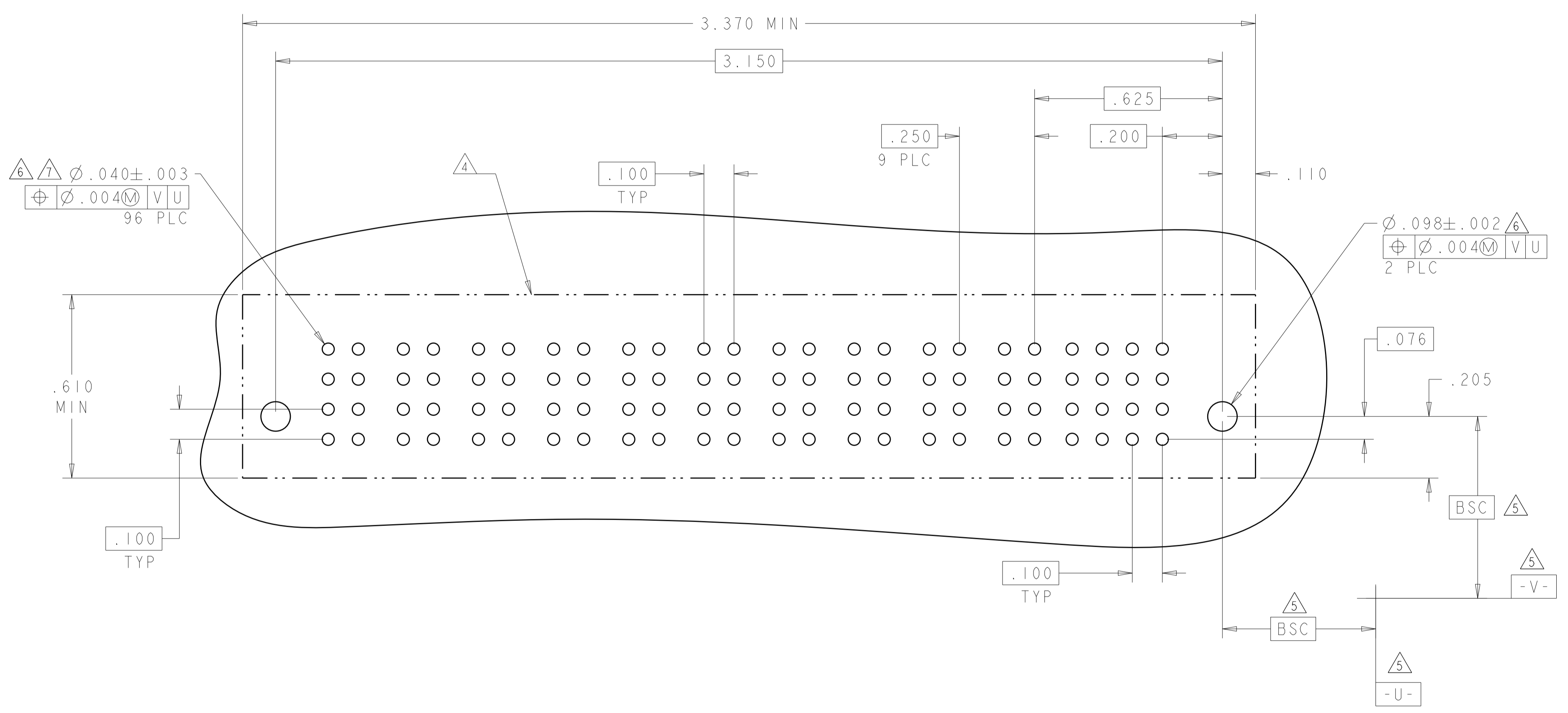
(F)



THIS DRAWING IS A CONTROLLED DOCUMENT.		DWN: C.ZHOU CHK: S.ZHAO	808082008		TE Connectivity
DIMENSIONS: INCHES		TOLERANCES UNLESS OTHERWISE SPECIFIED:			NAME: VERVE GABE RECEPTOR S&M ASSEMBLY WITH ISH FOR TIG WELDING, PRESSURE FIT MULTIPLE BEAM XLE
MATERIAL: -		FINISH: -		PRODUCT SPEC: 108-2292	
APVD: S.YAO		APPLICATION SPEC: 114-13058		SIZE: A1	
CAGE CODE: 6450861		DRAWING NO: 114-13058		RESTRICTED TO: -	
CUSTOMER DRAWING		SCALE: 4:1		SHEET 6 OF 11	
		REV: 66			

LOC	DIST	REV	DATE	BY	APPD
ES	00				
REVISIONS					
DESCRIPTION					
SEE SHEET 1					

PART NUMBER	ROWS	POWER										SIGNAL			
		P10	P9	P8	P7	P6	P5	P4	P3	P2	P1	4	3	2	1
I-6450861-1	D C B A	GS	GS	GS	GS	GS	GS	GS	GS	GS	GS	AP	AP	AP	AP
		GS	GS	GS	GS	GS	GS	GS	GS	GS	GS	AP	AP	AP	AP
		GS	GS	GS	GS	GS	GS	GS	GS	GS	GS	AP	AP	AP	AP
		GS	GS	GS	GS	GS	GS	GS	GS	GS	GS	AP	AP	AP	AP
16S + 10P															



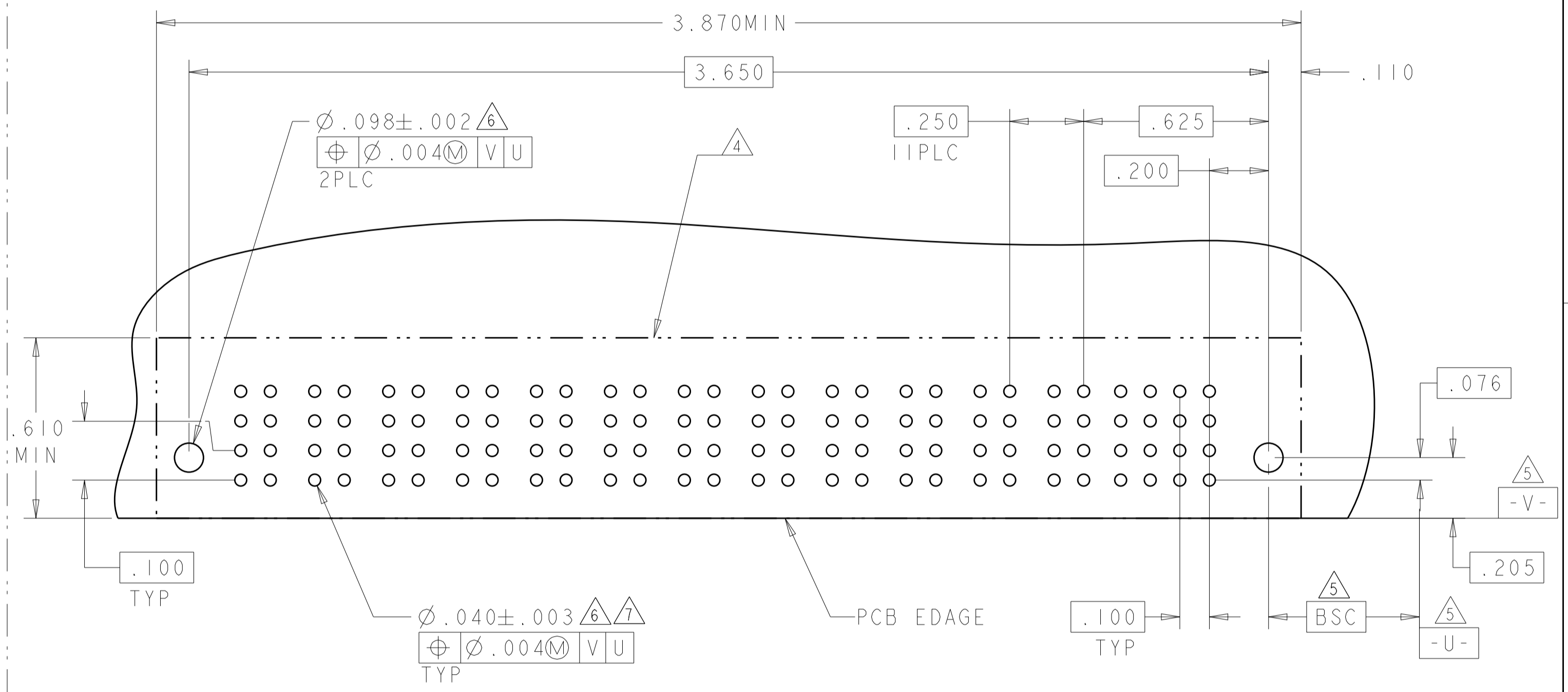
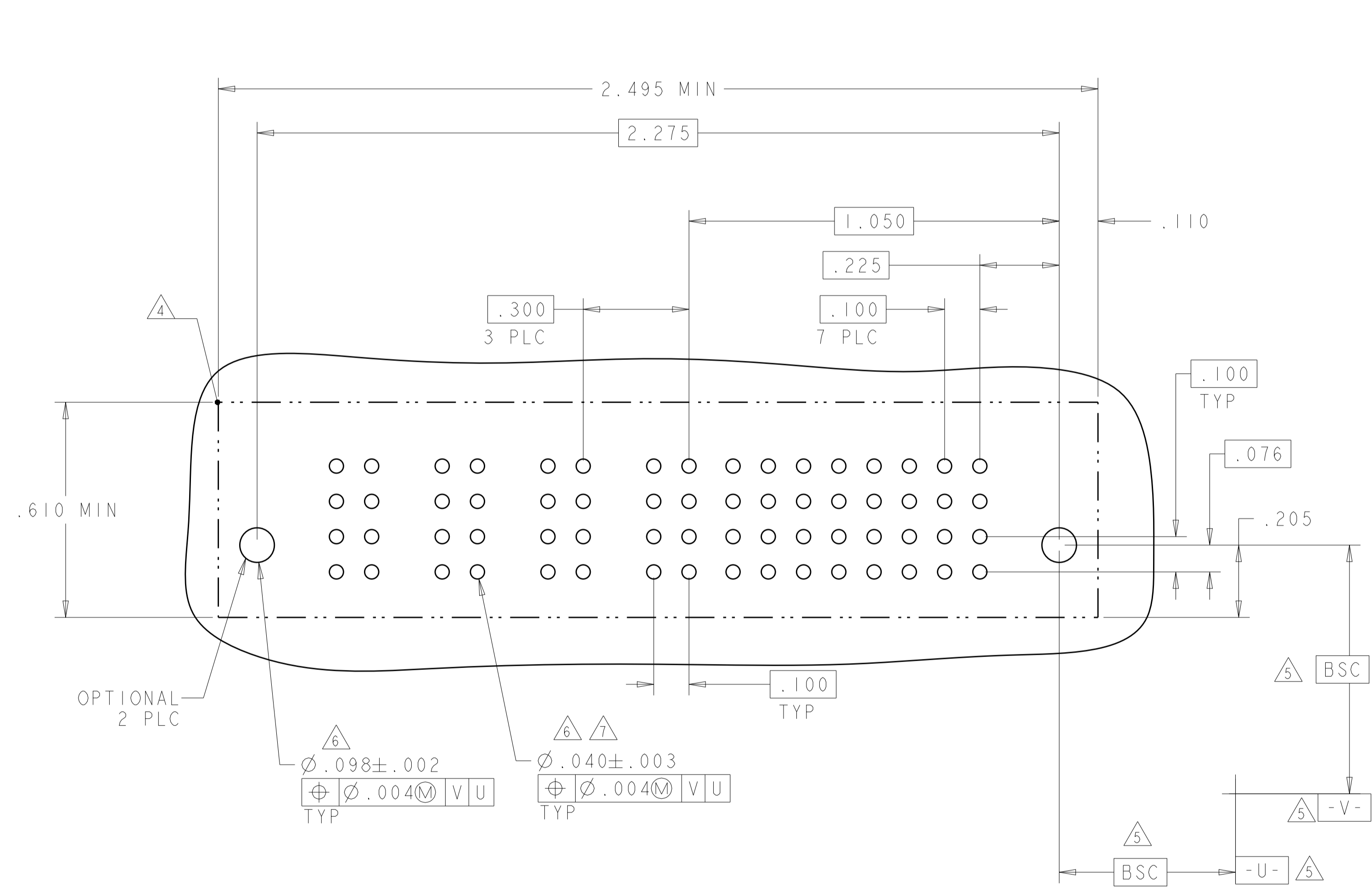
THIS DRAWING IS A CONTROLLED DOCUMENT.		DWN C. ZHOU	88082008	STE TE Connectivity
DIMENSIONS: INCHES		CHK S. ZHAO	88082008	
TOLERANCES UNLESS OTHERWISE SPECIFIED:		APVD S. YAO		NAME VERVE GABE REPER S&C MB ASSEMBLY
0 PLC ±.01		PRODUCT SPEC		W/ WITH ISH FOR TO GOLD PLATE, PRESSURE FIT
1 PLC ±.01		108-2292		MULTI-MATERIAL - XLE
2 PLC ±.01		APPLICATION SPEC		SIZE A1
3 PLC ±.005		114-13058		CAGE CODE DRAWING NO 00779
4 PLC ±.0020		WEIGHT		DRAWING NO 6450861
ANGLES FINISH				RESTRICTED TO
MATERIAL				
CUSTOMER DRAWING		SCALE	4:1	SHEET 7 OF 11
				REV 66

LOC	DIST	REV	DATE	BY	CHK	APPV
ES	00					

REVISIONS			
REV	DATE	BY	APPV
-	-	-	-
-	-	-	-

PART NUMBER	ROWS	POWER				SIGNAL								
		P4	P3	P2	P1	8	7	6	5	4	3	2	1	
1-6450861-2	D C B A	GP	GP	GP	GP	AP	AP	AP	AP	AP	AP	AP	AP	AP
		GP	GP	GP	GP	AP	AP	AP	AP	AP	AP	AP	AP	
		GP	GP	GP	GP	AP	AP	AP	AP	AP	AP	AP	AP	
		GP	GP	GP	GP	AP	AP	AP	AP	AP	AP	AP	AP	
32S + 4ACP														

PART NUMBER	ROWS	POWER												SIGNAL				
		P12	P11	P10	P9	P8	P7	P6	P5	P4	P3	P2	P1	4	3	2	1	
1-6450861-3	D C B A	GS	GS	GS	GS	GS	GS	GS	GS	GS	GS	GS	GS	GS	GS	GS	GS	GS
		GS	GS	GS	GS	GS	GS	GS	GS	GS	GS	GS	GS	GS	GS	GS	GS	GS
		GS	GS	GS	GS	GS	GS	GS	GS	GS	GS	GS	GS	GS	GS	GS	GS	GS
		GS	GS	GS	GS	GS	GS	GS	GS	GS	GS	GS	GS	GS	GS	GS	GS	GS
16S + 12P																		



RECOMMENDED PCB LAYOUT

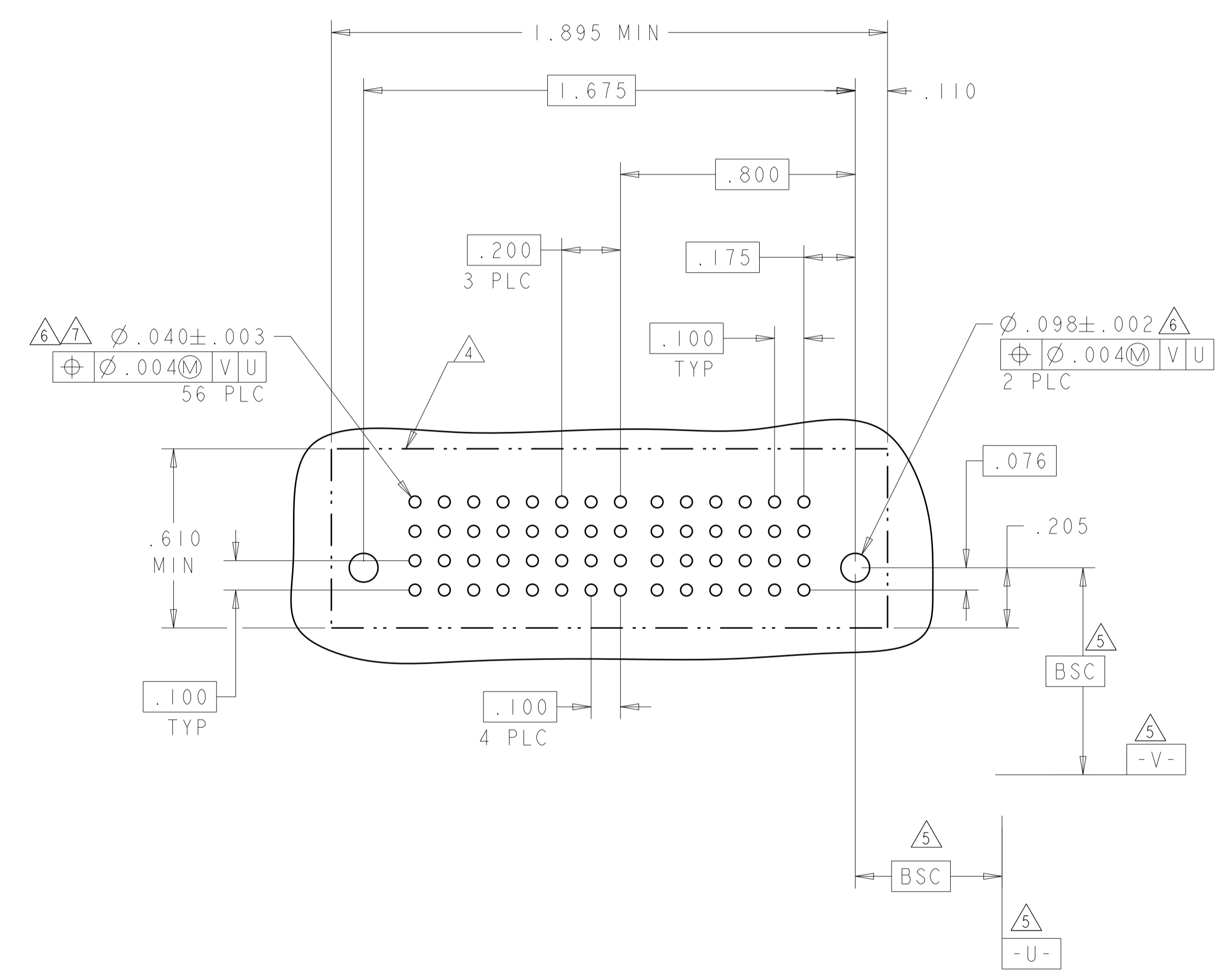
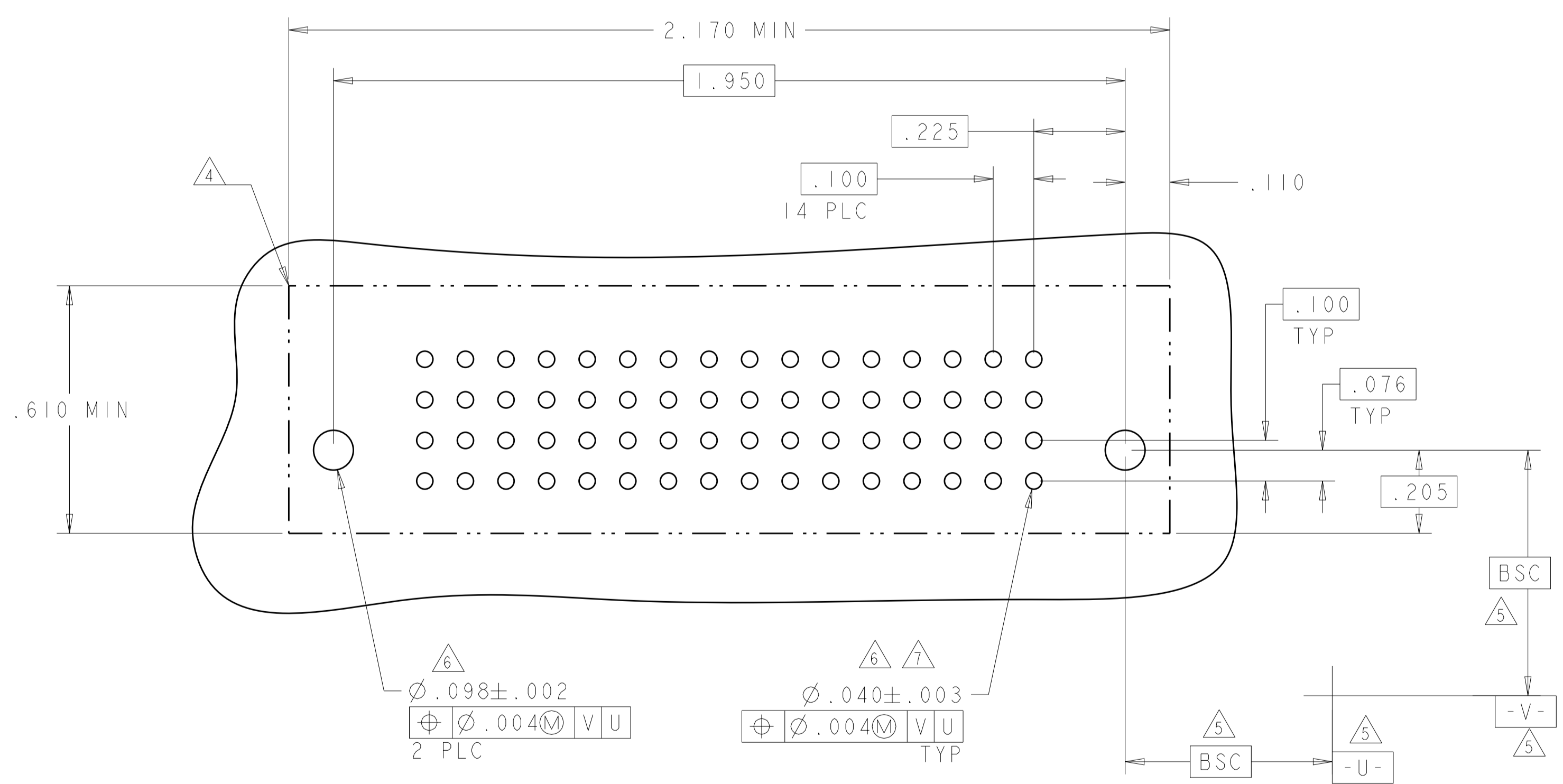
THIS DRAWING IS A CONTROLLED DOCUMENT.		OWN: C. ZHOU 20JUN2012	 TE Connectivity
DIMENSIONS: INCHES		CHK: S. ZHAO 20JUN2012	
TOLERANCES UNLESS OTHERWISE SPECIFIED:		APVD: -	NAME: VERTICAL RECEPTACLE ASSEMBLY WITH SHORT GUIDE, PRESS FIT MULTI-BEAM XLE
0 PLC ±. 1 PLC ±. 2 PLC ±. 3 PLC ±.005 4 PLC ±.0020 ANGLES ±.2°		PRODUCT SPEC: 108-2292	RESTRICTED TO: -
MATERIAL: -		APPLICATION SPEC: 114-13251	SIZE: A1
FINISH: -		WEIGHT: -	CAGE CODE: 6450861
		Customer Drawing	SCALE: 1:1 SHEET 8 OF 11 REV: G5

LOC		DIST		REVISIONS			
ES	00	P	LTN	DESCRIPTION	DATE	DWN	APVD
		-		SEE SHEET 1			

F6

PART NUMBER	ROWS	SIGNAL															
		16	15	14	13	12	11	10	9	8	7	6	5	4	3	2	1
1-6450861-4	D	BP	BP	BP	BP	BP	BP	BP	BP	BP	BP	BP	BP	BP	BP	BP	BP
	C	BP	BP	BP	BP	BP	BP	BP	BP	BP	BP	BP	BP	BP	BP	BP	BP
	B	BP	BP	BP	BP	BP	BP	BP	BP	BP	BP	BP	BP	BP	BP	BP	BP
	A	BP	BP	BP	BP	BP	BP	BP	BP	BP	BP	BP	BP	BP	BP	BP	BP
64S		HD															HD

PART NUMBER	ROWS	POWER				SIGNAL					
		P4	P3	P2	P1	6	5	4	3	2	1
1-6450861-5	D					AP	AP	AP	AP	AP	AP
	C					AP	AP	AP	AP	AP	AP
	B	GS	GS	GS	GS	AP	AP	AP	AP	AP	AP
	A	HD				AP	AP	AP	AP	AP	AP
24S + 4P											



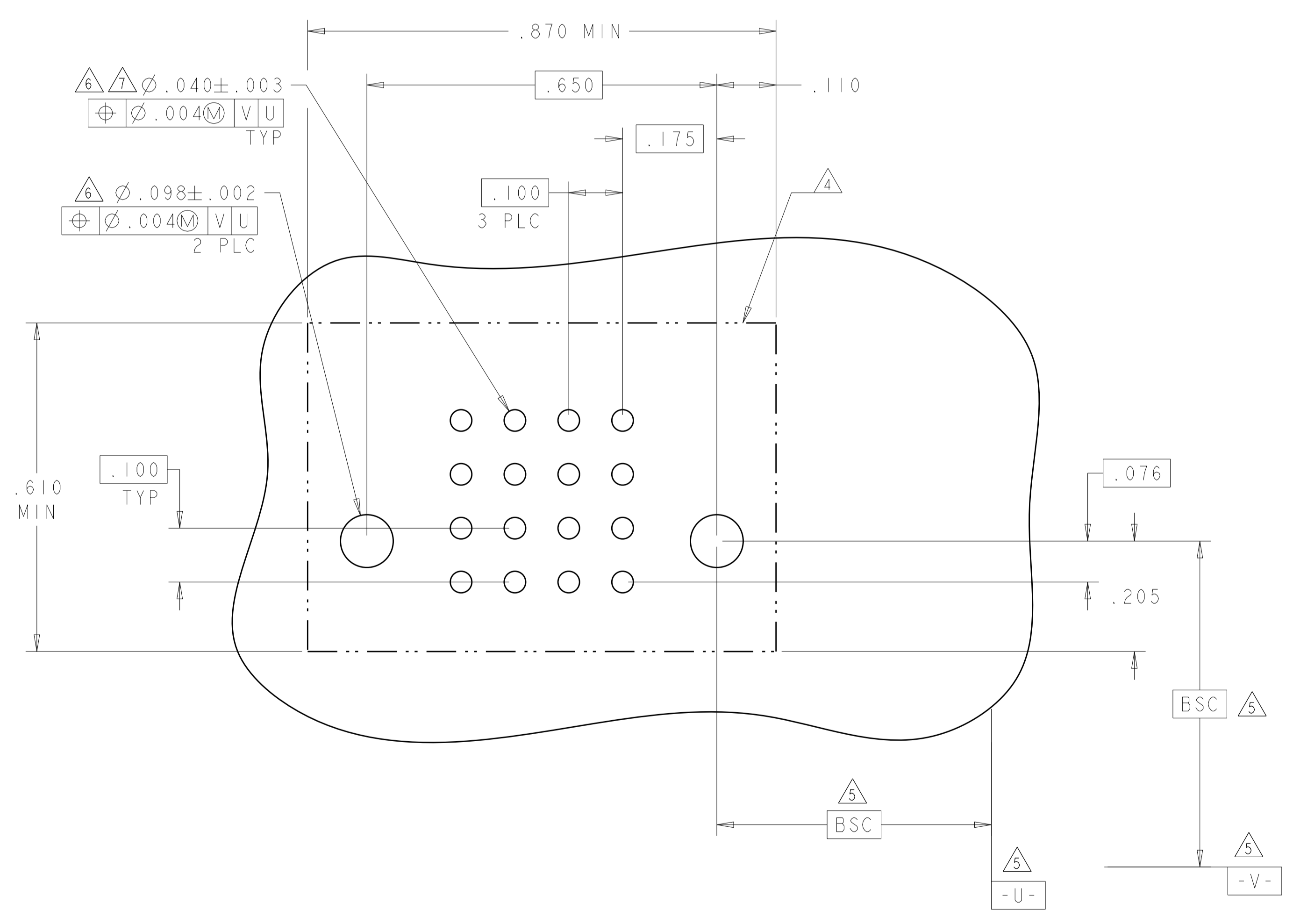
THIS DRAWING IS A CONTROLLED DOCUMENT.		DWN: C. ZHOU 20JUN2012	TE Connectivity
DIMENSIONS: INCHES		CHK: S. ZHAO 20JUN2012	
TOLERANCES UNLESS OTHERWISE SPECIFIED: 0 PLC ± 1 PLC ± 2 PLC ± 3 PLC ±.005 4 PLC ±.0020 ANGLES ±.7° FINISH		PRODUCT SPEC: 108-2292 APPLICATION SPEC: 114-13251 WEIGHT:	NAME: VERTICAL RECEPTACLE ASSEMBLY WITH SHORT GUIDE, PRESS FIT MULTI-BEAM XLE SIZE: A1 CAGE CODE: 00779 DRAWING NO: 6450861
MATERIAL:		Customer Drawing	RESTRICTED TO: -
		SCALE: 1:1	SHEET 9 OF 11 REV: G5

LOC		DIST		REVISIONS			
ES	00	P	LTN	DESCRIPTION	DATE	DMN	APVD
		-		SEE SHEET 1			

PART NUMBER	ROWS	SIGNAL			
		4	3	2	1
1-6450861-6	D	AP	AP	AP	AP
	C	AP	AP	AP	AP
	B	AP	AP	AP	AP
	A	AP	AP	AP	AP

16S

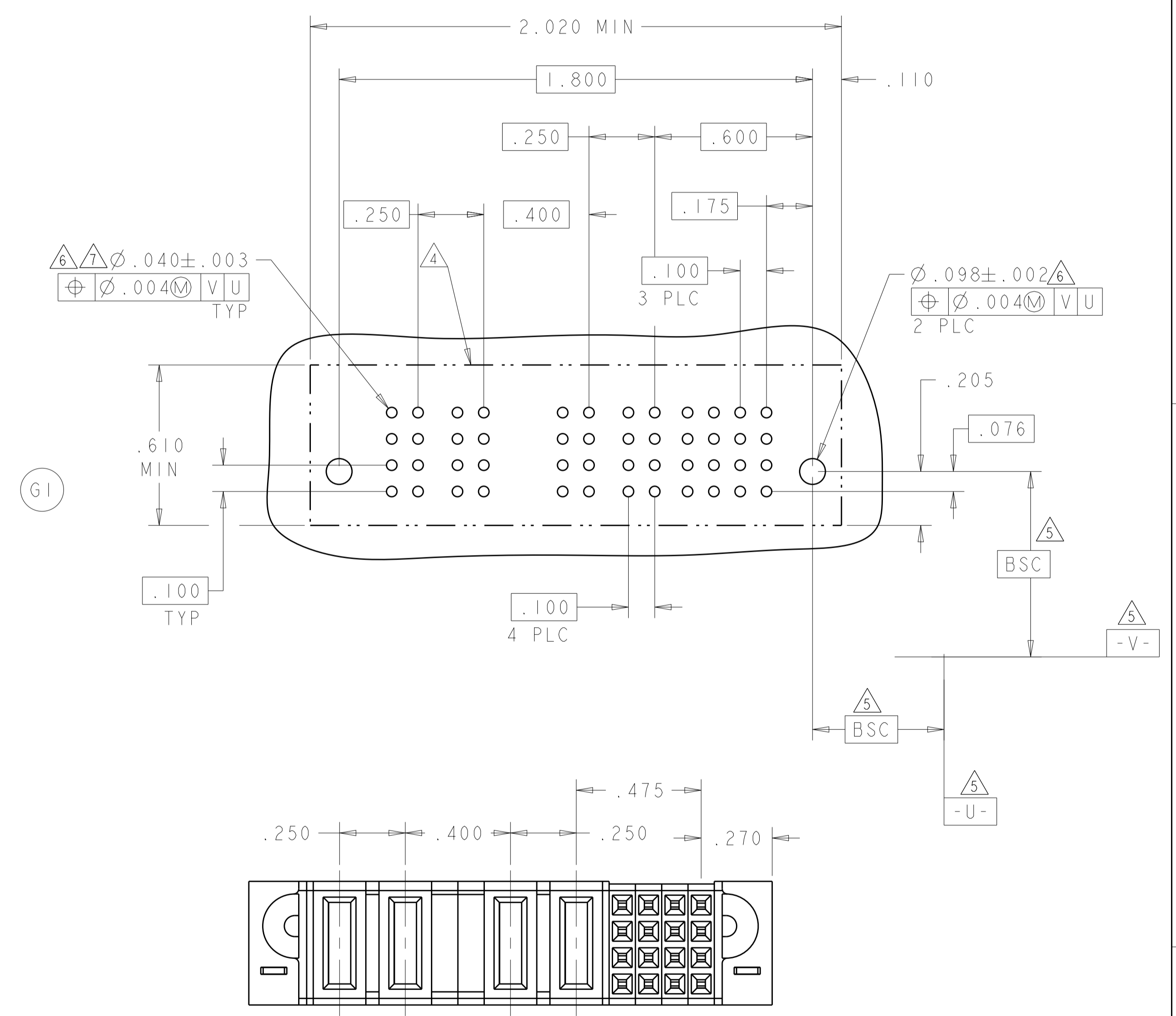
F9



PART NUMBER	ROWS	POWER					SIGNAL			
		P4	P3	-	P2	P1	4	3	2	1
1-6450861-7	D	VS	VS	-	VS	VS	P	P	P	P
	C	VS	VS	-	VS	VS	P	P	P	P
	B	VS	VS	-	VS	VS	P	P	P	P

16S + 4P

NO CONTACT LOADED



PART 1-6450861-7

HD	HOLD DOWN
P	SIGNAL PRESS FIT CONTACT .115"
VS	STD POWER PRESS FIT CONTACT .115"
CODE	TAIL LENGTH
CONTACT TABLE	

THIS DRAWING IS A CONTROLLED DOCUMENT. DWG: C.ZHOU 20JUN2012, CHK: S.ZHAO 20JUN2012, APVD: -

DIMENSIONS: INCHES. TOLERANCES UNLESS OTHERWISE SPECIFIED: 0 PLC ±, 1 PLC ±, 2 PLC ±, 3 PLC ±.005, 4 PLC ±.0020, ANGLES ±.020.

MATERIAL: -. FINISH: -

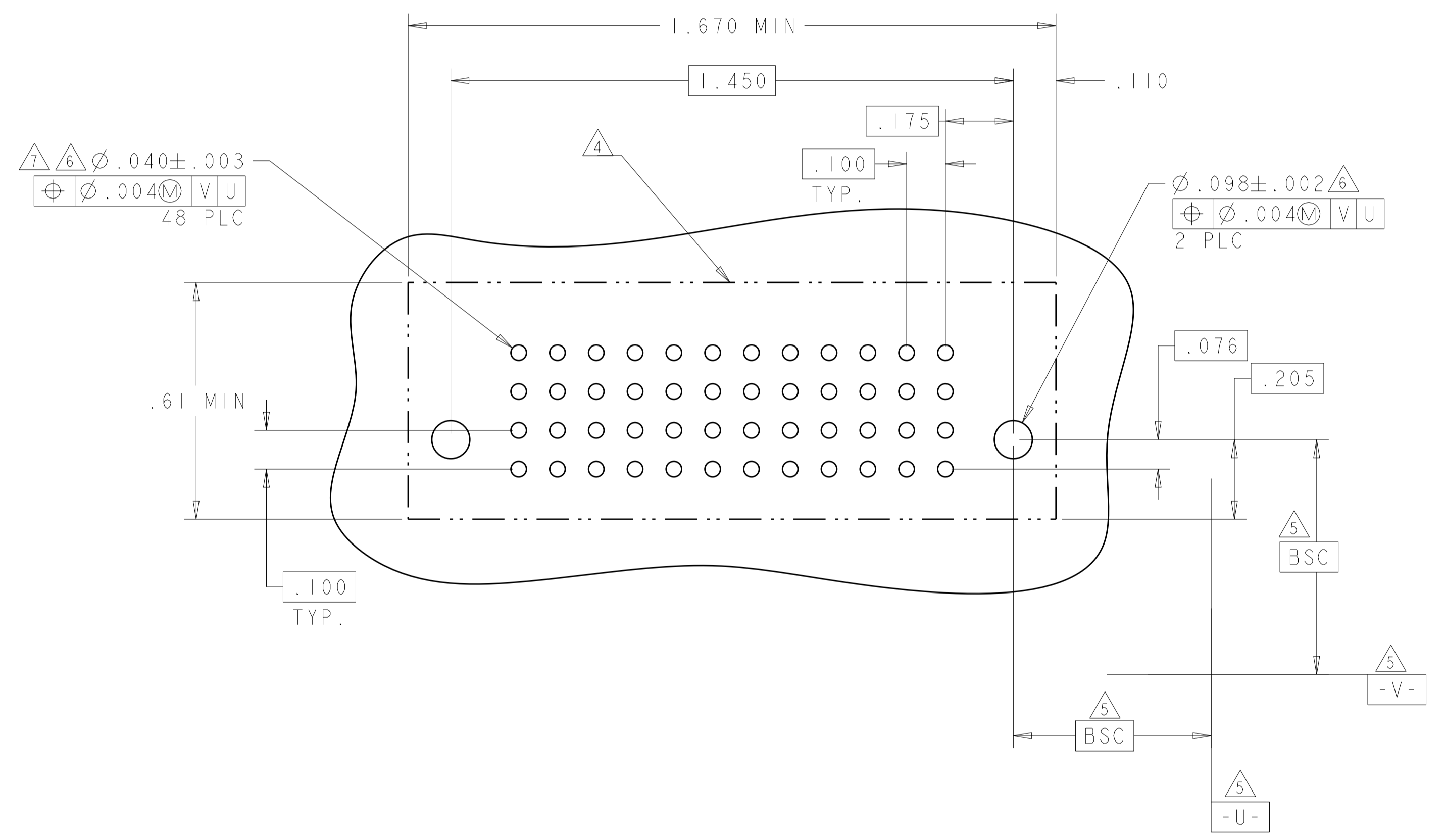
PRODUCT SPEC: 108-2292, APPLICATION SPEC: 114-13251, WEIGHT: -. SIZE: A1, CAGE CODE: 1100779, DRAWING NO: 6450861, RESTRICTED TO: -. SCALE: 1:1, SHEET 10 OF 11, REV: G5.

Customer Drawing

LOC	DIST	REVISIONS			
P	LTN	DESCRIPTION	DATE	DNW	APVD
-	-	SEE SHEET 1	-	-	-

PART NUMBER	ROWS	SIGNAL											
		12	11	10	9	8	7	6	5	4	3	2	1
1-6450861-8	D	AP	AP	AP	AP	AP	AP	AP	AP	AP	AP	AP	AP
	C	AP	AP	AP	AP	AP	AP	AP	AP	AP	AP	AP	AP
	B	AP	AP	AP	AP	AP	AP	AP	AP	AP	AP	AP	AP
	A	AP	AP	AP	AP	AP	AP	AP	AP	AP	AP	AP	AP
48S		HD											HD

G5



THIS DRAWING IS A CONTROLLED DOCUMENT.		DNW C. ZHOU CHK S. ZHAO	20JUN2012 20JUN2012	 TE Connectivity
DIMENSIONS: INCHES	TOLERANCES UNLESS OTHERWISE SPECIFIED:	APVD	NAME	
	0 PLC ± 1 PLC ± 2 PLC ± 3 PLC ±.005 4 PLC ±.0020 ANGLES ±.2°	PRODUCT SPEC 108-2292	VERTICAL RECEPTACLE ASSEMBLY WITH SHORT GUIDE, PRESS FIT MULTI-BEAM XLE	
MATERIAL	FINISH	APPLICATION SPEC 114-13251	RESTRICTED TO	
		WEIGHT	SIZE CAGE CODE DRAWING NO A100779C=6450861	
Customer Drawing		SCALE 1:1	SHEET 11 OF 11 REV G5	