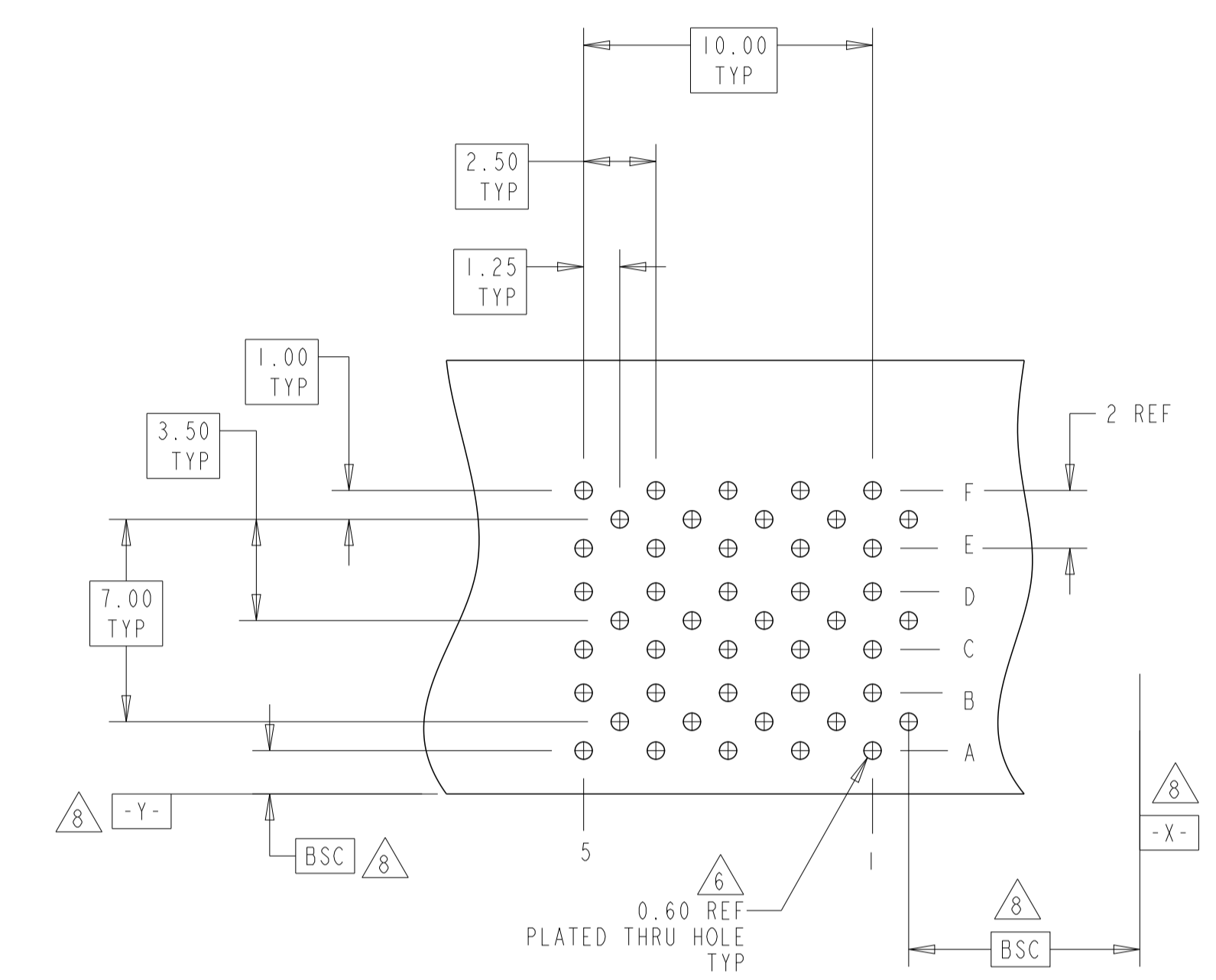
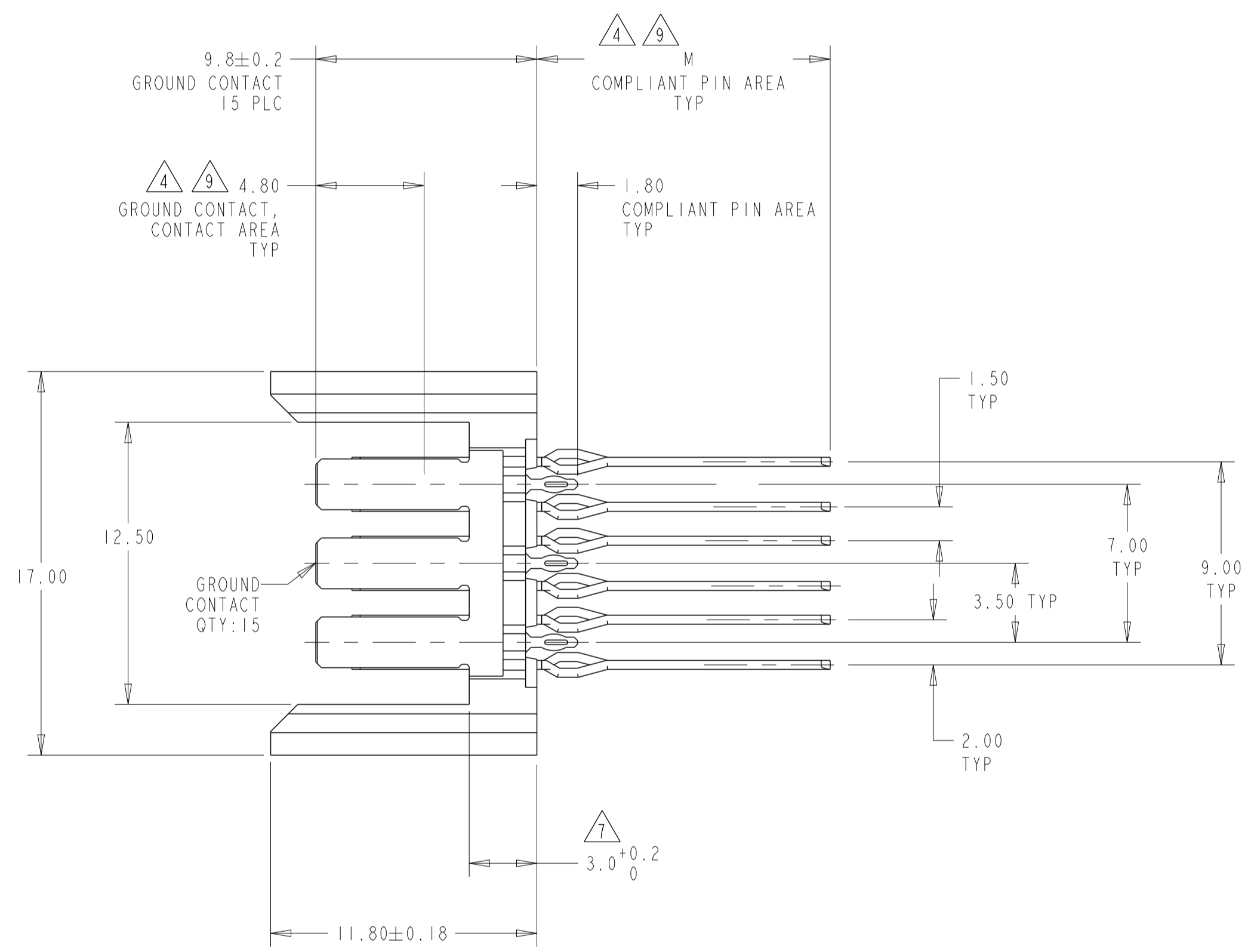
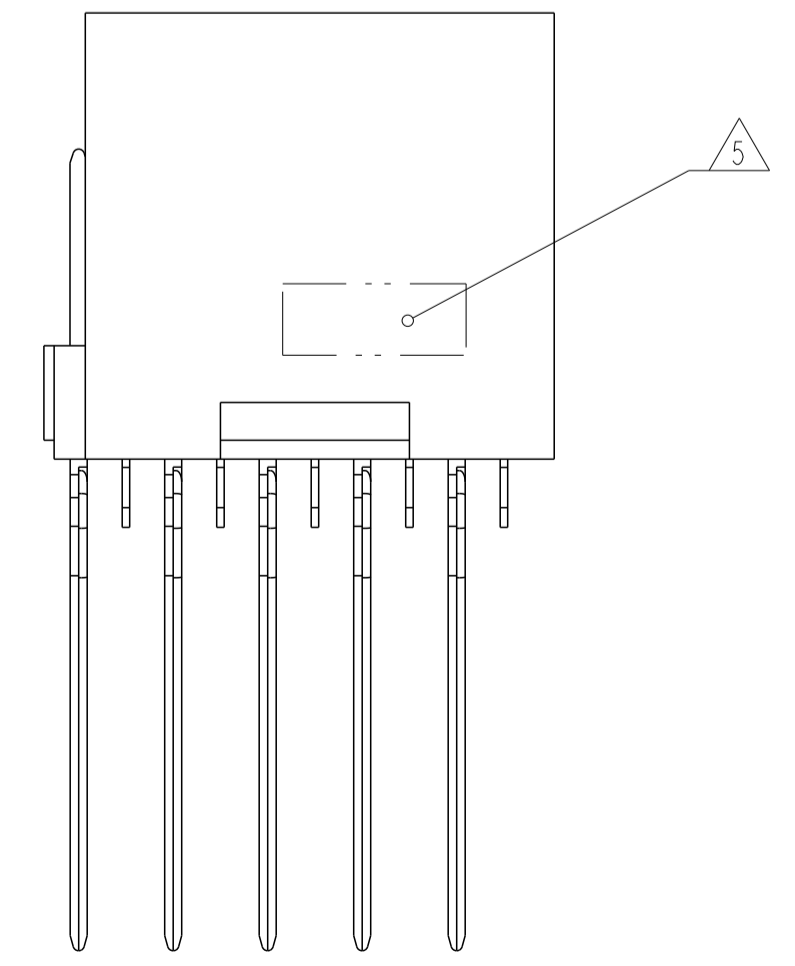
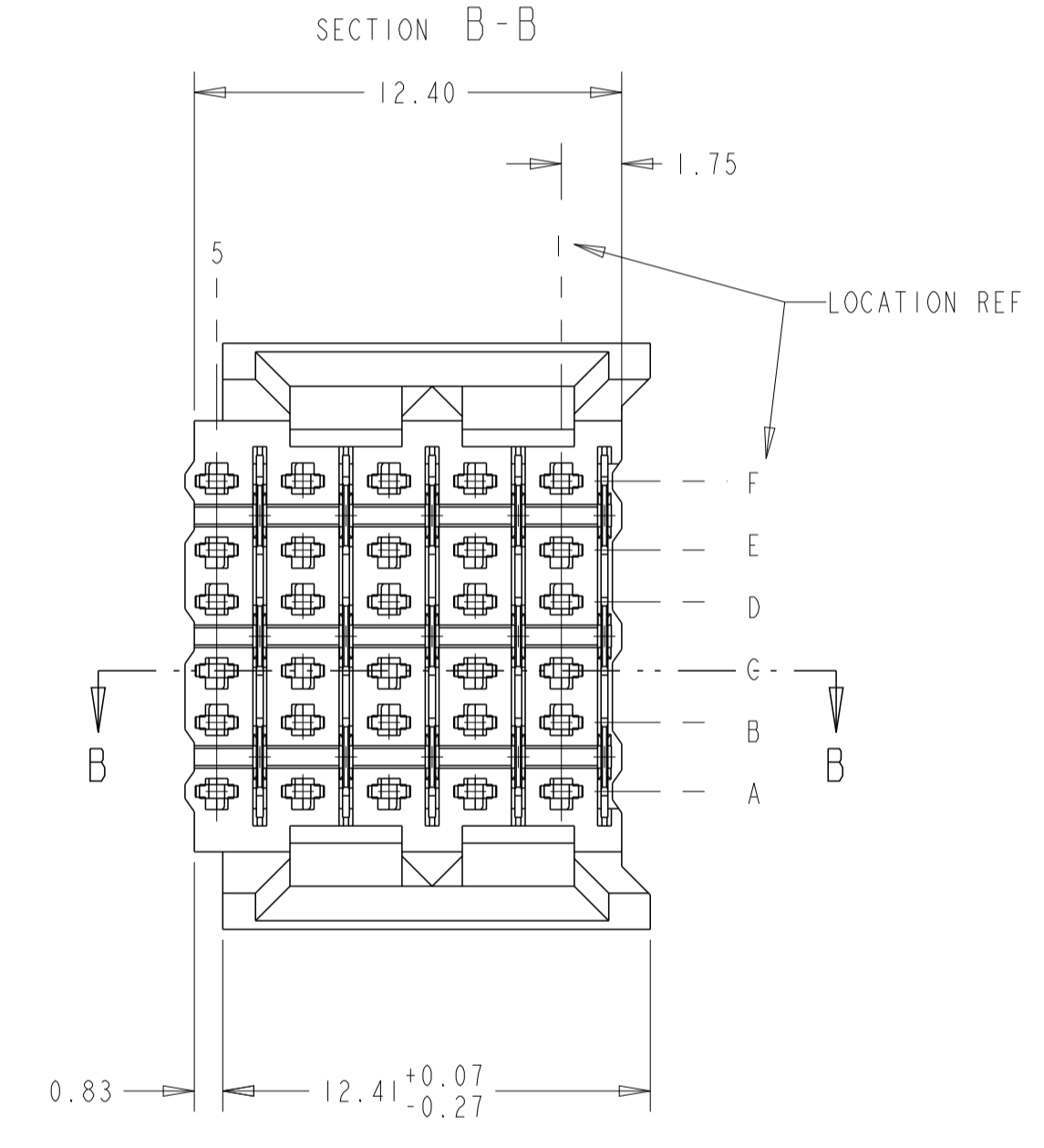
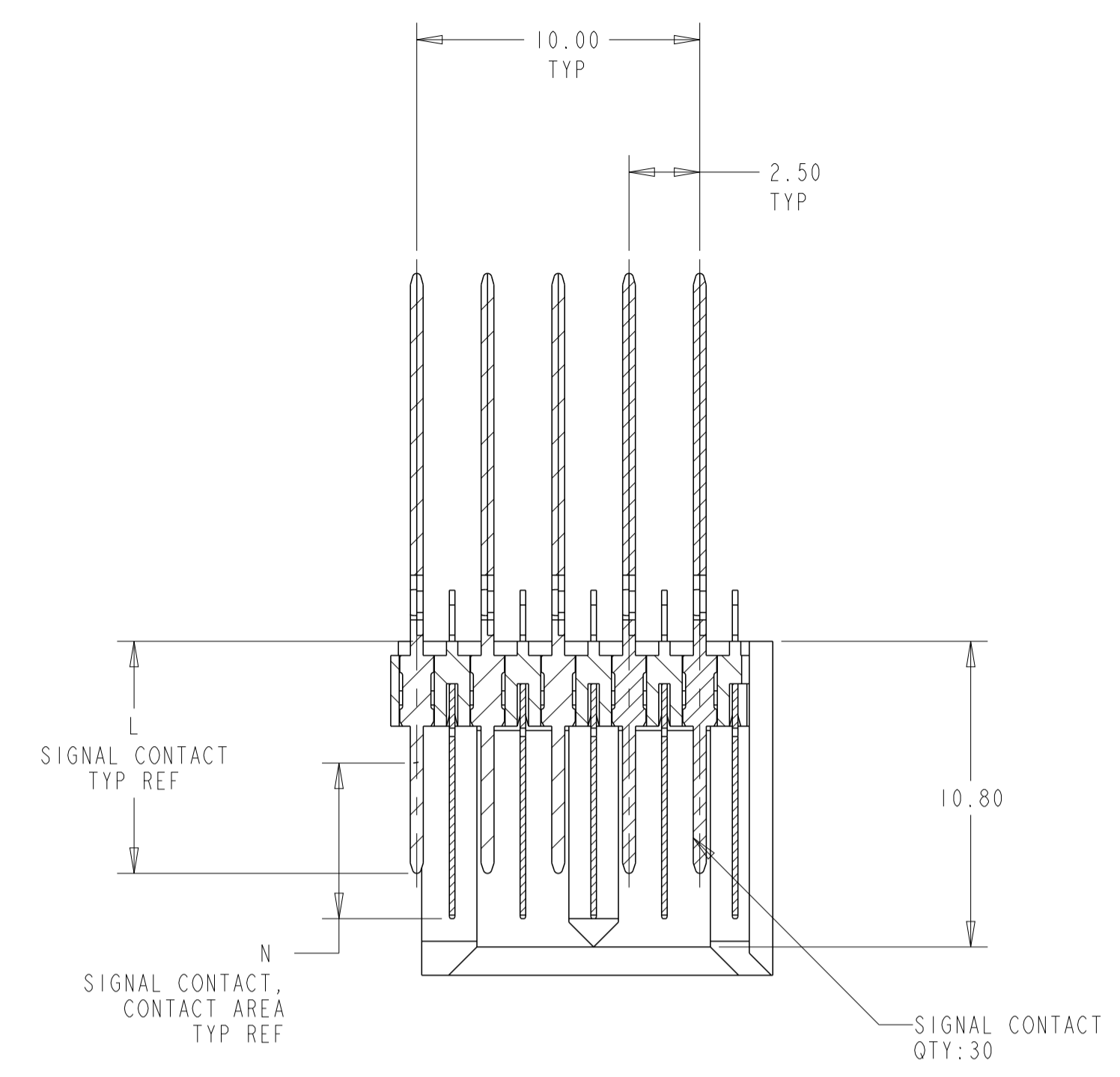


LOC		DIST		REVISIONS			
P	LTN	DESCRIPTION	DATE	DWN	APVD		
A		REVISED PER ECO-12-017504	08OCT2012	KH	JE		

- 2 PHOSPHOR BRONZE
- 3 LCP, UL94V-0
- 4 FINISH:  
CONTACT MATING AREA MEETS THE PERFORMANCE REQUIREMENTS OF  
TE CONNECTIVITY PRODUCT SPECIFICATION 108-1957; BASED ON  
TELCORDIA GR-1217-CORE; APPLICATIONS IN UNCONTROLLED ENVIRONMENTS.  
COMPLIANT PIN AREA: 0.5µm MIN MATTE TIN OVER BASE PLATING.
- 5 CONNECTOR MARKED WITH PART NUMBER AND DATE CODE
- 6 REFERENCE APPLICATION SPEC 114-13020 FOR RECOMMENDED  
PLATED THRU HOLE DIAMETER AND PLATING THICKNESS.
- 7 APPLICATION SEATING HEIGHT TO PRINTED CIRCUIT BOARD
- 8 DATUMS AND BASIC DIMENSIONS ESTABLISHED BY CUSTOMER
- 9 CONTACT AREA LUBRICATED WITH BELLCORE APPROVED LUBRICANT  
TECHNICAL REFERENCE: GR-1217-CORE, ISSUE 1, NOVEMBER 1995



RECOMMENDED  
PRINTED CIRCUIT BOARD  
LAYOUT  
COMPONENT SIDE OF PRINTED CIRCUIT BOARD

5.50	14.50	9.7	5120742-2
5.50	13.00	8.2	5120742-1
N	M	L	AMP PART NUMBER

THIS DRAWING IS A CONTROLLED DOCUMENT.

DIMENSIONS:	TOLERANCES UNLESS OTHERWISE SPECIFIED:	DWN B. CARBO 07DEC04	NAME
mm	0 PLC ±	CHK R. PATTERSON 07DEC04	TE Connectivity
	1 PLC ±	APVD R. PATTERSON 07DEC04	PRODUCT SPEC
	2 PLC ±0.13		APPLICATION SPEC
	3 PLC ±0.05		SIZE CAGE CODE DRAWING NO RESTRICTED TO
	4 PLC ±		A1 00779 C=5120742
	ANGLES ±		SCALE 5:1 SHEET 1 OF 1 REV A
MATERIAL HOUSING: 3	FINISH	WEIGHT	CUSTOMER DRAWING
CONTACTS: 2	SIGNAL CONTACT: 4		