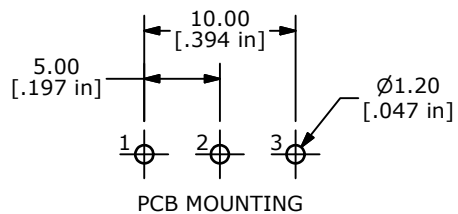
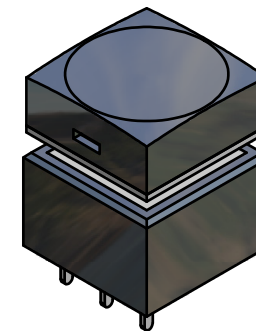
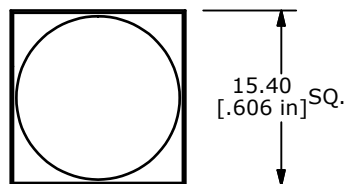


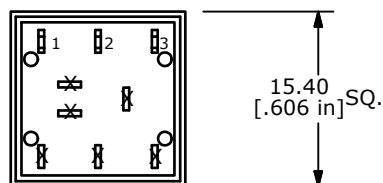
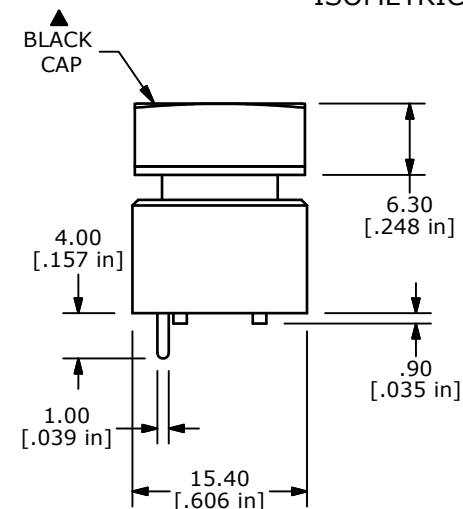
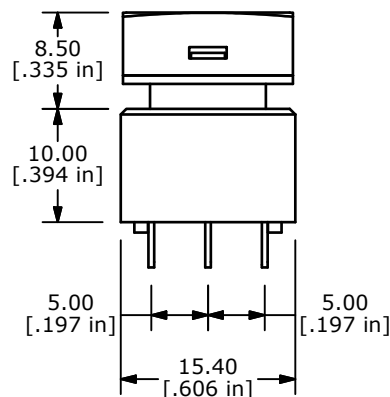
SWITCH SCHEMATIC (MOMENTARY)



PCB MOUNTING



ISOMETRIC



NOTES:

1. ALL DIMENSIONS IN MM
2. GENERAL TOLERANCE: X.X=±0.4  
X.XX=±0.25
3. TERM. NOS. FOR REFERENCE ONLY.
- ▲ 4. CONTACT RATING: 0.4VA MAX. @ 28V AC/DC
5. CONTACT MATERIAL: GOLD
6. ELECTRICAL LIFE: 200,000 Typical
7. MECHANICAL LIFE:  
1,000,000 CYCLES TYP.
8. CONTACT RESISTANCE:  
100 MILLI-OHM INITIAL TYP. MAX.
9. DIELECTRIC STRENGTH:  
1000 VAC FOR 1 MINUTE
10. TRAVEL TO MAKE: 2.20mm ± 0.2
11. 2002/95/EC (ROHS) COMPLIANT
12. ▲ DENOTES CRITICAL PARAMETER
- ▲ 13. LED COLOR: NO LED



TITLE ULP12OAP1RSSOP1NILNIL

D	19703	UPDATE DRAWING	02/23/11	BMA
REV	PCR NO	DESCRIPTION	DATE	BY

THE INFORMATION CONTAINED IN THIS DOCUMENT IS PROPRIETARY TO E-SWITCH AND IS NOT TO BE COPIED OR TRANSFERRED

SCALE	DATE	DR	DWG	REV
1.5:1	4/28/2005	JB	B800100	D