

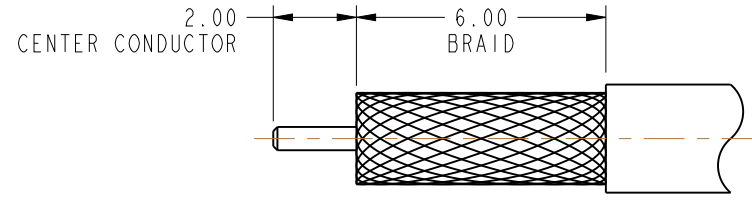
NOTES:

1. MATERIALS AND FINISHES:  
 BODIES - BRASS, GOLD PLATING  
 CONTACT - BeCu, GOLD PLATING  
 INSULATOR - PTFE, NATURAL  
 INSULATOR DISC - ULTEM
2. ELECTRICAL:  
 A. IMPEDANCE: 50 OHM  
 B. FREQUENCY RANGE: DC -40 GHz  
 C. VSWR : 1.15:1 MAX @ DC -10 GHz  
           1.25:1 MAX @ 10 GHz -26.5 GHz  
           1.35:1 MAX @ 26.5 GHz -40 GHz
3. MECHANICAL:  
 A. DURABILITY: 100 MATING CYCLES MIN.  
 B. TEMPERATURE RANGE: -65° C TO +165° C
4. PACKAGING:  
 A. QUANTITY: SINGLE PACK  
 B. MARKING: BAG TO BE MARKED  
           "AMPHENOL RF, 925-135J-51S, AND DATE CODE"
5. CABLE ASSEMBLY INSTRUCTIONS.  
 A. TRIM CABLE AS SHOWN.  
 B. SLIDE INSULATOR DISC OVER THE CABLE CENTER CONDUCTOR.  
 C. SOLDER CENTER CONTACT TO CABLE CENTER CONDUCTOR.  
 D. INSERT CONTACT TO INSULATOR UNTIL CONTACT BOTTOMS.  
 E. SOLDER OUTER CONDUCTOR OF CABLE TO REAR BODY.

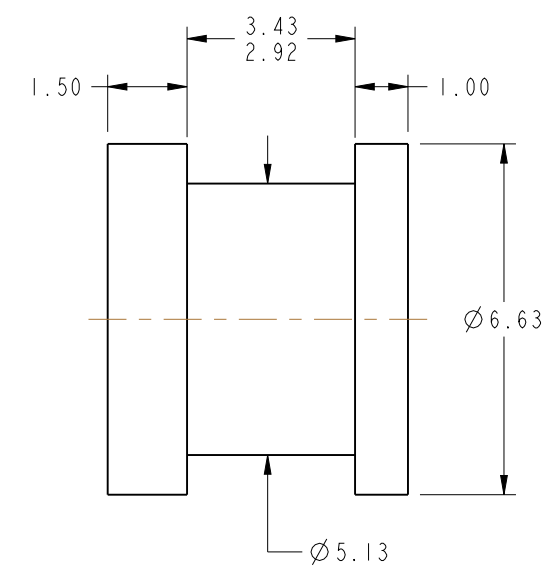
THIRD ANGLE PROJ.

REVISIONS

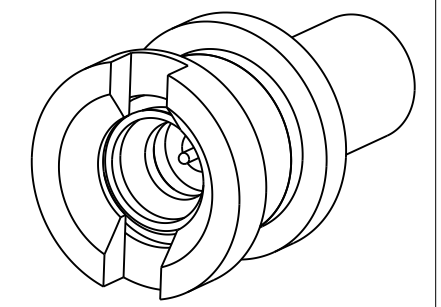
REV	DESCRIPTION	DATE	ECO	APPR
A	RELEASE TO MFG.	09-Sep-16	01850	KR



**RECOMMENDED CABLE STRIPPING DIMENSIONS**

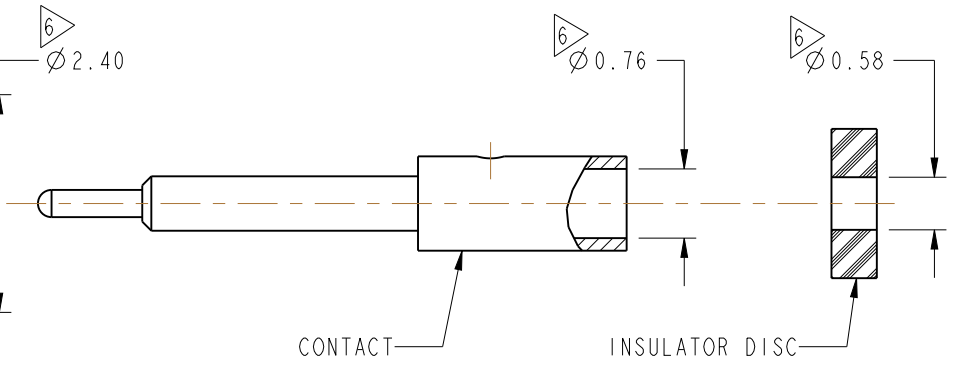
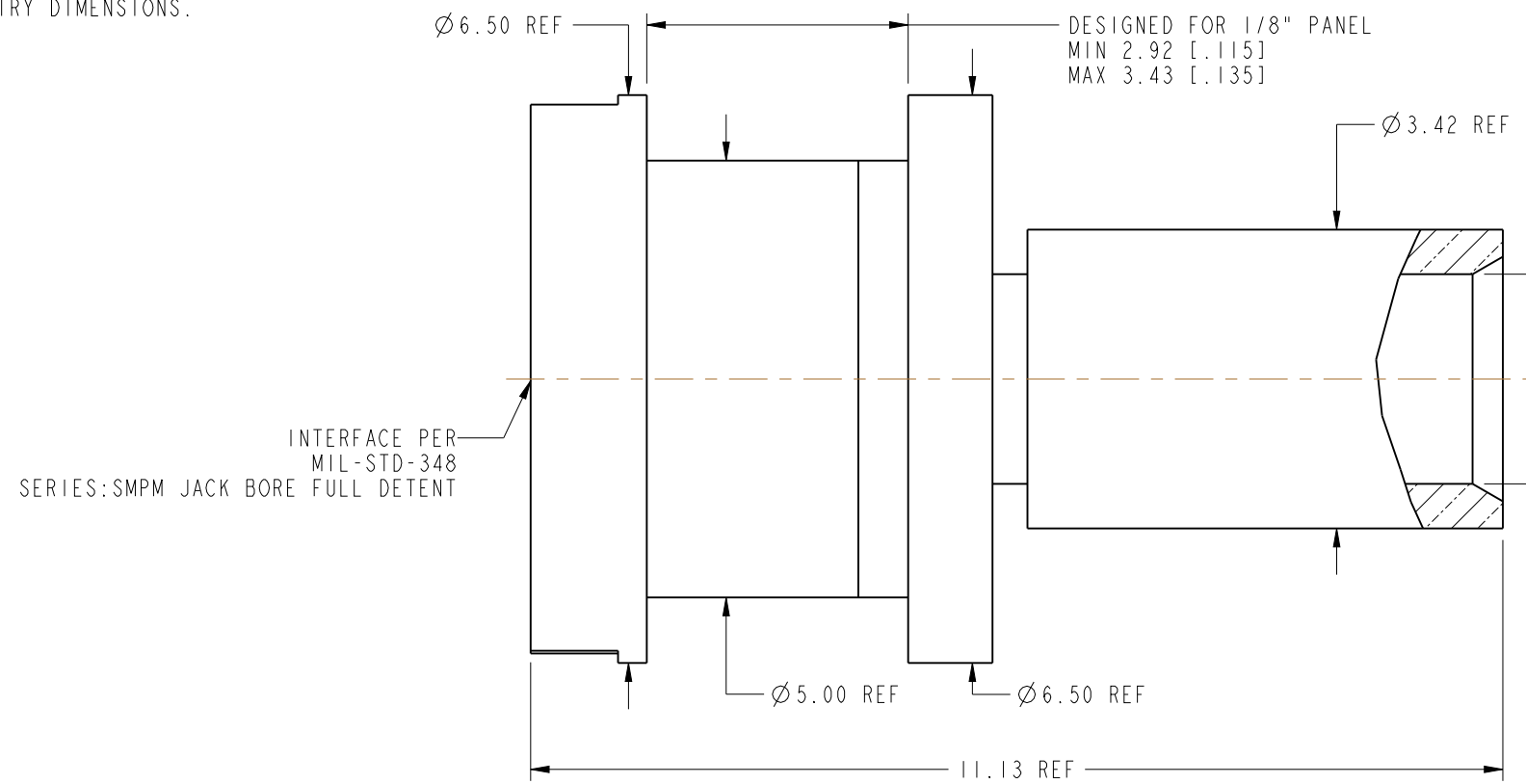


**RECOMMENDED MOUNTING HOLE DIMENSIONS**



SCALE 5.000

SHOWS CABLE ENTRY DIMENSIONS.



**CUSTOMER OUTLINE DRAWING**  
 ALL OTHER SHEETS ARE FOR INTERNAL USE ONLY

UNLESS OTHERWISE SPECIFIED, DIMENSIONS ARE IN METRIC AND TOLERANCES ARE: <0.5mm ±0.05mm    0.5 - 6mm ±0.1mm    6 - 30mm ±0.2mm    30 - 120mm ±0.3mm    ANGLES ±1°	MATERIAL	DRAWN	DATE	TITLE SMPM STR JACK BHD FOR 0.086 CABLE	Amphenol RF www.amphenolrf.com
	SEE NOTES	RAJAVIJAYAN S	18-Feb-13		
NOTICE - These drawings, specifications, or other data (1) are, and remain the property of Amphenol corp. (2) must be returned upon request; and (3) are confidential and not to be disclosed to any person other than those to whom they are given by Amphenol Corp. the furnishing of these drawings, specifications, or other data by Amphenol Corp., or to any other person to anyone for any purpose is not to be regarded by implication or otherwise in any manner licensing, granting rights to permitting such holder or any other person to manufacture, use or sell any product, process or design, patented or otherwise, that may in any way be related to or disclosed by said drawings, specifications, or other data.	REFERENCE	ENGINEER	DATE	SCALE: 15.0:1.0 SHEET 2 OF 2	DRAWING NO. 925-135J-51S ITEM NO. 925-135J-51S
	EAR # 5420	E WANKOFF	18-Feb-13		
	CONFIGURATION LEVEL: In Work	APPROVED	DATE		DWG SIZE
FINISH	K. CAPOZZI	09-Sep-16		B	A
					PART NO. 925-135J-51S