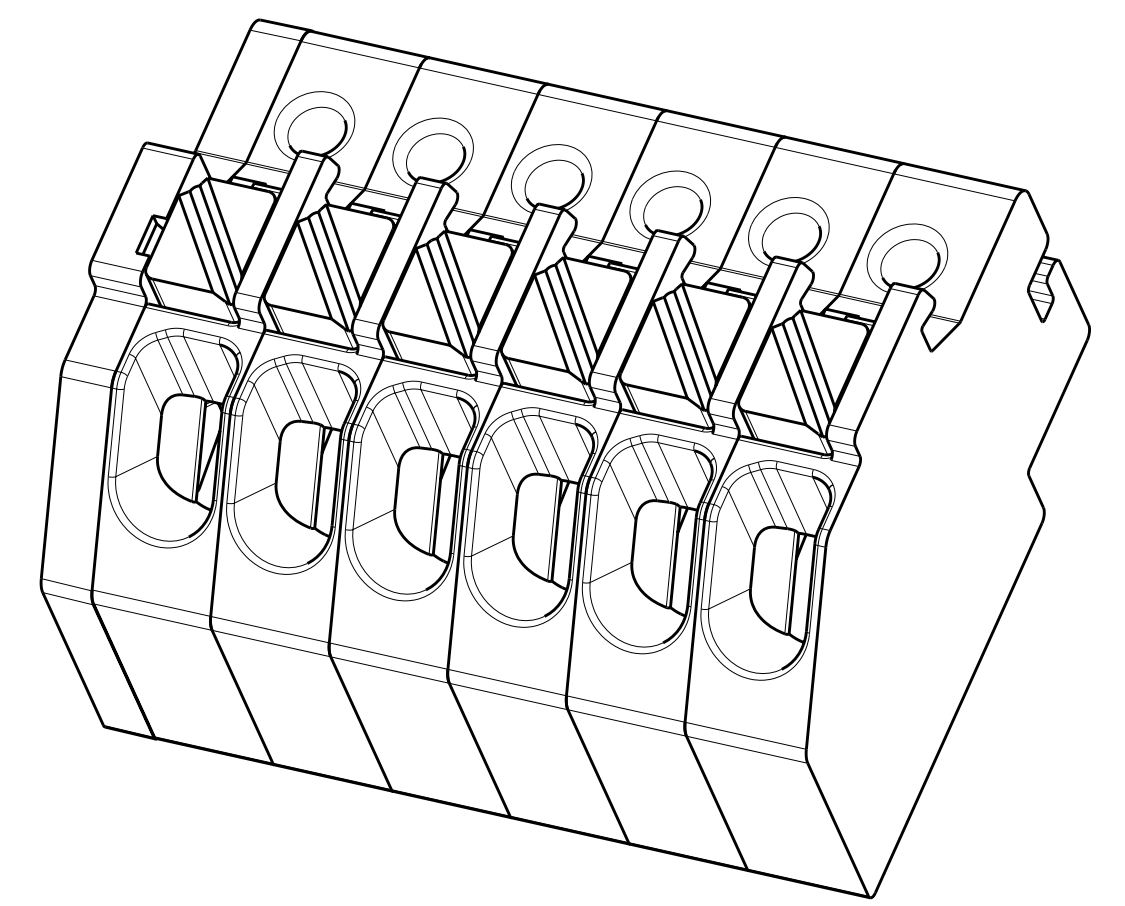
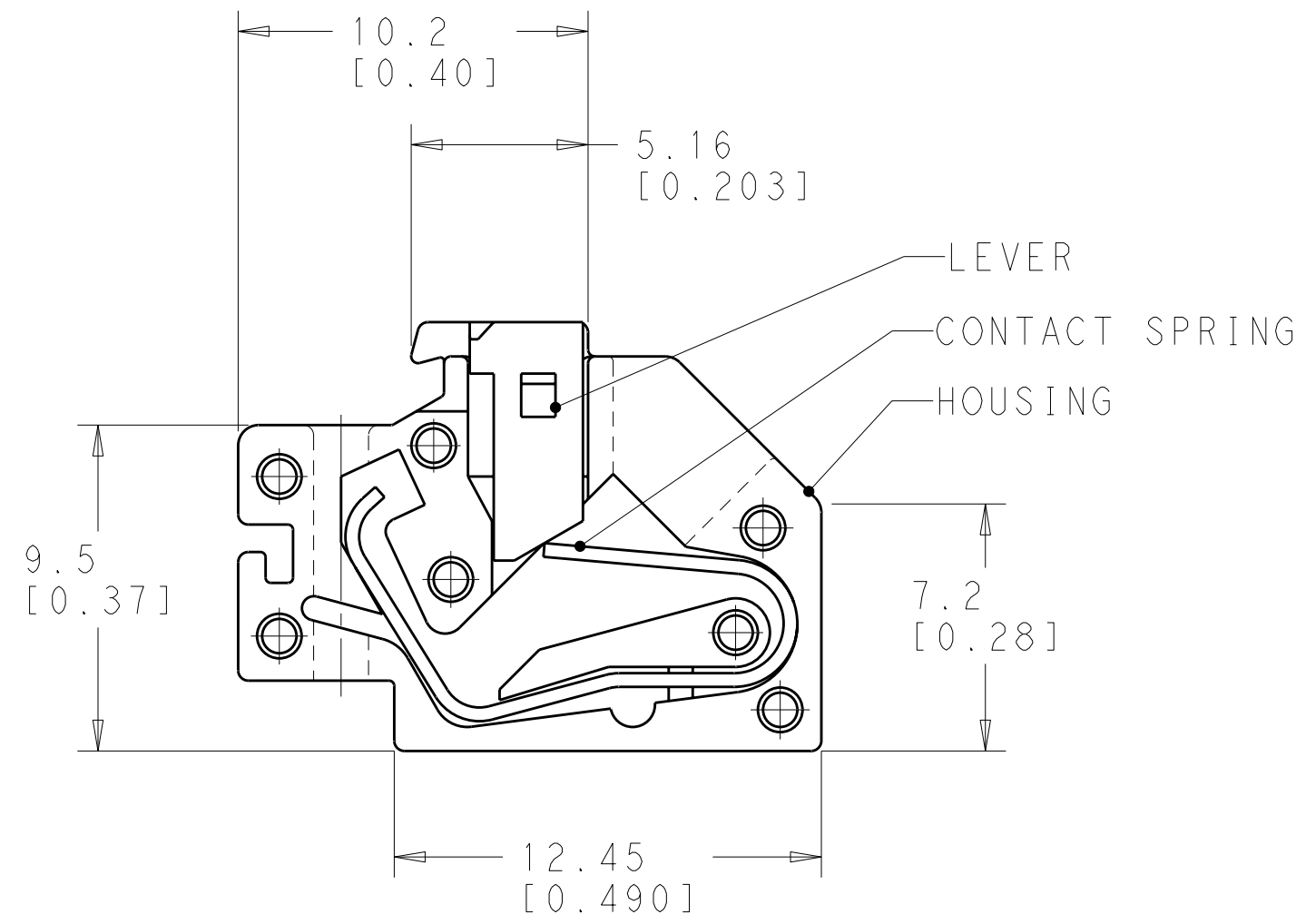
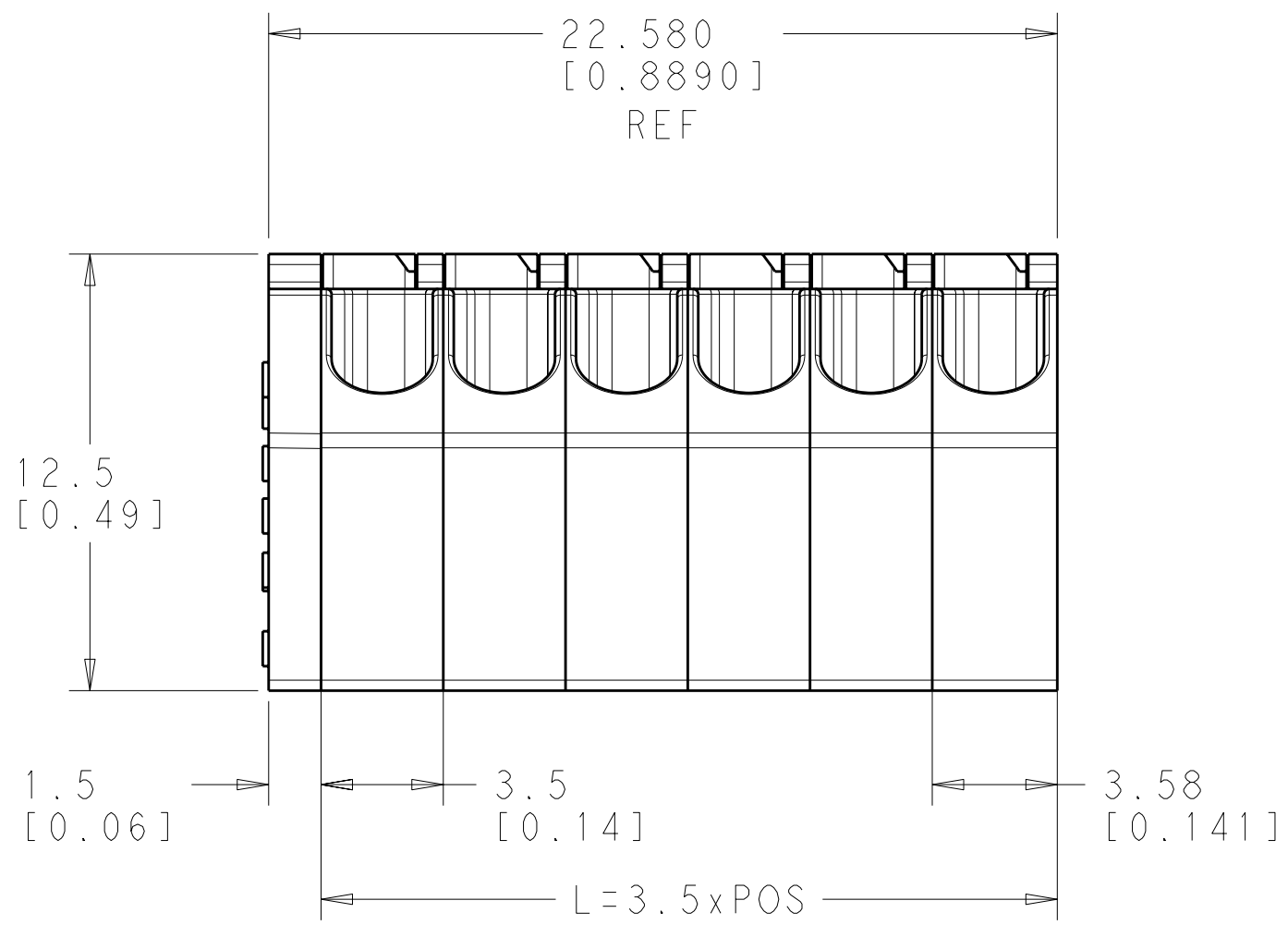


THIS DRAWING IS UNPUBLISHED. RELEASED FOR PUBLICATION 2011
 © COPYRIGHT 2011 ALL RIGHTS RESERVED.

LOC		DIST		REVISIONS			
P	LTR	DESCRIPTION	DATE	DWN	APVD		
	A1	REVISED PER ECO-12-002880	15FEB12	KH	MS		

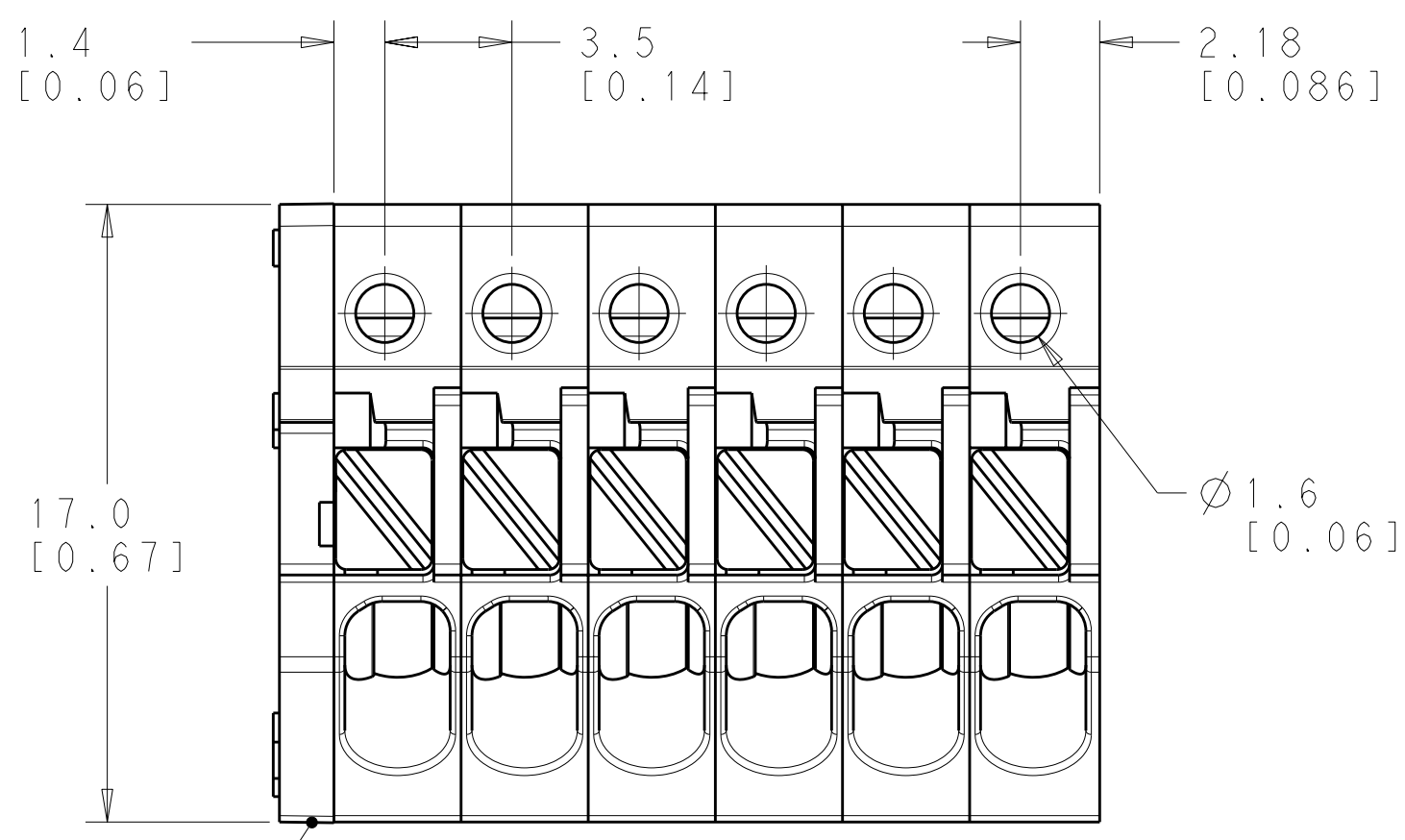


NOTE

MATERIALS:
 HOUSING-POLYAMIDE, COLOR-GREEN
 COVER-POLYAMIDE, COLOR-GREEN
 LEVER-POLYAMIDE, COLOR-ORANGE
 SPRING-STAINLESS STEEL-TIN PLATED

MECHANICAL
 INSERTION FORCE-2.5 N/POLE
 WITHDRAW FORCE-4.5 N/POLE
 STRIP LENGTH-8.5 - 10 MM
 OPERATING TEMPERATURE--40°C TO +110°C

ELECTRICAL
 WIRE RANGE- 20 TO 16 AWG, SOLID OR STRANDED
 VOLTAGE RATING- 150 VOLTS
 CURRENT RATING-2 AMP
 CONTACT RESISTANCE-15 MILLOHM MAX
 INSULATION RESISTANCE-10⁹ OHMS MIN (500V DC)



- 6 AS SHOWN

29.58	8	1986716-8
26.08	7	1986716-7
22.58	6	1986716-6
19.08	5	1986716-5
15.58	4	1986716-4
12.08	3	1986716-3
8.58	2	1986716-2
DIM L	POS	PART NO

COVER

THIS DRAWING IS A CONTROLLED DOCUMENT.

DIMENSIONS: MM [INCH]	TOLERANCES UNLESS OTHERWISE SPECIFIED: 0 PLC ± 1 PLC ±0.20[.008] 2 PLC ±0.20[.008] 3 PLC ± 4 PLC ± ANGLES ±° FINISH	DWN YASHKUMAR 09NOV2011	NAME
		CHK SARVER MICHAEL 09NOV2011	
MATERIAL		APVD SARVER MICHAEL 09NOV2011	PRODUCT SPEC
			APPLICATION SPEC
		WEIGHT	SIZE CAGE CODE DRAWING NO
		CUSTOMER DRAWING	A200779C-1986716

RESTRICTED TO

SCALE 5:1 SHEET 1 OF 1 REV A1