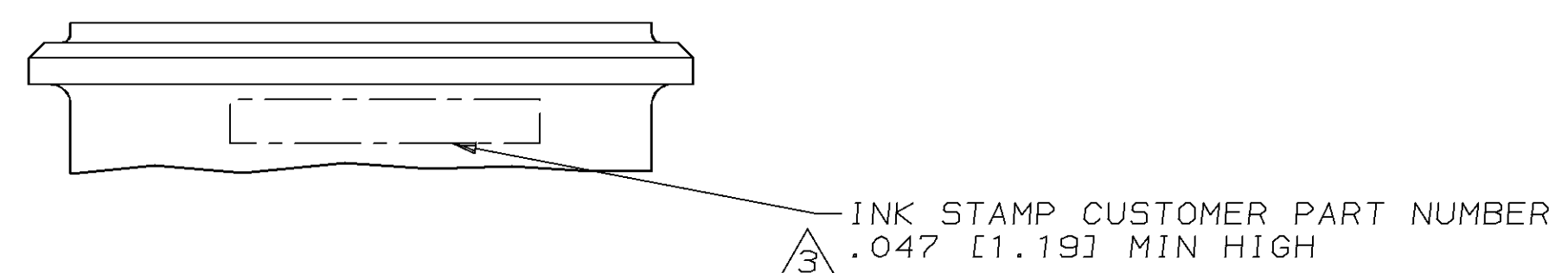
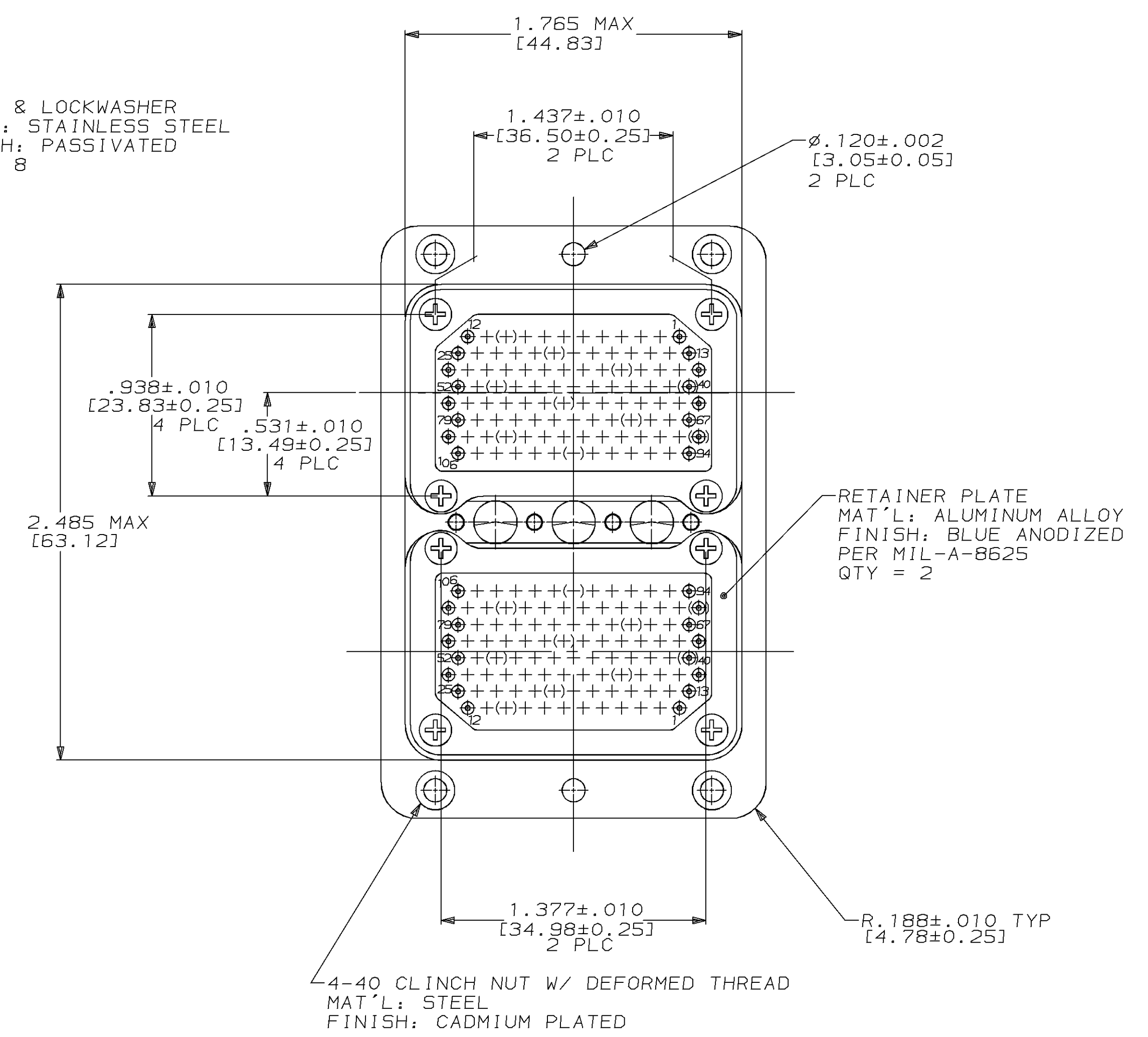
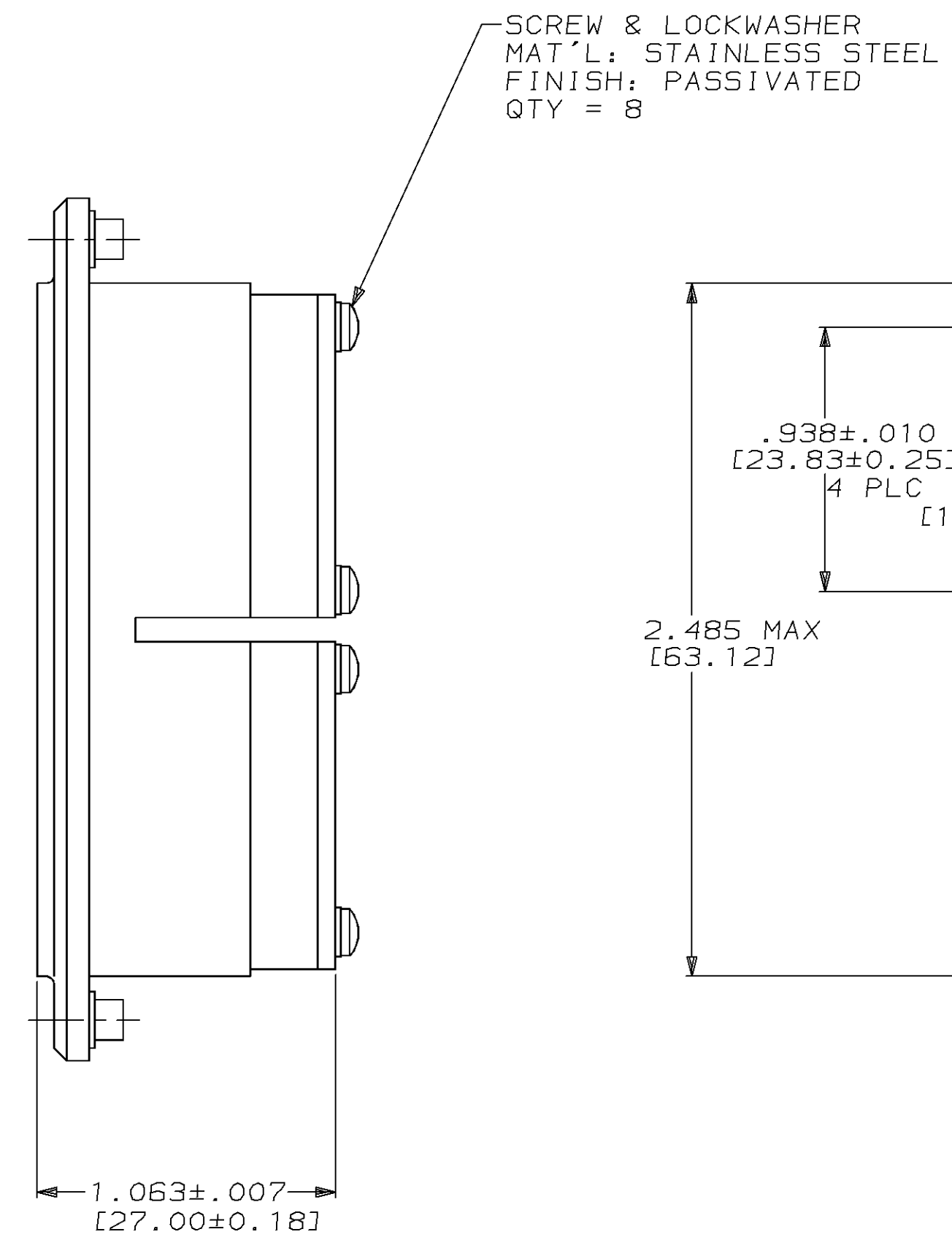
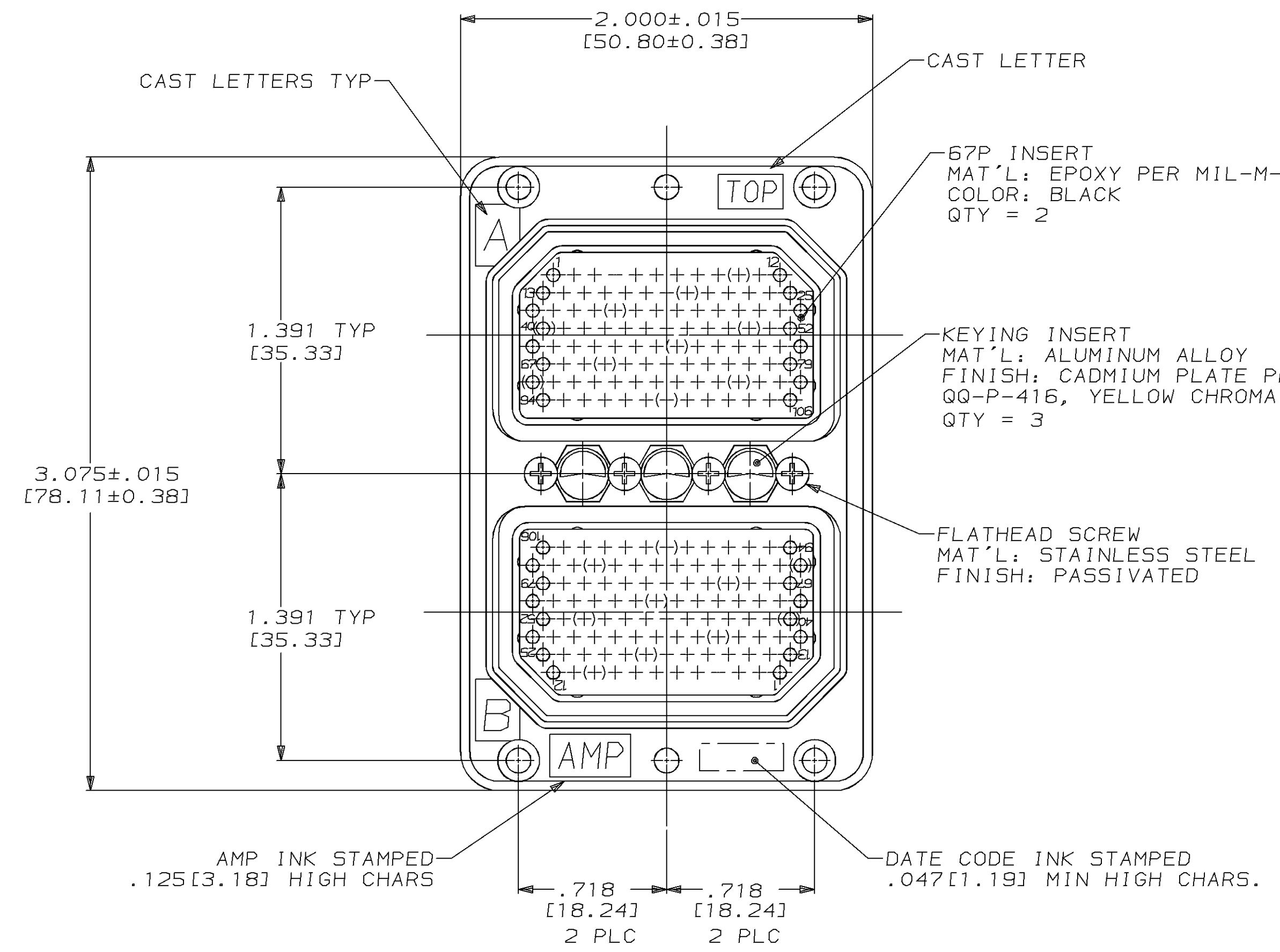
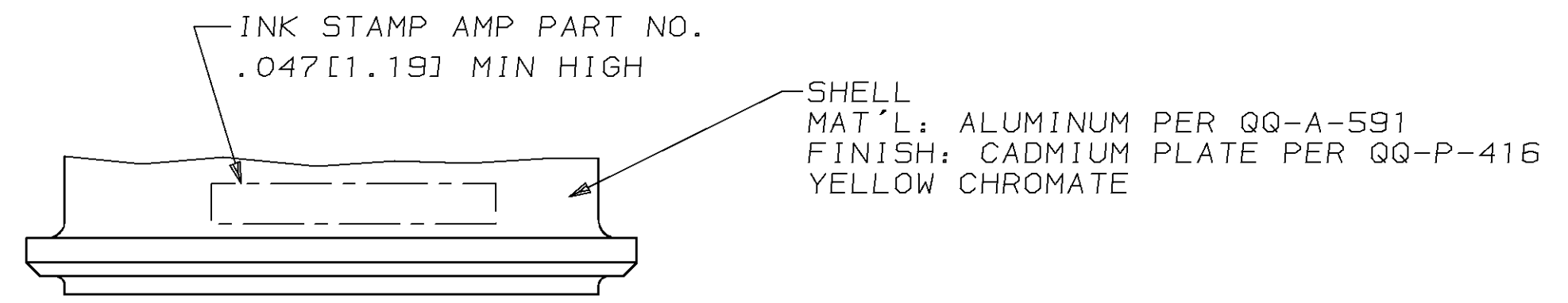


LOC		DIST		REVISIONS			
DF	AO	P	LYR	DESCRIPTION	DATE	DMN	APVD
		0		DRAWN PER 0600-3080-94	12-06-94	TT	KG



- CONTACTS ARE PRELOADED INTO THE CONNECTOR.
- KEYING SHOWN IN POSITION "01".
- THE CONNECTOR SHALL BE MARKED WITH THE MCDONNELL DOUGLAS CONTROL NUMBER "B33B0145-1".

DIMENSIONS		TOLERANCES UNLESS OTHERWISE SPECIFIED		DWN		CHK		APVD		NAME	
(IN)	(MM)	0 PLC	1 PLC	2 PLC	3 PLC	4 PLC	ANGLES	FINISH	WEIGHT	SCALE	SHEET
		±	±	±	±	±	±			2:1	1 OF 1
				I. THOMPSON 12-02-94		K. GUARAGNO 12-02-94		K. GUARAGNO 12-02-94		AMP Incorporated Harrisburg, PA 17105-3608	
				AMP		DUAL RECEPTACLE, ARINC 404, RM2R67P67P-0104		A1 00779		C-443098	
				CUSTOMER DRAWING						REV 0	