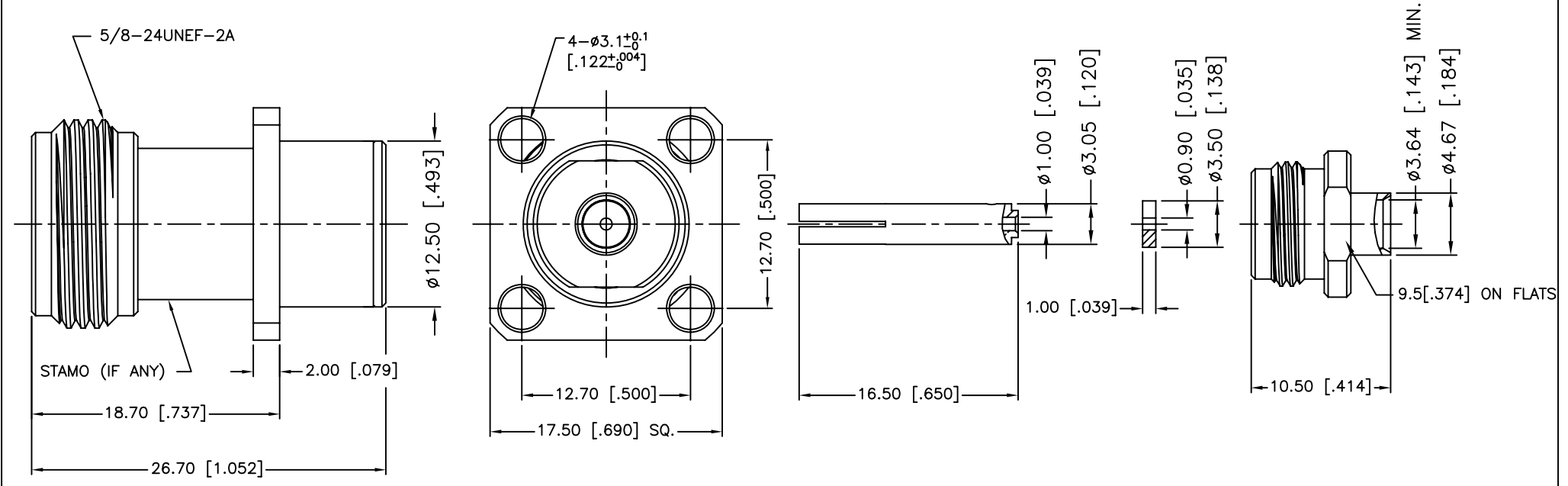
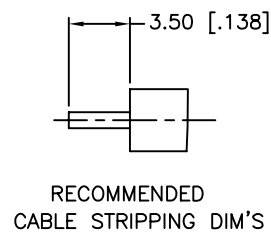


REV.	DATE	ECR NO.	DESCRIPTION
NC	07/30/09	XXXXXX	INITIAL RELEASE



1. CONTACT PIN TO SILDER

6	SOLDER NUT	BRASS	GOLD	1
5	INSULATOR	PTFE	NATURAL	1
4	CONTACT PIN	PHOSPHOR BRONZE	GOLD	1
3	INNER BODY	BRASS	NEXCOTE	1
2	INSULATOR	PTFE	NATURAL	1
1	BODY	BRASS	NEXCOTE	1
	DESCRIPTION	MATERIAL	FINISH	QTY

UNLESS OTHERWISE SPECIFIED DIMENSIONS ARE IN MILLIMETERS. DIMENSIONS IN [] ARE IN INCHES AND FOR CUSTOMER REFERENCE ONLY.

UNLESS OTHERWISE SPECIFIED TOLERANCES FOR MILLIMETERS ARE:
0.5 - 8mm ± 0.20mm
8 - 30mm ± 0.40mm
30 - 120mm ± 0.50mm

UNLESS OTHERWISE SPECIFIED TOLERANCES FOR INCHES ARE:
.020 - .315 = ± 0.007"
.315 - 1.180 = ± 0.015"
1.180 - 4.724 = ± 0.020"

DO NOT SCALE DRAWING

APPROVALS	DATE
DRAWN M.ZHANG	07/30/09
CHECKED	
ISSUED	
SHEET 1 OF 1	
CAD FILE	C:/CONNEX/172170-10.DWG

Amphenol Connex

PART DESCRIPTION
**N PANEL DIRECT SOLDER JACK
(FOR .141" CABLE)**

PART NO. **172170-10**

DWG. NO. 172170-10.DWG REV. NC SIZE A SCALE NA