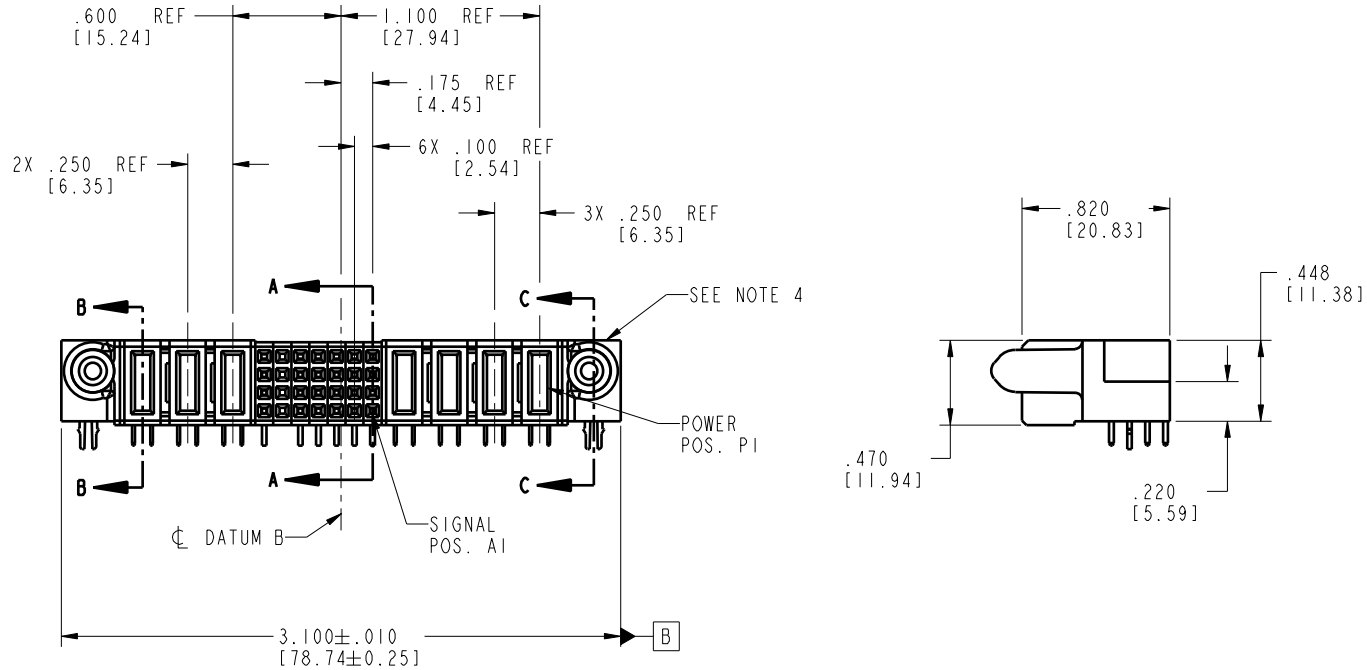
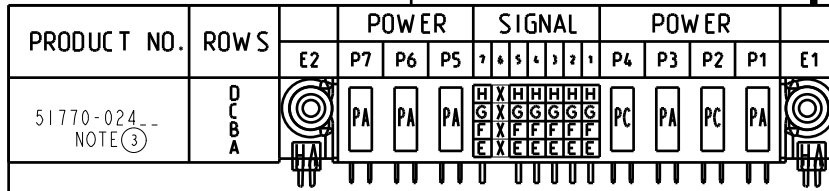


Tous droits strictement réservés. Reproduction ou communication o des liers interdite sous quelque forme que ce soit sans autorisation écrite du propriétaire. Propriété de c FCI. Droits de reproduction FCI.



All rights strictly reserved. Reproduction or issue to third parties in any form whatsoever is not permitted without written authority from the proprietor. Property of FCI. Copyright FCI.



CODE	DIM "M" MATING LENGTH	CONTACT TYPE
H	N/A [N/A]	SIGNAL
G	N/A [N/A]	SIGNAL
F	N/A [N/A]	SIGNAL
E	N/A [N/A]	SIGNAL
HA	N/A [N/A]	HOLD-DOWN
PA	.042 [1.07]	POWER
PC	.092 [2.34]	POWER
X	OMITTED	OMITTED

mat'l code SEE NOTE 2				tolerances unless otherwise specified		CUSTOMER		 www.fciconnect.com	
lir	ecr no.	dr	date	linear	linear	COPY			
A	DG06-0040	RYAN	02/09/06		.XX±.01/0.X±0.3	projection		title 4P + 28S + 3P	
					.XXX±.005/0.XX±0.13			R/A STB RECEPTACLE	
					.XXX±.002/0.XXX±0.051	INCH/MM		product family PwrBlade code 213	
					angles 0°±2°	scale 1:1		size A 51770-024 sheet 1 of 4	
					dr RYAN YUAN mm/dlly				
					engr SALLY LUO mm/dlly				
					chr BEER FU mm/dlly				
					opod JOSEPH HSIA mm/dlly				
sheet index	revision	A	A	A	A				
	sheet	1	2	3	4				

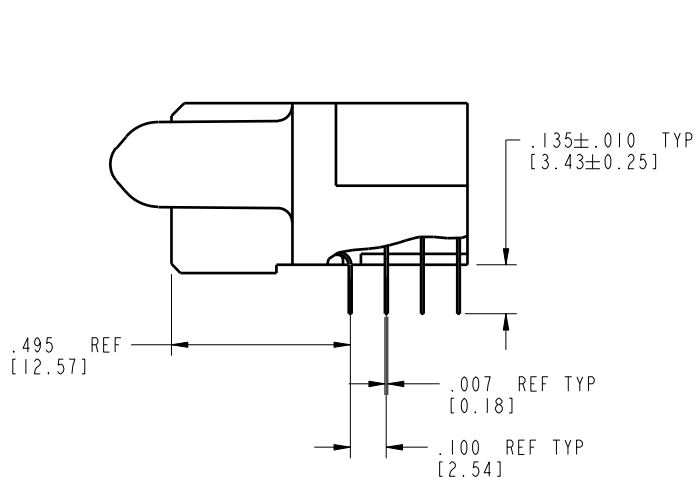
code code 22526

Pro/E

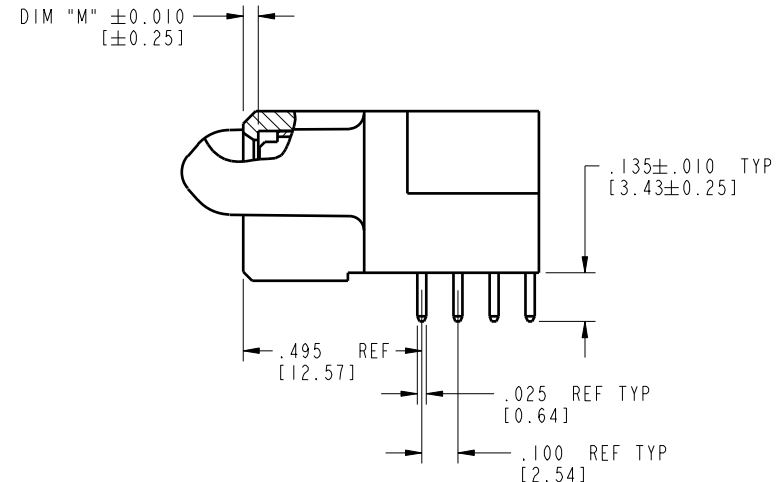
Tous droits strictement réservés. Reproduction ou communication à des tiers interdite sans quelque forme que ce soit sans autorisation écrite du propriétaire. Propriété de c FCI. Droits de reproduction FCI.

All rights strictly reserved. Reproduction or issue to third parties in any form whatsoever is not permitted without written authority from the proprietor. Property of FCI. Copyright FCI.

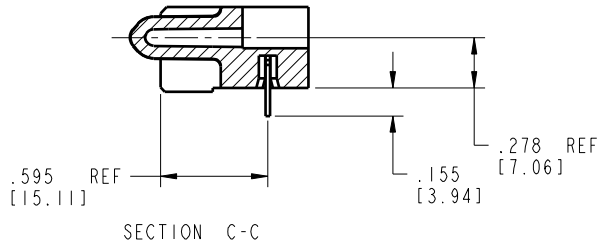
PRODUCT NUMBER
51770-024--
NOTE ③



BROKEN-OUT SECTION A-A
SCALE 2:1



BROKEN-OUT SECTION B-B
SCALE 2:1



SECTION C-C

mat'l code				SEE NOTE 2	tolerances unless otherwise specified		CUSTOMER		 www.fciconnect.com
lir	ecn no.	dr	date	linear	.XX±.01/0.X±0.3	COPY		projection	
A				angles	.XXX±.005/0.XX±0.13	INCH/MM		title	
				dr	.XXX±.002/0.XXX±0.051	scale		4P + 28S + 3P	
				engr	0° ± 2°	1:1		R/A STB RECEPTACLE	
				chr	RYAN YUAN mm/dl/yy	product family		PwrBlade	
				appd	SALLY LUO mm/dl/yy	size		code	
					BEER FU mm/dl/yy	A		213	
					JOSEPH HSIA mm/dl/yy	51770-024		sheet	
sheet index	revision sheet							2 of 4	

code code 22526

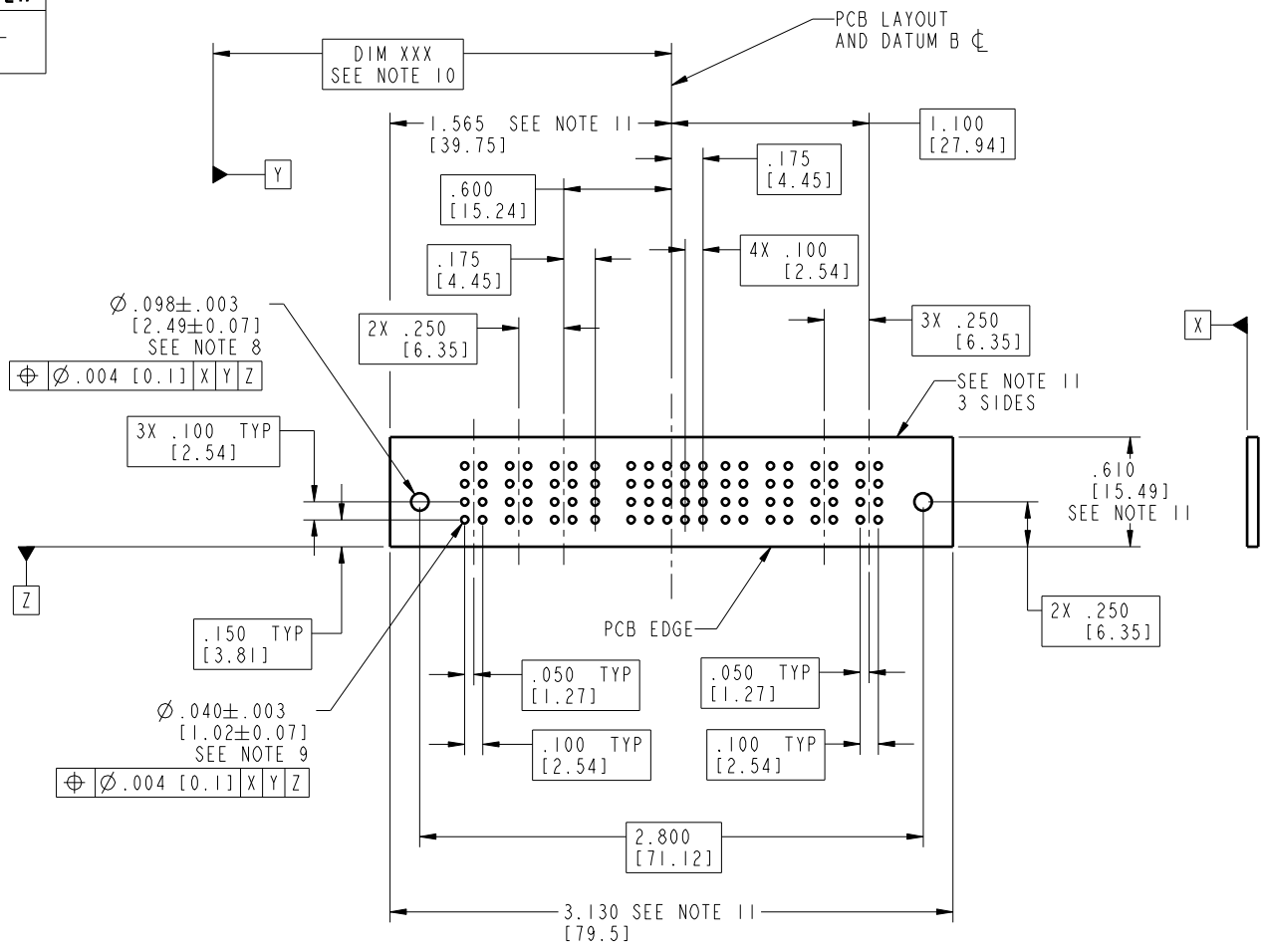
Pro/E

Tous droits strictement réservés. Reproduction ou communication à des tiers interdite sans quelque forme que ce soit sans autorisation écrite du propriétaire. Propriété de c FCI. Droits de reproduction FCI.

All rights strictly reserved. Reproduction or issue to third parties in any form whatsoever is not permitted without written authority from the proprietor. Property of FCI. Copyright FCI.



PRODUCT NUMBER
51770-024--
NOTE ③



mat'l code		SEE NOTE 2		tolerances unless otherwise specified		CUSTOMER		 www.fciconnect.com	
lir	ecn no.	dr	date	linear	.XX±.01/0.X±0.3	COPY			
A				angles	.XXX±.005/0.XX±0.13	 INCH/MM		title	4P + 28S + 3P
				dr	.XXX±.002/0.XXX±0.051			scale	1:1
				eng	RYAN YUAN mm/dlly	product family		PwrBlade	code
				chr	SALLY LUO mm/dlly	size		A	213
				appd	BEER FU mm/dlly	dwg no		51770-024	sheet
					JOSEPH HSIA mm/dlly	code		22526	3 of 4
sheet index	revision sheet								

Pro/E

code code 22526

Tous droits strictement réservés. Reproduction ou communication o des liers interdite sous quelque forme que ce soit sans autorisation écrite du propriétaire. Propriété de c FCI. Droits de reproduction FCI.



All rights strictly reserved. Reproduction or issue to third parties in any form whatsoever is not permitted without written authority from the proprietor. Property of FCI. Copyright FCI.

PRODUCT NUMBER
51770-024--
NOTE ③

- NOTES:
- DIMENSIONS AND TOLERANCES ARE IN ACCORDANCE WITH ASME Y14.5M, 1994 UNLESS OTHERWISE SPECIFIED.
- CONNECTOR NOTES:
- HOUSING MATERIAL: UL 94 V-0 GLASS FILLED HIGH-TEMP THERMOPLASTIC
POWER CONTACT MATERIAL: COPPER ALLOY
SIGNAL PIN MATERIAL: COPPER ALLOY
 - PLATING:
SEE PRINT 10064183 FOR PLATING SPEC OF 51770-024; 51770-024LF
 - MANUFACTURER'S NAME, P/N, AND DATE CODE TO APPEAR ON THIS SURFACE.
 - PRODUCT SPECIFICATION GS-12-149.
APPLICATION SPECIFICATION BUS-20-067.
 - PACKAGED IN TRAYS.
- PCB NOTES:
- ALL HOLE DIAMETERS ARE FINISHED HOLE SIZE.
 - MOUNTING HOLES, WHERE APPLICABLE, ARE UNPLATED.
 - $\varnothing .0453 \pm .0010$ [1.151 ± 0.025] DRILLED HOLES PLATED WITH
.0003 [0.008] MIN SnPb OVER .001 [0.03]
TO .003 [0.08] Cu PLATING TO ACHIEVE
 $\varnothing .040 \pm .003$ [1.02 ± .07] HOLE.
 - "DIM XXX" TO BE DETERMINED BY THE CUSTOMER.
 - CONNECTOR KEEP-OUT ZONE.

mat'l code		SEE NOTE 2		tolerances unless otherwise specified		CUSTOMER		 www.fciconnect.com	
lir	ecr no.	dr	date	linear	.XX±.01/0.X±0.3	COPY		projection	title
A					.XXX±.005/0.XX±0.13	INCH/MM			4P + 28S + 3P R/A STB RECEPTACLE
				angles	.XXX±.002/0.XXX±0.051	scale		product family	code
				dr	0° ± 2°	1:1		PwrBlade	213
				engr	RYAN YUAN mm/dd/yy	size		dwg no	sheet
				chr	SALLY LUO mm/dd/yy	A		51770-024	4 of 4
				opod	BEER FU mm/dd/yy				
					JOSEPH HSIA mm/dd/yy				
sheet index	revision sheet								

code code 22526