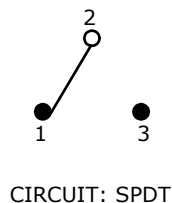
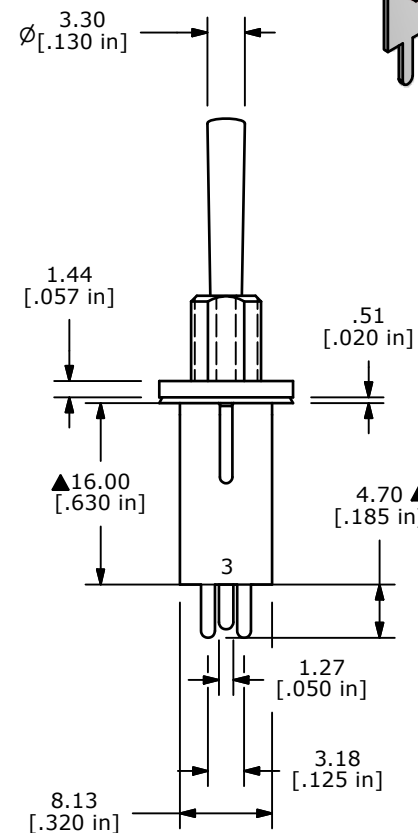
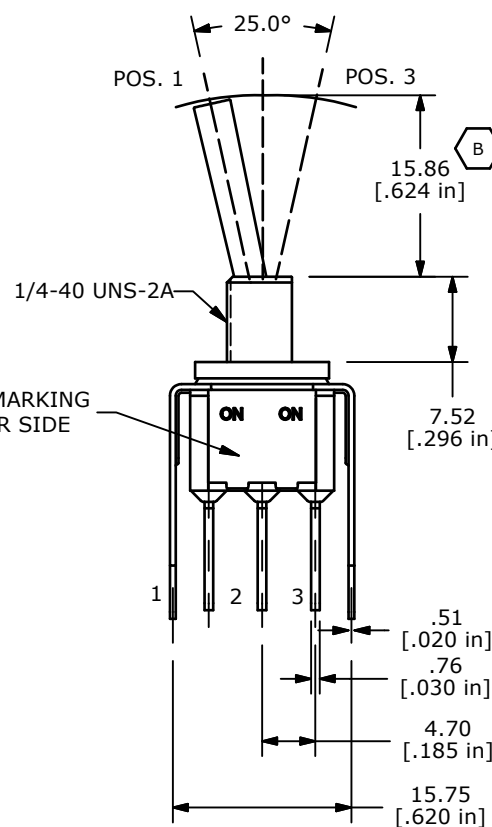


SWITCH FUNCTION	
POS. 1	POS. 3
ON	ON
2-3	2-1



- NOTE:
1. ALL DIMENSIONS IN MM [INCH]
 2. GENERAL TOLERANCE: X.X=±0.4
X.XX=±0.25
 3. TERMINAL NUMBERS FOR REF ONLY
 - ▲4. PLATING MATERIAL: GOLD
 - ▲5. RATING: 0.4 (VA) Max. @20V Max. (AC or DC)
 6. ELECTRIC LIFE: 40,000 MAKE-AND-BREAK CYCLES AT FULL LOAD.
 7. INSULATION RESISTANCE: 1,000 MEGA-OHM MIN.
 8. DIELECTRIC STRENGTH: 1,000 V RMS @SEA LEVEL.
 9. OPERATING TEMP.: -30°C to 85°C
 10. HARDWARE TO BE SHIPPED BULK
T100000 - HEXNUT - QTY 2
T100011 - LOCKWASHER - QTY 1
T100002 - LOCKRING - QTY 1
T100016 - O-RING - QTY 1
 11. ▲ DENOTES CRITICAL PARAMETER.
 12. 2002/95/EC (ROHS) COMPLIANT



B	20076	UPDATE ACTUATOR HEIGHT	08/02/11	BMA
A	20058	NEW PART RELEASE	07/12/11	BMA
REV	PCR NO	DESCRIPTION	DATE	BY

TITLE 100SP1T4B9VS3REH				
SCALE	DATE	DR	DWG	REV
1.5:1	7/12/2011	BMA	ST103018	B

THE INFORMATION CONTAINED IN THIS DOCUMENT IS PROPRIETARY TO E-SWITCH AND IS NOT TO BE COPIED OR TRANSFERRED