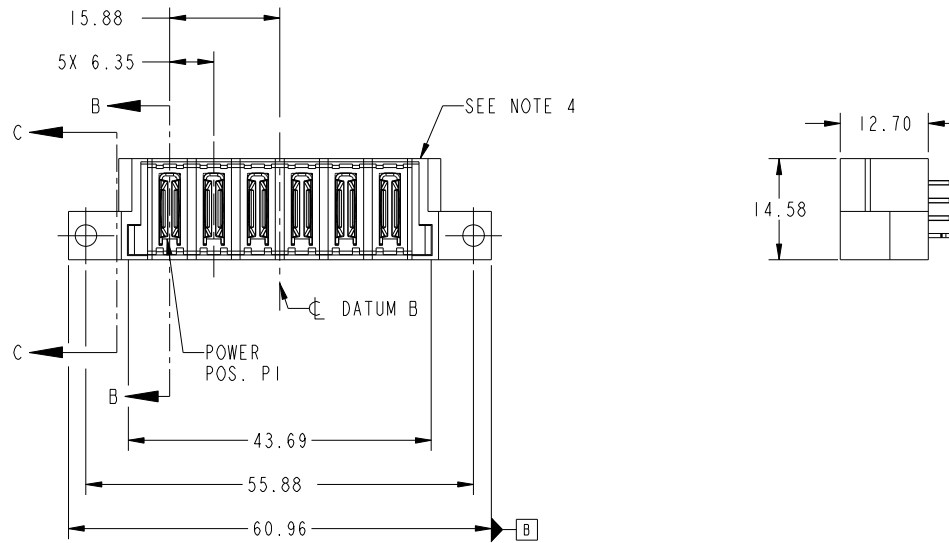


Tous droits strictement reserves. Reproduction ou communication a des tiers interdite sous quelque forme que ce soit sans autorisation écrite du propriétaire. Propriete de c FCI. Droits de reproduction FCI.

All rights strictly reserved. Reproduction or issue to third parties in any form whatever is not permitted without written authority from the proprietor. Property of FCI. Copyright FCI.



PRODUCT NO.	POWER						E2
	E1	P1	P2	P3	P4	P5	
51963-060	HA	PA	PA	PA	PA	PA	PA
NOTE ③							



CODE	DIM "M" MATING LENGTH	CONTACT TYPE
PA	[6.68]	POWER PIN
HA	[N/A]	HOWN-DOWN

mat'l code				tolerances unless otherwise specified		CUSTOMER		FCI	
ltr	ecn no.	dr	date	linear	0.X ±0.5	COPY		www.fciconnect.com	
A	DG10-0272	WL	07/22/10	angles	0.XX ±0.25	projection		title	
					0.XXX ±0.1	MIM		6P	
				dr	0° ±2°	scale		VERTICAL SOLDER HEADER	
				enr	WL ZHANG 07/23/10	1:1		product family	
				chr	WL ZHANG 07/23/10	A		PwrBlade	
				appd	PM ZHENG 07/23/10			code	
					JOSEPH HSIA 07/23/10			213	
sheet index	revision sheet	A	A	A	A			size	
1	2	3	4					dwg no	
								51963-060	
								sheet	
								1 of 4	

cage code 22526

Tous droits strictement reserves. Reproduction ou communication a des tiers interdite sous quelque forme que ce soit sans autorisation écrite du propriétaire. Propriete de c FCI. Droits de reproduction FCI.



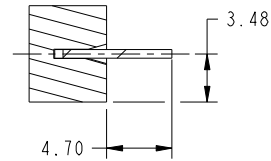
All rights strictly reserved. Reproduction or issue to third parties in any form whatever is not permitted without written authority from the proprietor. Property of FCI. Copyright FCI.

PRODUCT NUMBER
51963-060__
NOTE 3

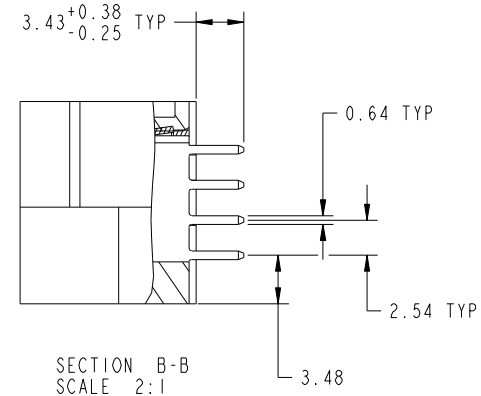
1 | 2

3 |

4



SECTION C-C
SCALE 2:1



SECTION B-B
SCALE 2:1

mat'l code				tolerances unless otherwise specified		CUSTOMER		FCI	
ltr	ecr no.	dr	date	linear	0.X ±0.5	COPY		www.fciconnect.com	
A				linear	0.XX ±0.25	projection		title	
				angles	0.XXX ±0.1			6P VERTICAL SOLDER HEADER	
				dr	0° ±2°			product family PwrBlade code	
				enr	WL ZHANG 07/23/10	scale		size	
				chr	WL ZHANG 07/23/10	1:1		dwg no	
				appd	PM ZHENG 07/23/10			51963-060	
					JOSEPH HSIA 07/23/10			sheet	
sheet index		revision sheet						2 of 4	

cage code 22526

Pro/E

3 |

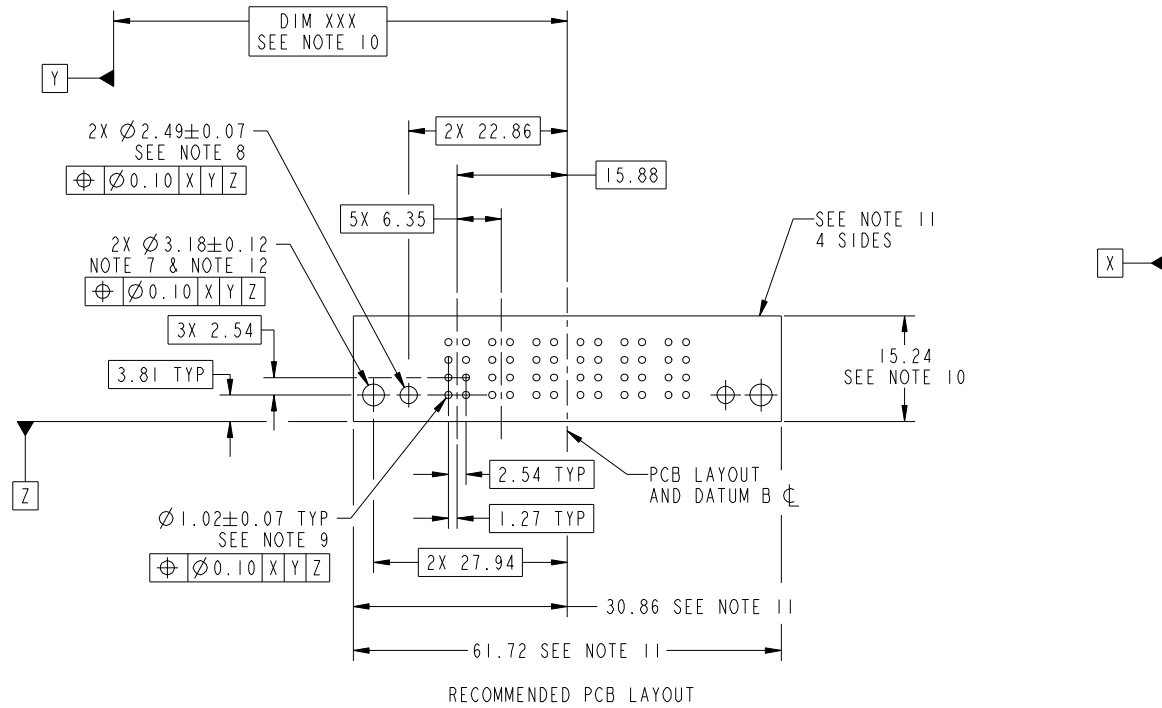
4

Tous droits strictement reserves. Reproduction ou communication a des tiers interdite sous quelque forme que ce soit sans autorisation écrite du propriétaire. Propriete de c FCI. Droits de reproduction FCI.



All rights strictly reserved. Reproduction or issue to third parties in any form whatever is not permitted without written authority from the proprietor. Property of FCI. Copyright FCI.

PRODUCT NUMBER
51963-060__
NOTE 3



mat'l code				tolerances unless otherwise specified		CUSTOMER		FCI	
ltr	ecn no.	dr	date	linear	0.X ± 0.5	COPY		www.fciconnect.com	
A					0.XX ± 0.25	projection		title	
				angles	0.XXX ± 0.1			6P	
				dr	0° ± 2°			VERTICAL SOLDER HEADER	
				enrg	WL ZHANG 07/23/10	product family		PwrBlade	code
				chr	WL ZHANG 07/23/10	size		213	
				appd	PM ZHENG 07/23/10	scale		3 of 4	
					JOSEPH HSIA 07/23/10	1:1		51963-060	
sheet index	revision sheet					A		3 of 4	

cage code 22526

Pro/E

Tous droits strictement reserves. Reproduction ou communication a des tiers interdite sous quelque forme que ce soit sans autorisation écrite du propriétaire. Propriete de c FCI. Droits de reproduction FCI.



All rights strictly reserved. Reproduction or issue to third parties in any form whatever is not permitted without written authority from the proprietor. Property of FCI. Copyright FCI.

PRODUCT NUMBER
51963-060--
NOTE 3

NOTES:

1. DIMENSIONS AND TOLERANCES ARE IN ACCORDANCE WITH ASME Y14.5M, 1994 UNLESS OTHERWISE SPECIFIED.

CONNECTOR NOTES:

- 2 HOUSING MATERIAL: UL 94 V-0 GLASS FILLED HIGH-TEMP THERMOPLASTIC
POWER CONTACT MATERIAL: COPPER ALLOY
SIGNAL PIN MATERIAL: COPPER ALLOY
- 3. SEE ITEM 1 & 2 IN PRINT 10064183 FOR PLATING SPEC OF 51963-060 AND 51963-060LF RESPECTIVELY.
- 4 MANUFACTURER'S NAME, DATE CODE AND OPTIONAL P/N TO APPEAR ON THIS SURFACE. THE P/N CAN BE OMITTED IF THERE IS NOT ENOUGH SPACE ON THIS SURFACE.
- 5. PRODUCT SPECIFICATION GS-12-149.
APPLICATION SPECIFICATION BUS-20-067.
- 6. PACKAGED IN TRAYS.

PCB NOTES:

- 7. ALL HOLE DIAMETERS ARE FINISHED HOLE SIZE.
- 8. MOUNTING HOLES, WHERE APPLICABLE, ARE UNPLATED.
- 9 $\varnothing 1.151 \pm 0.025$ DRILLED HOLES PLATED WITH 0.008 MIN SnPb OR Sn OVER .001 [0.03] TO 0.08 Cu PLATING TO ACHIEVE $\varnothing 1.02 \pm 0.07$ HOLE.
- 10 "DIM XXX" TO BE DETERMINED BY THE CUSTOMER.
- 11 CONNECTOR KEEP-OUT ZONE.
- 12. CUSTOMER SUPPLIES (2) #4-40 UNC SCREW, HARDWARE TO MOUNT HEADER TO PC BOARD.

mat'l code				tolerances unless otherwise specified		CUSTOMER		FCI		www.fciconnect.com	
ltr	ecr no.	dr	date	linear	0.X ± 0.5		COPY		title 6P VERTICAL SOLDER HEADER		
A					0.XX ± 0.25		projection				
					0.XXX ± 0.1						
				angles	0° ± 2°				product family PwrBlade code		
				dr	WL ZHANG	07/23/10	scale		size	dwg no	213
				enr	WL ZHANG	07/23/10	1:1		A	51963-060	sheet
				chr	PM ZHENG	07/23/10			4 of 4		
				appd	JOSEPH HSIA	07/23/10					
sheet index	revision sheet										

cage code 22526

Pro/E