

PART NAME: KNOB SCALE: 1:1 DATE: 10/18/96 DR. BY HD

THIS DRAWING IS THE PROPERTY OF DAVIES MOLDING COMPANY, IS SUBMITTED SOLELY AS A DESIGN OR ENGINEERING PROJECT. WE ACCEPT NO RESPONSIBILITY WHATSOEVER FOR THE PRACTICAL APPLICATION OF THE PIECES MADE TO THIS DESIGN.



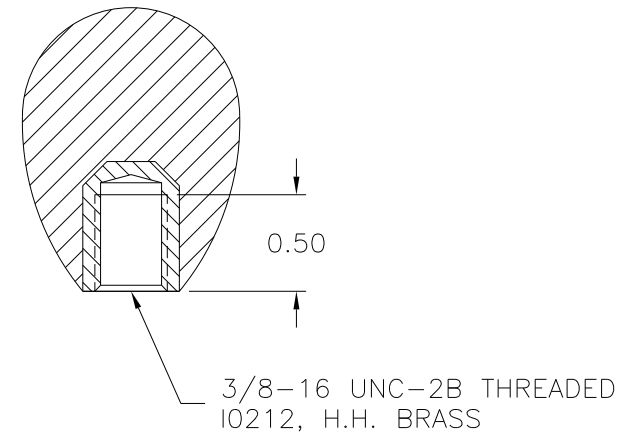
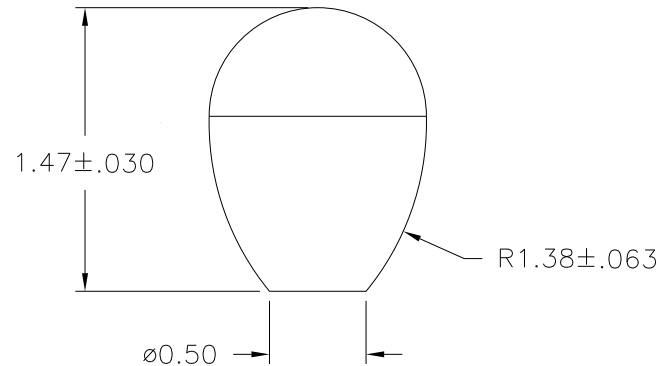
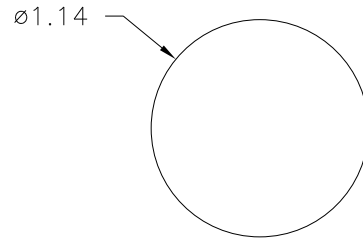
DESIGNERS & MANUFACTURERS OF KNOBS, HANDLES, CASES & CUSTOM PLASTIC COMPONENTS

P/N 0073-E

M^{NO.} 3220

| | |
|-------------|--------|
| CAVITY | 0073 |
| PLUNGER | 0073 |
| SHIM | .031 |
| LANDING BAR | .125 |
| PIN | 0073-E |
| INSERT | I0212 |
| | |

Ⓐ
Ⓑ



Ⓒ
MATERIAL: 04311 PHENOLIC (B41)
COLOR: BLACK

| | | | | | |
|---|----------------------------------|---------|-----------------------------|-----|----------|
| TOLERANCES: UNLESS OTHERWISE SPECIFIED | DO NOT SCALE DRAWING | C | WAS #2511 PHENOLIC (B11) | JAM | 9/23/08 |
| | | - | REDRAWN | TL | 10/29/99 |
| DECIMALS: X.XXX ± .005 X.XX ± .015 | MM: X.XX ± 0.15MM X.X ± 0.4MM | B | LANDING BAR ADDED | HD | 8/21/97 |
| | | A | SHIM ADDED | HD | 2/6/97 |
| FRACTIONS ± 1/64 | ANG. ± 1° | CHANGES | | | |